



Memphis Pro Cart ITC 3
 IntelliBurn Technology™
Model Number VG0001S

Clearance to Combustibles	2
Grill Dimensions	3
Memphis Controller Diagram	4
Memphis Component Diagram	5
Memphis Fuse Diagram	6

Read all instructions before installing and using this appliance

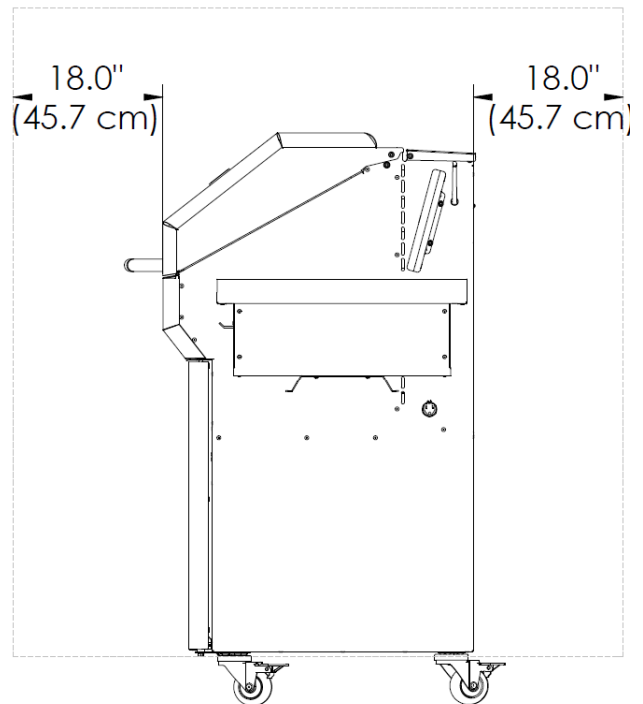
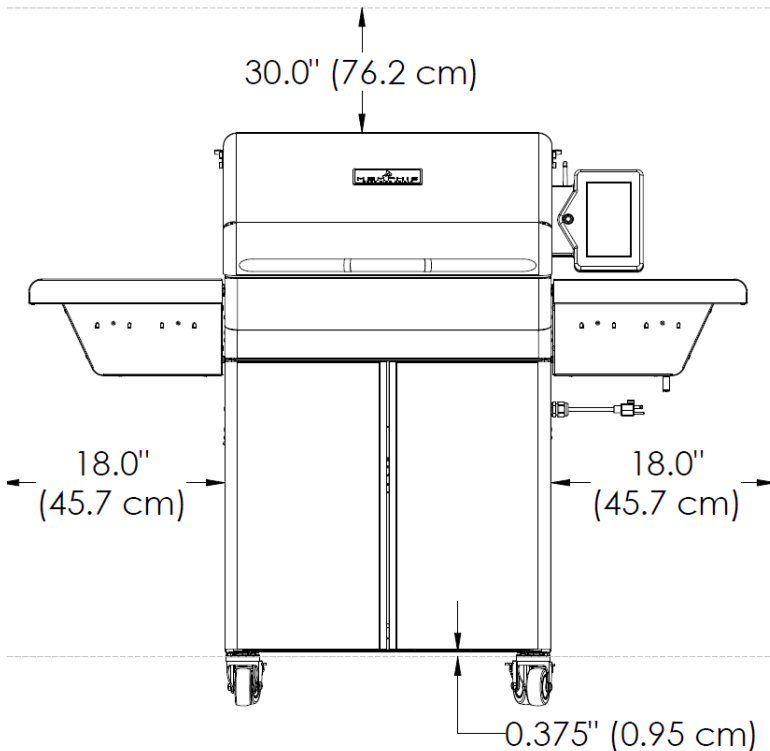
Save these instructions for future reference



Clearance to Combustible Materials

YOUR MEMPHIS GRILL MUST MAINTAIN THE SPECIFIED CLEARANCE TO COMBUSTIBLE MATERIALS WHILE OPERATING THE GRILL OR WHILE THE GRILL IS HOT!

Combustible Material is wood, dry wall, siding or any other material that has to ability to catch fire.



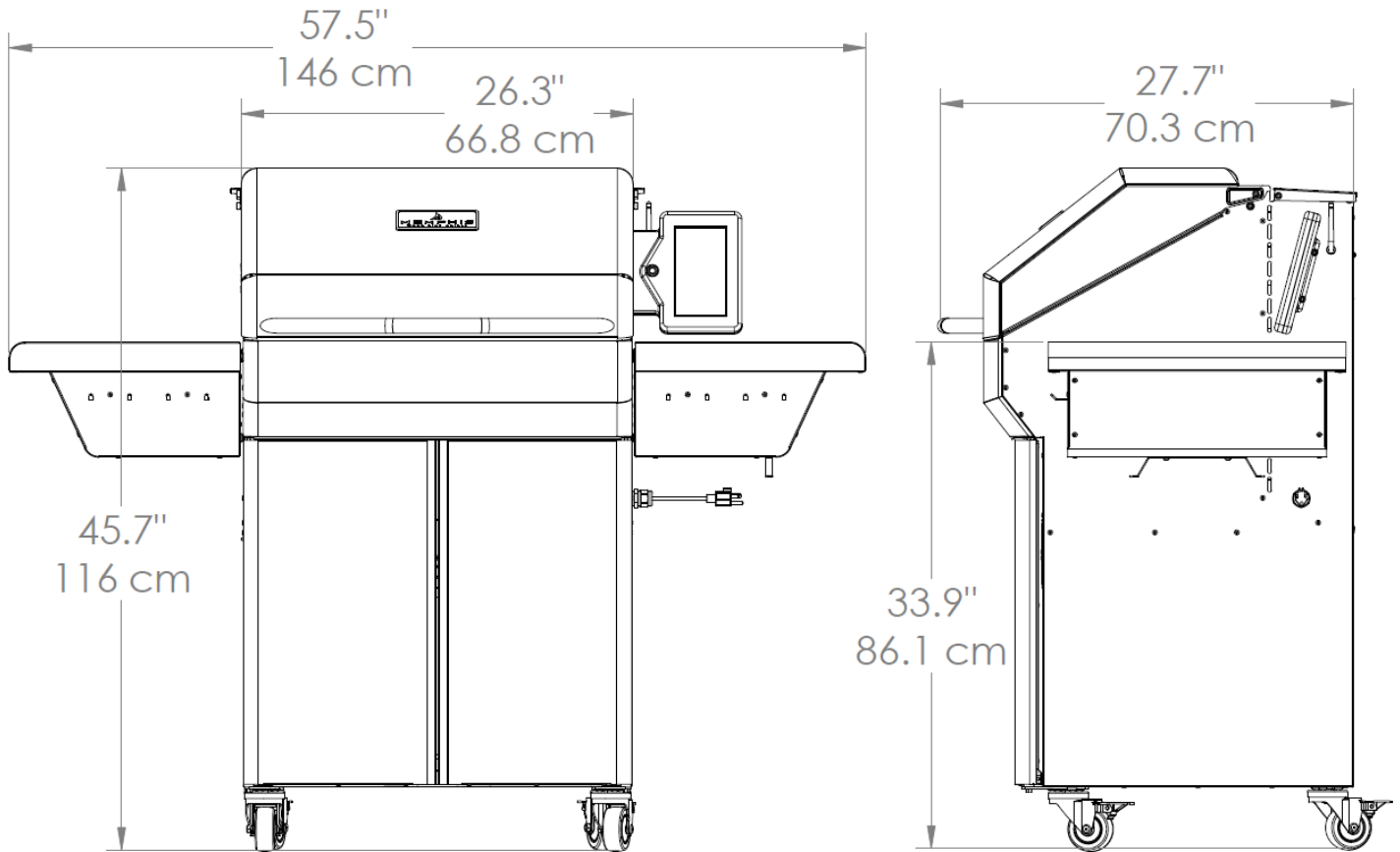
Below are some guidelines to ensure safe operation of your Memphis Grill

- The grill is to be supported by the casters provided.
- Grill casters are to be locked while the grill is in use or while the grill is hot.
- It is recommended that the grill be placed on a non-combustible surface.
- Operating the grill under a combustible ceiling or overhang is NOT recommended.
- Maintain the minimum clearance to combustible materials specified above.

A major cause of fires is failure to maintain required clearances (air spaces) to combustible materials. It is of the utmost importance that this product be installed only in accordance with these instructions.



Grill Dimensions



Other Grill Information

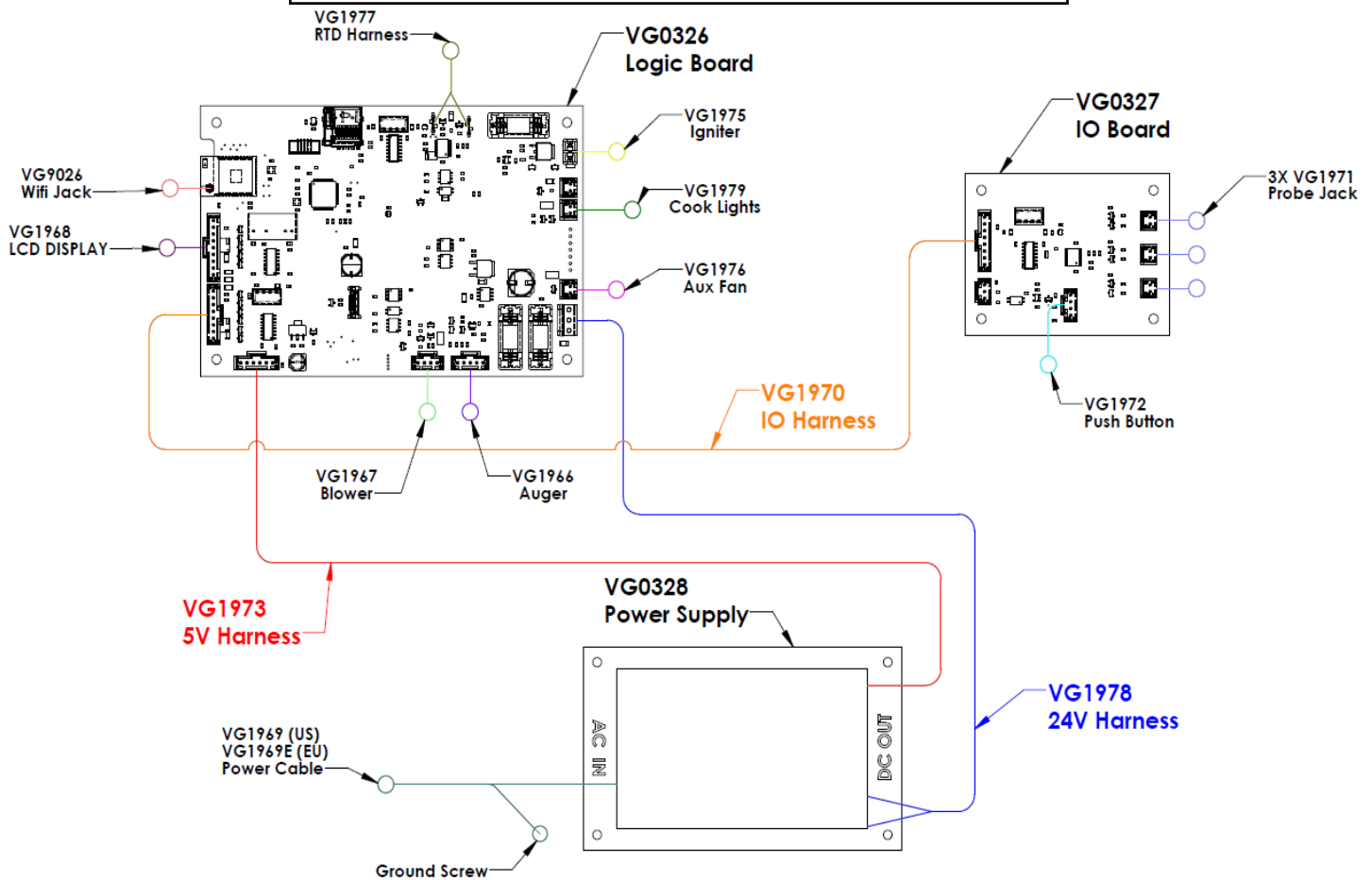
Main Grate Area– 24.8 in X 17.4 in.	[63 cm X 44 cm]	432 in. sq.	[2,772 cm sq.]
Top Grate Area– 24.8 in. X 5.5 in	[63 cm X 14 cm]	136 in. sq.	[882 cm sq.]
Optional Middle Grate Kit Area– 24.8 in. X 11 in	[63 cm X 28 cm]	272 in. sq.	[1,764 cm sq.]

Grill Height with Hood Open– 65.2 in. [166 cm]

Grill Width with Slides Shelves Open– 79.5 in. [202 cm]



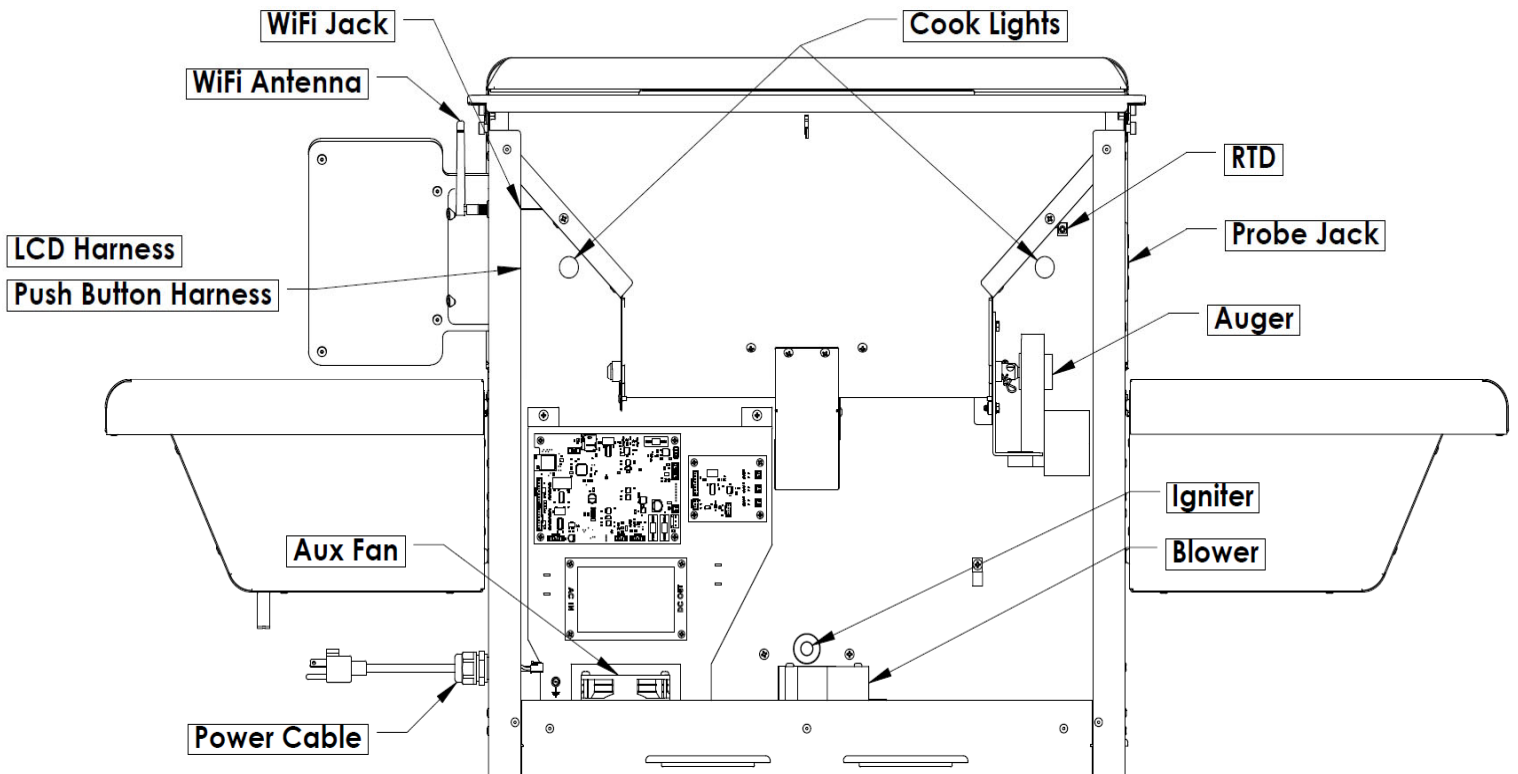
Memphis Control Diagram



Part #	Name	Description
VG1966	Auger Wiring Harness	5 pin connector from auger motor to the logic board
VG1967	Blower Wiring Harness	4 pin connector from blower to the logic board
VG1968	Display Wiring Harness	9 pin connector from the LCD display to the logic board
VG1969(E)	US Power Cable (Euro)	Power cable that plugs into 120VAC (US) or 240VAC (EU) wall outlet
VG1970	IO Wiring Harness	8 pin connector from IO board to the logic board
VG1971	Probe Jack Wiring Harness	2 pin connector from meat probe jack to the IO board
VG1972	Push Button Wiring Harness	4 pin connector from push button in the Display Housing to the IO board
VG1973	5V Wiring Harness	4 pin connector from power supply board to the logic board
VG1975	Igniter Wiring Harness	2 pin connector from igniter to the logic board
VG1976	Auxiliary Fan Wiring Harness	2 pin connector from Aux fan to logic board
VG1977	RTD Wiring Harness	2 Pin connector from RTD to the logic board. Connection to board is non-polarized
VG1978	24V Wiring Harness	2 pin connector from power supply to logic board. Provides power to blower, aux fan, auger motor, cook lights and LCD
VG1979	Cook Light Wiring Harness	2 pin connector from cook lights to logic board
VG9026	Wifi Jack	Single conductor jack installed in right panel connected to the logic board
VG0326	Logic Board	Controls components related to smoking and cooking
VG0327	IO Board	Controls push button and meat probe jacks
VG0328	Power Supply Board	Provides 24V DC and 5V DC power



Memphis Component Diagram



Part #	Name	Description
VG9501	Auger Motor	This component rotates the auger to supply fuel into the burn pot
VG1967	Blower	This component pulls air from the lower cabinet and into the firebox for combustion
VG1968	LCD	Used to display Grill information and change grill settings
VG1969(E)	US Power Cable (Euro)	Power cable that plugs into 120VAC (US) or 240VAC (EU) wall outlet
VG1971	Probe Jack	This component is used to plug probes for monitoring meat temperature
VG1972	Push Button	This component is used to set the grill to cooldown, reset the controller, or put the display to sleep
VG1975	Igniter	This component provide the initial heat during startup
VG1976	Auxiliary Fan	This component supplies cooling for the power supply and logic boards
VG1977	RTD	This component is used by the controller to determine the cook chamber temperature
VG1980	Cook Lights	These components are mounted inside the cook chamber to provide light to the cook area
VG9026	WiFi Jack	Single conductor jack install in right panel connected to the logic board
VG9023	WiFi Antenna	2.4GHz WiFi antenna



Memphis Fuse Diagram

Power Cable (VG1969) Fuse

- VG9021– Fuse Glass 250VAC 5A 5 x 20 mm



Logic Board Layout

