

Traditional 25" With Gas User Manual

FAMILY, FRIENDS, & FOOD



400 S. Railroad St. Warren, Il 61087

815-745-1021

info@wppollc.com

www.wppollc.com

! DANGER !

If you smell gas:

- 1.Shut off gas to the appliance.
- 2.Extinguish any open flame.
- 3.If odour continues, keep away from the appliance and immediately call the fire department.

Failure to follow these instructions could result in fire or explosion which could cause property damage, personal injury or death.

! DANGER !

- 1.Never operate this appliance unattended.
- 2.Never operate this appliance within 10 ft (3.0m) of any structure, combustible material or other gas cylinder.
- 3.Never operate this appliance within 25 ft (7.5 m) of any flammable liquid.
- 4.If a fire should occur, keep away from the appliance and immediately call your fire department. Do not attempt to extinguish an oil or grease fire with water.

Failure to follow these instructions could result in fire, explosion or burn hazard which could cause property damage, personal injury or death.

! PROP 65 WARNING !

! WARNING: This product can expose you to chemicals including benzene, which is known to the State of California to cause cancer and birth defects or other reproductive harm. For more information go to www.P65Warnings.ca.gov.

! WARNING !

This Appliance is not intended for commercial use.

Safety Symbols

The symbols and boxes shown below explain what each heading means. Read and follow all of the messages found throughout the manual.

! DANGER !

DANGER: Indicates an imminently hazardous situation which, if not avoided, will result in death or serious injury.

! WARNING !

WARNING: Indicates a potentially hazardous situation which, if not avoided, will result in death or serious injury.

! CAUTION !

CAUTION: Indicates a potentially hazardous situation or unsafe practice which, if not avoided, may result in minor or moderate injury.



WARNING



1. Never leave the appliance unattended. Keep children and pets away from the appliance at all times.
2. The use of alcohol, prescription or non-prescription drugs may impair the consumer's ability to properly assemble or safely operate the appliance.
3. This appliance shall not be used on or in any apartment or condominium balcony or deck.
4. This appliance is for **OUTDOOR USE ONLY**. DO NOT use in building, garage or any other enclosed area.
5. This appliance is not intended to be installed in or on a boat. This appliance is not intended to be installed in or on recreational vehicles.
6. This appliance is not intended for and should never be used as a heater.
7. Keep the fuel supply hose away from any heated surface.
8. Do not move the appliance when in use. Allow the cooking vessel to completely cool before moving or storing.

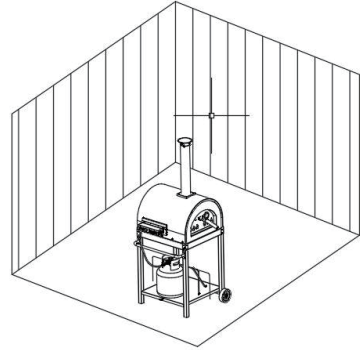


WARNING



Installation Safety Precautions.

- Use appliance only with LP (liquid propane) gas and the regulator/valve assembly supplied.
- Installation must conform with local codes or, in the absence of local codes, with the *National Fuel Gas Code, ANSI Z223.1/NFPA 54, Storage and Handling of Liquefied Petroleum Gases, ANSI/NFPA 58; or Natural Gas and Propane Installation Code, CSA B149.1. Propane Storage and Handling, CSA B149.2.*
- This appliance shall be used only outdoors, and shall not be used in a building, garage or any other enclosed area.
- Use appliance at least 10 ft(3m) from any wall or surface. Do not use under overhead construction. Maintain at least 10 ft(3m) clearance from combustible material such as pilot lights on water heaters, electrical appliances that are plugged in, etc. Never use under balconies made of wood or ANY overhead construction.
- Apartment Dwellers: Check with management to get the requirements and fire codes for using an LP Gas appliance at an apartment. If allowed use outside at an apartment. If allowed, use outside on the ground floor with a ten (10) foot clearance from walls or rails.
- Before opening LP tank valve, check the coupling nut for tightness. When appliance is not in use, turn off control knob and LP tank valve.
- Never move appliance while in operation or still hot.
- If you notice grease or other hot material dripping from appliance onto valve, hose or regulator, turn off gas supply at once. Determine the cause, correct, clean and inspect valve, hose and regulator before continuing. Perform a leak test.
- The regulator may make a humming or whistling noise during operation. This will not affect safety or use of appliance.
- Clean and inspect the regulator and hose assembly each time you use the appliance. If there is evidence of abrasion, wear, cuts or leaks, the regulator and hose assembly must be replaced prior to the appliance being put into operation.

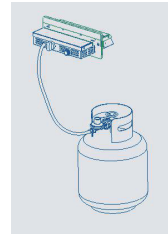




WARNING



- Never leave the appliance unattended. Keep children and pets away from the appliance at all times.
- This appliance is not intended for and should never be used as a heater.
- Never operate appliance with LP tank out of correct position specified in assembly instructions.
- Always close LP tank valve and remove coupling nut before moving.



LP tank from specified operating position.

- Appliance shall not be used for commercial cooking.
- This appliance will be hot during and after use. Use insulated oven mitts or gloves for protection from hot surfaces or splatter from cooking liquids.
- Avoid bumping or impacting the appliance to prevent spillage .

Keep the fuel supply hose away from any heated surface



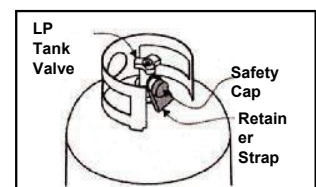
DANGER



- The safety relief valve on the LP tank could activate the releasing of gas and cause an intense fire with risk of death or serious injury. Therefore, follow instructions bulleted below exactly.
 - (A) Do not store a spare LP-gas cylinder under or near this appliance.
 - (B) Never fill the cylinder beyond 80 percent full. and
 - (C) If the instructions in (A) and (B) are not followed exactly, a fire causing death or serious injury may occur.
- If you see, smell, or hear escaping gas, immediately get away from the LP tank/appliance and call your fire department.
- All spare LP tanks must have safety caps installed on the LP tank outlet.

LP Tank Removal, Transport and Storage

- Turn OFF all control knobs and LP tank valve. Turning coupling nut counterclockwise by hand only--- do not use tools to disconnect. "Place dust cap on cylinder valve outlet whenever the cylinder is not in use. Only install the type of dust cap on the cylinder valve outlet that is provided with the cylinder valve. Other types of caps or plugs may result in leakage of propane."
- A disconnected LP tank in storage or being transported must have a dust cap installed as shown. Do not store an LP tank in enclosed spaces such as a carport, garage, porch, covered patio or other building. Never leave an LP tank inside a vehicle which may become overheated by the sun.
- Do not store LP tanks in an area while children play.



LP Tank

The LP tank used with your appliance must meet the following requirements:

- Purchase LP tanks only with these required measurements: 12"(30.5cm)(diameter)x18"(45.7cm)(tall) with 20lb.(9kg) capacity maximum.
- The LP-gas supply cylinder to be used must be constructed and marked in accordance with the specifications for LP-gas cylinders of the US Department of Transportation (DOT) or the National Standard of Canada, CAN/CSA-B339, Cylinders, Spheres and Tubes for the Transportation of Dangerous Goods.

LP tank valve must have:

- Type 1 outlet compatible with regulator or appliance.
- Safety relief valve.
- UL listed Overfill Protection Device (OPD). This OPD safety feature is identified by a unique triangular hand wheel. Use only tanks equipped with this type of valve.
- LP tank must be arranged for vapor withdrawal and include collar to protect LP tank valve.



OPD Hand Wheel

LP (Liquefied Petroleum Gas)

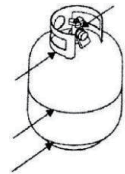
- LP gas is non toxic, odorless and colorless when produced. For your safety, LP gas has been given an odor (similar to rotten eggs) so that it can be smelled.
- LP gas is highly flammable and may ignite unexpectedly when mixed with air.

LP Tank Filling

- Use only licensed and experienced dealers.
- LP dealer must purge tanks before filling.
- Dealer should NEVER fill LP tank more than 80% of LP tank volume. Volume of propane in tanks will vary by temperature.
- A frosted-covered regulator indicates gas overfill. Immediately close LP tank valve and call LP gas dealer for assistance.
- Do not release liquid propane (LP) gas into the atmosphere. This is a hazardous practice.
- To remove gas from LP tank, contact an LP dealer or call a local FIRE DEPARTMENT for assistance. Check the telephone directory under " GAS Companies" for nearest certified LP dealers.

LP Tank Exchange

- Many retailers that sell appliances offer you the option of replacing your empty LP tanks through an exchange service, use only those reputable exchange companies that inspect, precision fill, test and certify their cylinders. Exchange your tank only for an OPD safety feature-equipped tanks as described in the "LP tank" section of this manual.
- Always keep new and exchanged LP tanks in upright position during use, transit or storage.
- Leak test new and exchanged LP tanks BEFORE connecting to appliance.



LP Tank Leak Test

For your safety

- Leak test must be repeated each time LP tank is exchanged or refilled.
- Do not smoke during leak test.
- Do not use an open flame to check for the gas leaks.
- LP tank must be leak checked outdoors in well-ventilated area, away from open flames or sparks.

Use a clean paint brush and 50/50 soap and water solution.

Use mild soap and water. Do not use household cleaning agents. Damage to gas train components can result. Brush soapy solution onto all metal seams and entire valve area.



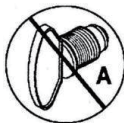
DANGER



If "growing" bubbles appear, do not use or move the LP tank. Contact an LP gas supplier or your fire department.

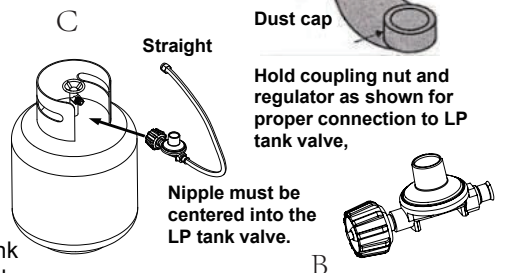
Connecting Regulator to the LP Tank

1. Place LP tank on a secure, level, and stable surface.
2. Turn control knob to the OFF position.
3. Turn LP tank OFF by turning hand wheel clockwise to a **full stop**.
4. Remove the protective cap from the LP tank valve. Always use dust cap and strap supplied with valve.



Do not use a POL transport plug(A) (plastic part with external threads)! It will defeat the safety feature of the valve

5. Hold regulator, insert nipple (B) into LP tank valve. Hand tighten coupling nut, holding regulator in a straight line (C) with LP tank valve so as not to cross thread the connection.
6. Turn the coupling nut clockwise to tighten to a full solid stop. The regulator will seal on the back-check feature in the LP tank valve, resulting in some resistance. An additional one-half to three quarters turn is required to complete connection. **TIGHTEN BY HAND ONLY--- DO NOT USE TOOLS.**



NOTE: If you cannot complete connection, disconnect regulator and repeat step 5 and 6. If you are still unable to complete the connection, **do not use this regulator!**

Disconnecting Regulator to the LP Tank

1. Turn control knob of regulator to the OFF position.
2. Turn LP tank OFF by turning hand wheel clockwise to a **full stop**.
3. Turn the coupling nut counterclockwise to loosen the connector. Loosen by hand only---do not use tools.
4. When disconnected, the regulator should be hung on the hook attached to the appliance.



WARNING



- Do not insert any tool or foreign objects into the valve outlet or safety relief valve. You may damage the valve and cause a leak. Leaking propane may result in explosion, fire, severe personal injury, or death.
- Never attempt to attach this appliance to the self-contained LP system of a camper, trailer or a motor home.
- The pressure regulator and hose assembly supplied with the appliance must be used. Replacement pressure regulator and hose assemblies must be those specified by the appliance manufacturer.
- Turn off gas at supply cylinder when not in use.



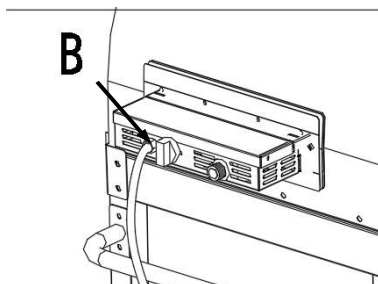
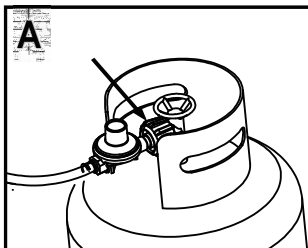
WARNING



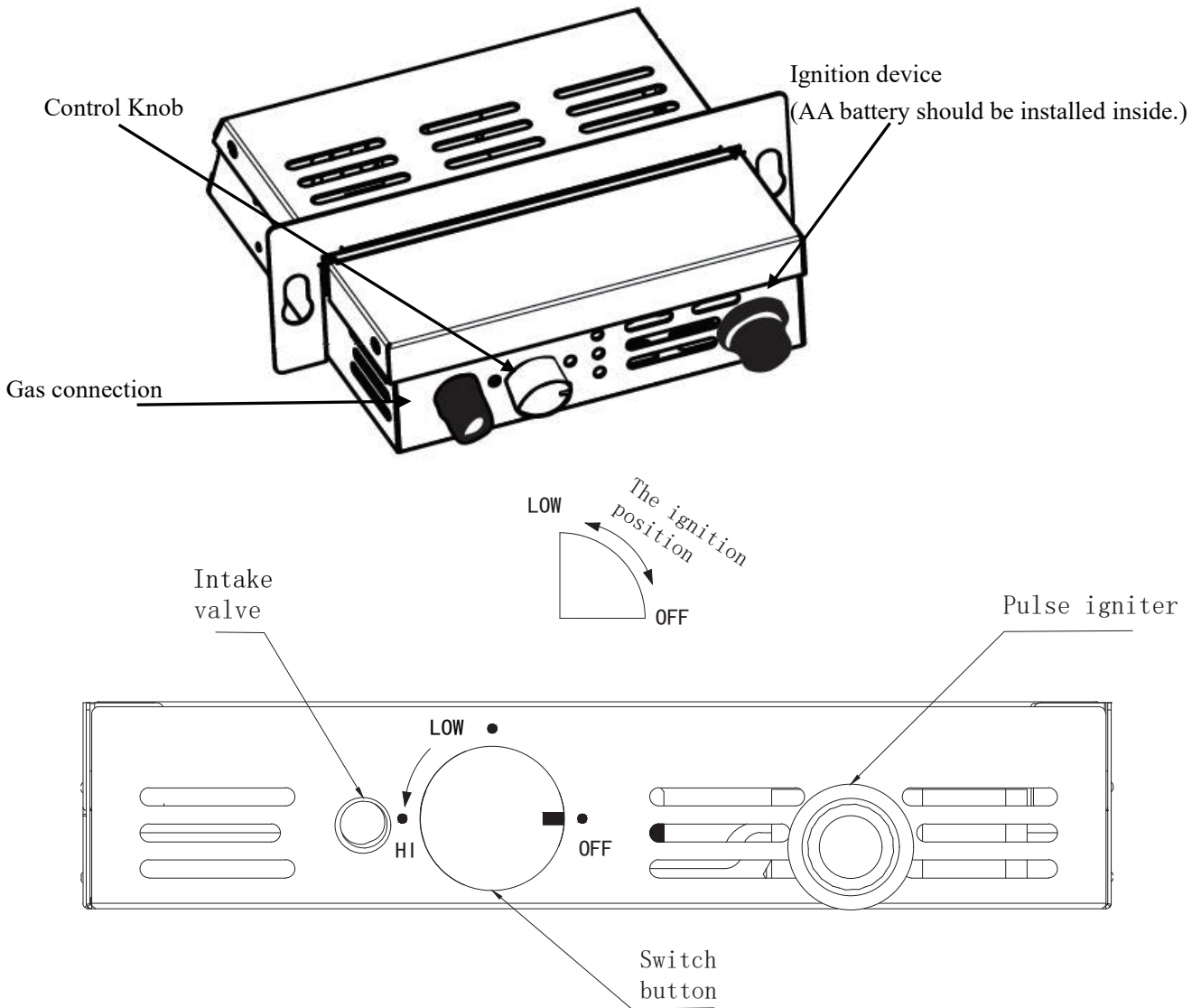
- Do not use appliance until leak checked.
- If leak is detected at any time, STOP.
- If you cannot stop a gas leak, immediately close LP tank valve, leave area of appliance, and call LP gas supplier or your fire department!

Leak Testing Valves, Hoses and Regulator

1. Turn all control knob(s) to OFF.
2. Be sure regulator is tightly connected to LP tanks.
3. Completely open LP tank valve by turning hand wheel counterclockwise. If you hear a rushing sound, turn gas off immediately. There is a major leak at the connection. Correct before proceeding.
4. Brush soapy solution onto indicated connections shown below in A and B.
5. If "growing" bubbles appear, there is a leak. Close LP tank valve immediately and retighten connections. If leaks cannot be stopped, do not try to repair. Call for replacement parts. Order new parts by giving the serial number, model and name of items needed to the Customer Service Center at 815-745-1021 or email at info@wppollc.com. Use only replacement parts specified by manufacturer.
6. Always close LP tank valve after performing tank leak test by turning hand wheel clockwise.



Your gas will have following method of ignition:



Ignition:

1. With control knobs on the Gas in the "OFF" position, turn on the gas cylinder. To create a spark, you must push & turn the gas control knob to the LOW position. The burner will be ignited with the spark.

2. Keep the control knob for about 5 seconds after the burner alights, this will allow gas to flow completely down the burner tube and ensure ignition.

3. Adjust flame to desired flame with the control knobs.

4. At "HI" setting the burner flame should be at it's highest potential. Turn the gas control knob fully anticlockwise for the highest setting.

5. If ignition does not occur in 5 seconds, turn the burner control(s) off, wait 5 minutes, and repeat the lighting procedure.

6. If you still have problems while lighting the appliance, contact your dealer for advice. Do not modify the appliance.



CAUTION



If burner does not light OR if burner flame is accidentally extinguished, turn knob to OFF, wait 5 minutes, try again. If the burner does not ignite with valve open OR if burner flame accidentally extinguished after lighting, gas will continue to flow out of the burner and could accidentally ignite with risk of injury.

Turning LP Off

- Turn all knobs to OFF position, turn LP tank OFF by turning hand-wheel clockwise to a full stop.

Hose Check

- Cleaning and inspection of pressure regulator and hose assembly prior to use.
- Before each use, check to see if there is evidence of abrasion ,cuts or leaks, the hose must be replaced prior to the appliance being put into operation. The replacement hose assembly shall be specified by the manufacturer.

Cleaning the Burner



CAUTION

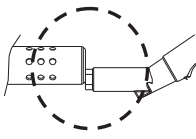


Checking and cleaning burner/venture tubes for insect nests. A clogged tube can lead to fire beneath the appliances. Spiders' nests or wraps' made inside the burner may cause fire at the air damper. If a fire occurs, immediately turn off gas supply at LP tank valve.

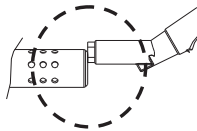
Cleaning and Maintenance

Keep appliance area clear and free from combustible materials, gasoline and other flammable vapors and liquids.

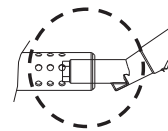
- Do not block holes in bottom or sides of appliance.
- Check burner flames regularly.
- Use appliance only in well-ventilated space. NEVER use in enclosed space such as carport, garage, porch, covered patio, or under ANY overhead construction.
- When LP tank is connected to appliance, store outdoors in well-ventilated space and out of reach of children.
- Store appliance indoors ONLY if LP tank is turned off, disconnected and removed from appliance then stored outdoors.
- Keep the appliance clear and free from gasoline and other flammable vapors and debris.
- Do not obstruct the flow of combustion and ventilation air.
- Keeping the ventilation opening(s) of the LP tank enclosed and free and clear of debris.
- Replace the gas valve hole if necessary Ensure the gas valve orifices must be correctly positioned inside the burner tube. If the burner tube does not fit over the valve orifice, lighting the burner may cause explosion and/or fire.



Wrong



Wrong



Correct

•We would recommend that appliance should be serviced by your local gas retail outlet at least once a year by a competent engineer. Do not attempt to service this appliance yourself.

PROBLEM	POSSIBLE CAUSE	CORRECTIVE ACTION
The burner does not light.	The connection between the regulator and LP tank are not in good condition.	Check and make sure the regulator coupling nut is tightened to the LP tank valve.
	The LP tank valve control valve do no open.	The LP tank valve is opened in counter-clockwise direction.
	The LP tank is empty.	Check and make sure the LP tank is filled with fuel.
	High wind condition.	If wind blows out flame, gas supply will be cut off. Move out of wind and restart.

MANUALLY LIGHTING THE BURNERS WITH THE MATCH LIGHTING STICK

1: Put the control knob in the OFF position.

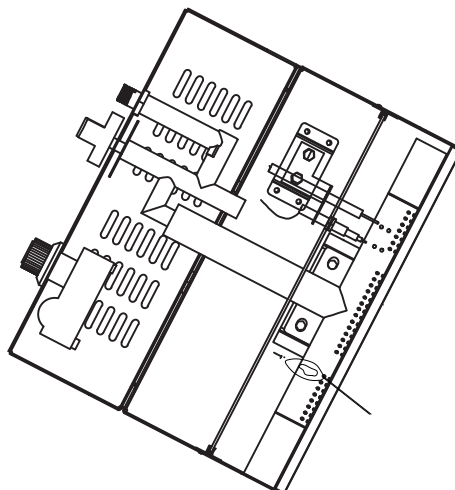
2: After lighting the match, put it on the burner pipe fitting.

3: Turn on the control knob for 5 seconds to the temperature you need.

4: If the burner does not light within 5 seconds, turn the burner control knob to "OFF".

5: Wait 5 minutes for the gas to clear, and try again.

6: When lit, turn the control knob to the desired heat setting.





CAUTION



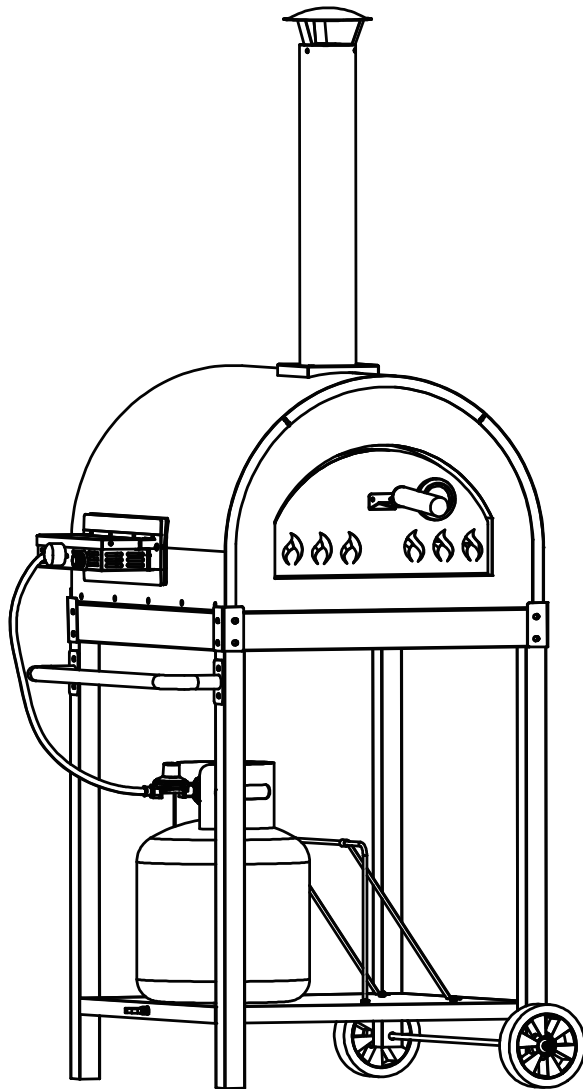
All cleaning and maintenance should only be done when the appliance is cool, and with the fuel supply turned off at the LP tank. DO NOT clean any part in a self-cleaning oven. The extreme heat will damage the finish.

Correct care and maintenance will keep your appliance operating smoothly. Clean regularly as determined by the amount of use. NOTE: Clean the entire appliance each year and tighten all hardware on a regular basis (1-2 times a year or more depending on usage). Cleaning should be done where detergents won't harm patio, lawn or other outdoor items.

Suggested Cleaning Materials:

- Mild dish washing liquid detergent
- Hot water
- Wire brush
- Nylon cleaning pad
- Soft brass-bristled brush

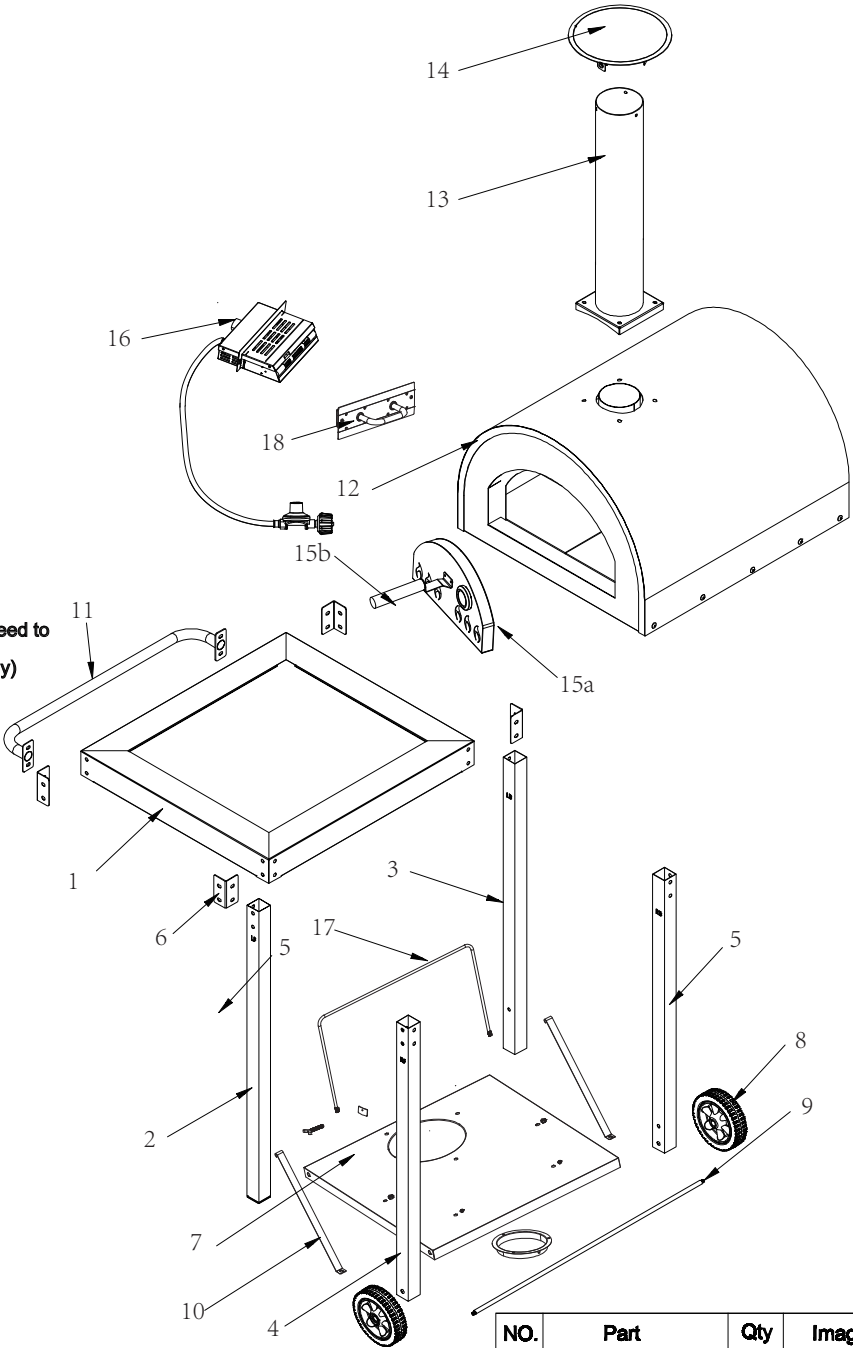
Installation steps



Exploded View

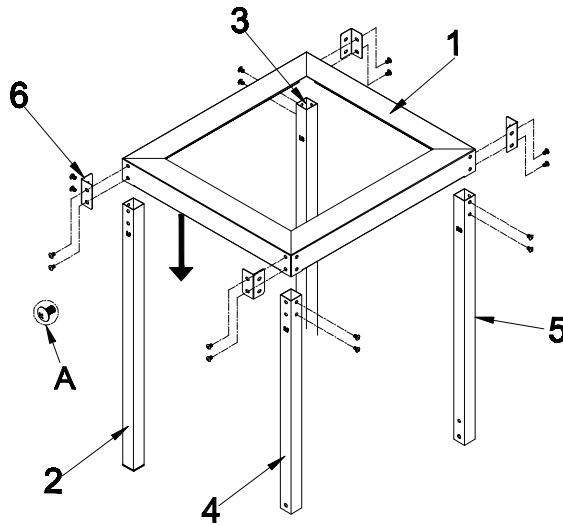
Part list

- 1.Top Shelf
- 2.Left front leg
- 3.Left back leg
- 4.Right front leg
- 5.Right back leg
- 6.Fixed plate
- 7.Bottom Shelf
- 8.Wheel*2
- 9.Axle
- 10.Rack-a(optional)
- 11.Side handle
- 12.Firebox assembly
- 13.Chimney assembly
- 14.Chimney cover
- 15.Door assembly
- 16.Gas burner(optional, need to be purchased separately)
- 17.Rack-b(optional)
- 18.PLUG



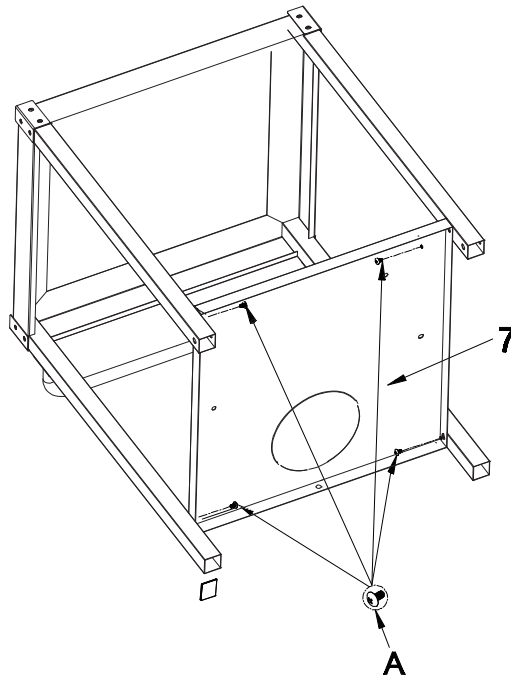
NO.	Part	Qty	Image
A	M6*12 screws	32	
B	M10 Lock nuts (for wheel)	2	
C	M6*40 screws	4	
D	M8 Lock nuts	4	
E	M6*8 screws	3	
F	M5*8 screws	1	
G	M5*12 screws	2	

Step1



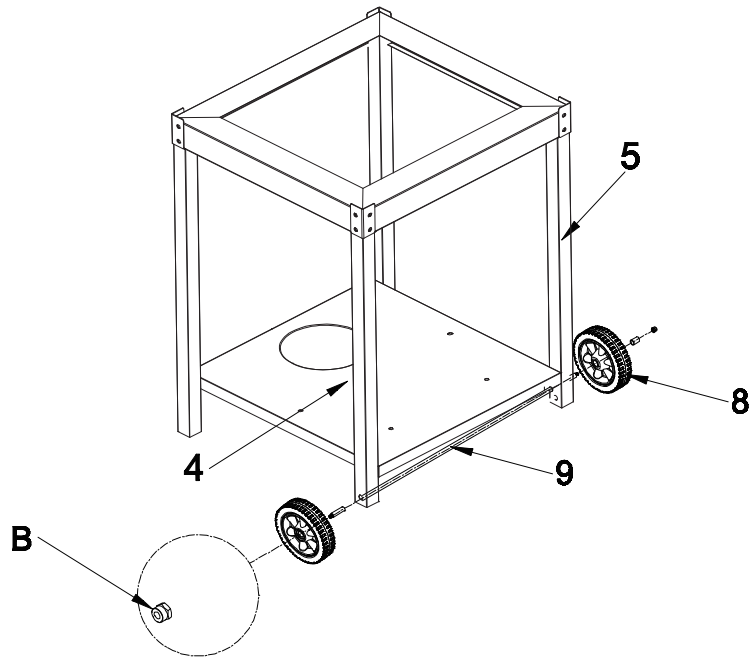
- 1-1:** Attach the left front leg(2) and fixed plate (6) to the Top Shelf (1) with four M6x12 screws (A) ;
 - 1-2:** Attach the left back leg(3) and fixed plate (6) to the Top Shelf (1) with four M6x12 screws (A) ;
 - 1-3:** Attach the right front leg (4) and fixed plate(6) to the Top Shelf (1) with four M6x12 screws (A) ;
 - 1-4:** Attach the right back leg (5) and fixed plate (6)to the Top Shelf (1) with four M6x12 screws (A) ;
- Partially tighten each screw with a screwdriver.(as show)

Step2



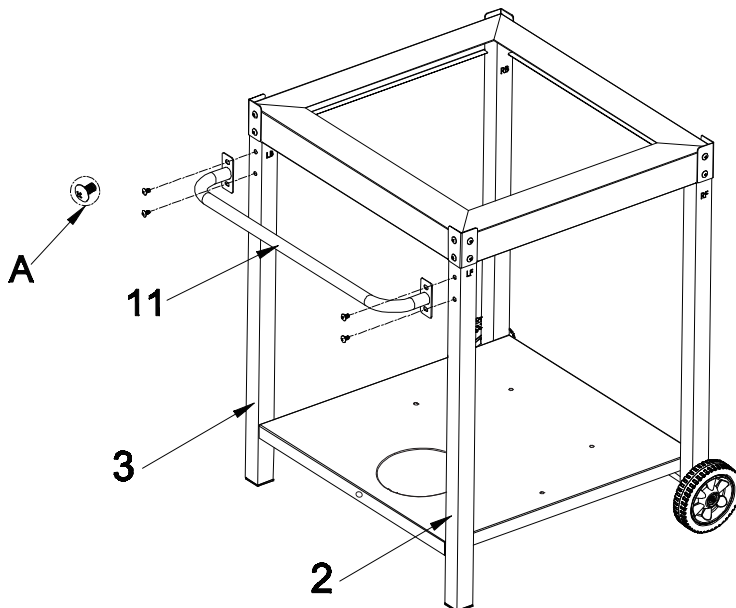
- Slide the bottom shelf (7) into the corresponding position of each legs with four M6x12 screws (A) tighten by hand. (as show)

Step3



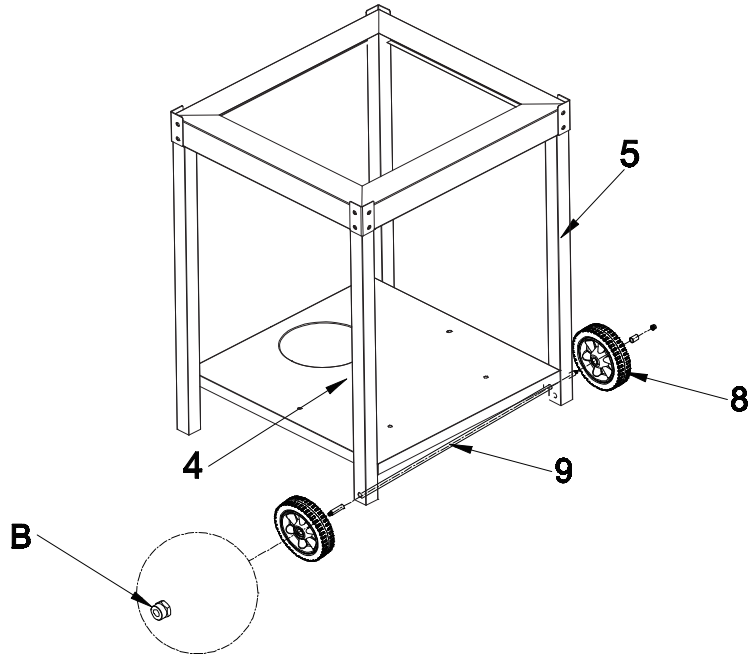
Slide the axle (9) through the wheel legs (4 and 5), Slide a wheel (8) , Thread two M6 lock nuts(B) onto each long end and tighten with a wrench. The wheel should spin, but not wobble.

Step4



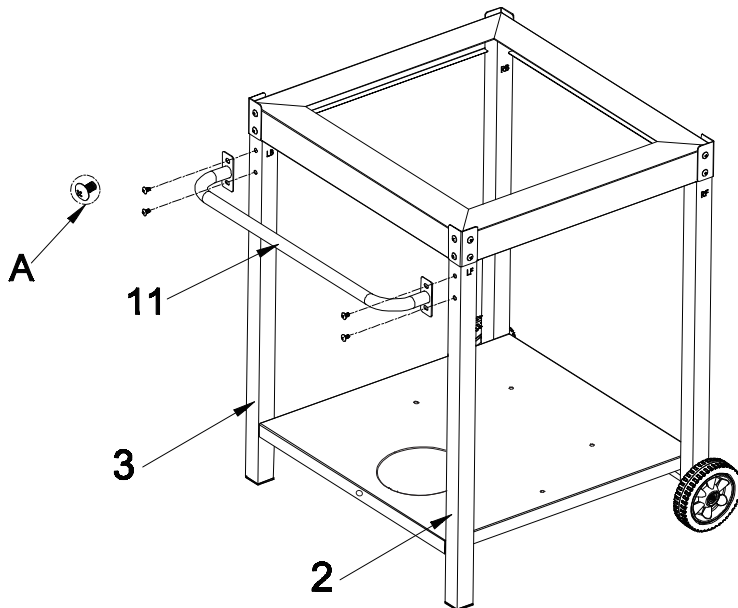
Slide the Side handle (11) onto Left front leg (2) and left back leg(3) with four M6*12 screws(A) tighten by hand.

Step3



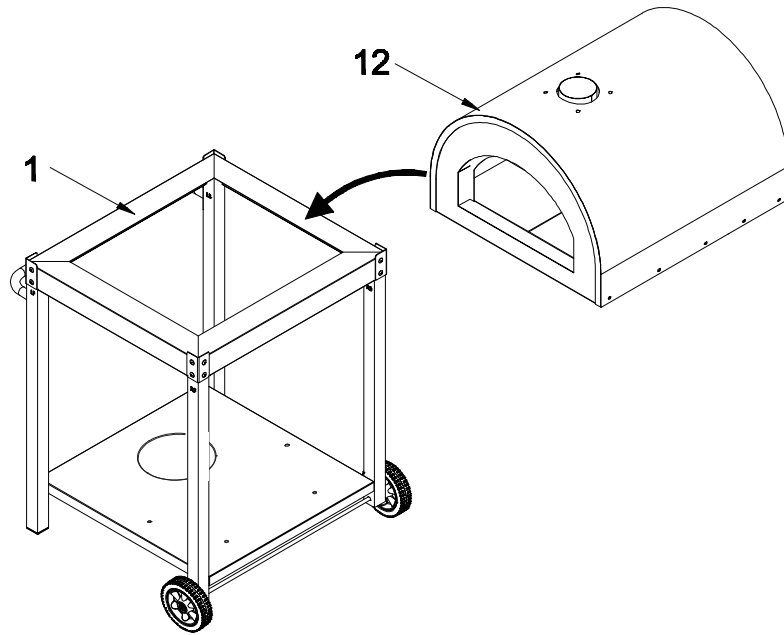
Slide the axle (9) through the wheel legs (4 and 5), Slide a wheel (8) , Thread two M6 lock nuts(B) onto each long end and tighten with a wrench. The wheel should spin, but not wobble.

Step4



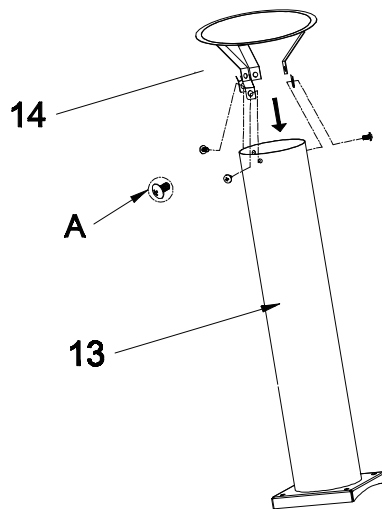
Slide the Side handle (11) onto Left front leg (2) and left back leg(3) with four M6*12 screws(A) tighten by hand.

Step5



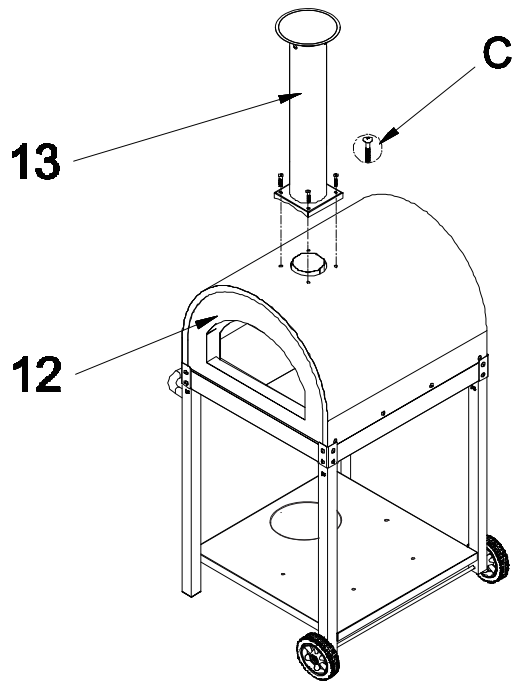
The firebox assembly (12) is lifted and onto the corresponding position of the frame roof(1)

Step6



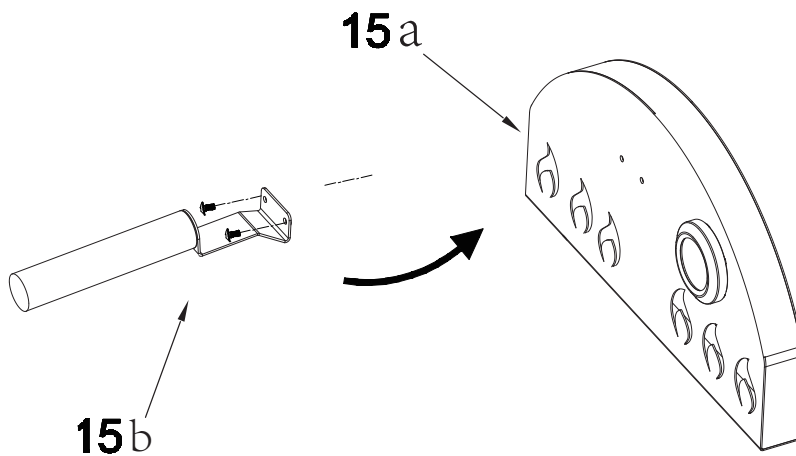
Slide the chimney cover (14) onto the chimney assembly(13) with three M6*12 screws(A) tighten by hand.

Step7



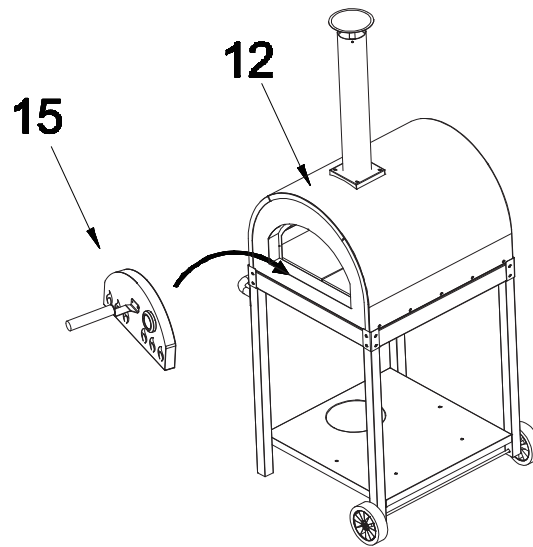
Slide the chimney assembly (13) onto firebox assembly(12) with four M6*40 screws(C) tighten by hand.

Step8



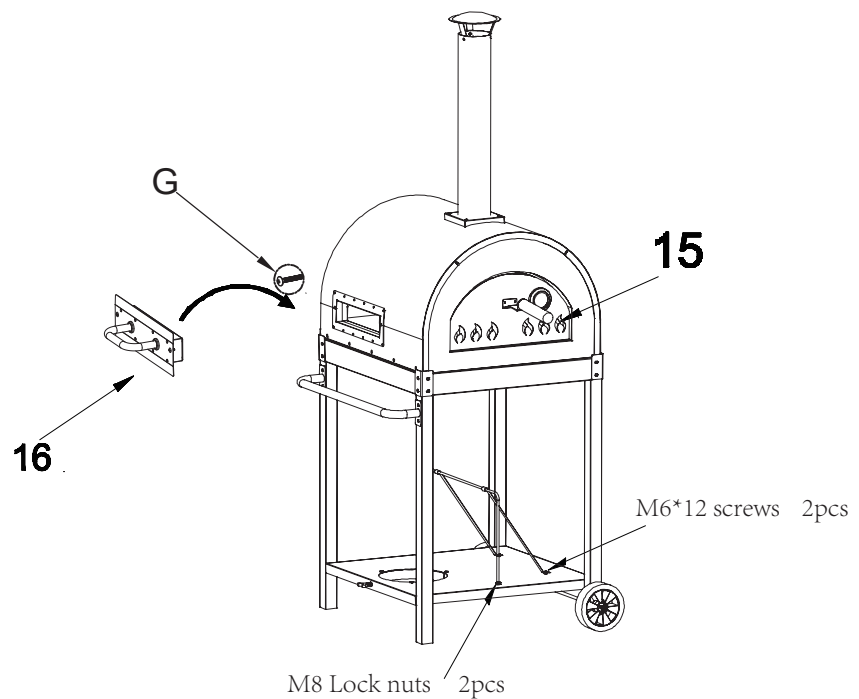
Handle (15b) onto front door (15a) with M6*12 screws(A).

Step9



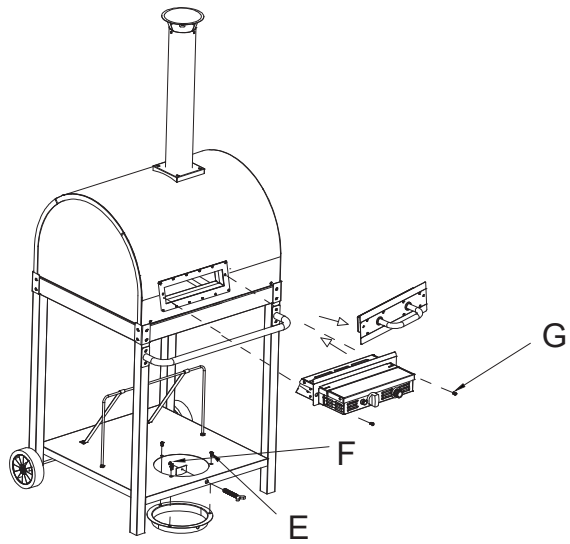
Slide the door assembly (15) onto the corresponding position of the firebox assembly(12).

Step10

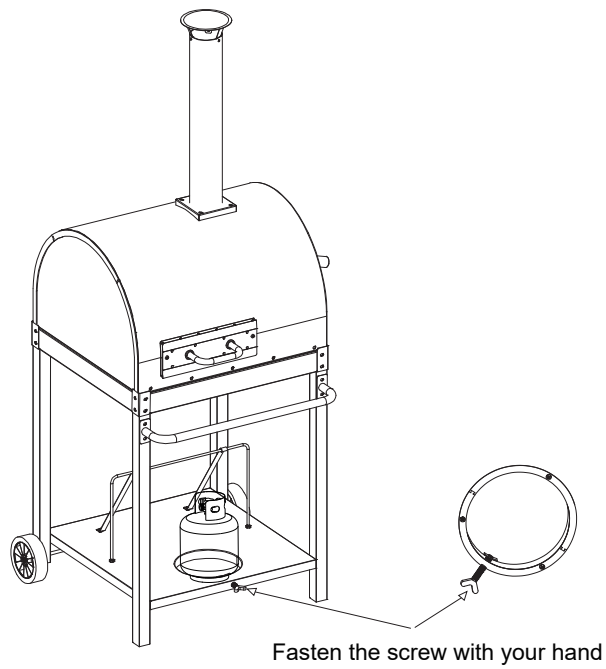


Plug put into the body hole and screw tight.

Step11



Guide: mutual replacement of the gas burner and the plug , if equipped with gas burner.



LIMITED WARRANTY

The Problem Can be Remedied in Two Ways:

- A. 1. Turn the regulator control to the OFF position. Close the tank valve completely by turning it clockwise until it stops.
2. Check that the Type1 Connection(black/green knob) is completely tightened to the tank valve.
3. Wait 5 seconds for the pressure to equalize and for the flow limiting device to reset
4. Turn tank valve ON(counterclockwise.)
5. Turn the regulator control to an ON position.
6. Relight cooker following all lighting instructions contained in this manual. Check for proper flame characteristics.

OR

- B. 1. Turn the regulator control to the OFF position. Close the tank valve completely by turning clockwise until it stops.
2. Relight cooker following all lighting instructions contained in this manual. Check for proper flame characteristics.

Warranty Information

ONE-YEAR LIMITED WARRANTY

The appliance has been manufactured under the highest standards of quality and workmanship. We warrant to the original consumer purchaser that all aspects of this product will be free of defects in material and workmanship for **one year** from the date of purchase. A replacement for any defective part will be supplied free of charge for installation by the consumer. Defects or damage caused by the use of other than genuine parts are not covered by this warranty. This warranty shall be effective from the date of purchase as shown in the purchaser receipt.

This warranty is valid for the original consumer purchaser only and excludes industrial, commercial or business use of the product, product damage due to shipment or failure which results from alteration, product abuse, or product misuse, whether performed by a contractor, service company, or consumer. We will not be responsible for labor charges and/or damage incurred in installation, repair or replacement nor for incidental or consequential damage.

IF CUSTOMER SERVICE BECOMES NECESSARY:

1. The Original Purchaser is responsible for shipping and handling charges of the returned item(s) and replacement parts, if any.
2. All parts to be replaced will need to be shipped before replacement items will be sent.
3. Follow the Customer Service Representative's instructions exactly. If a return is necessary.

Should you encounter any problems,

CONTACT US FIRST

DO NOT return product to the store!

Please call 815-745-1021 for assistance. 9:00 am to 5:00 pm CENTRAL time, Monday to Friday.

Outdoor Oven Safety Precautions

WARNING !

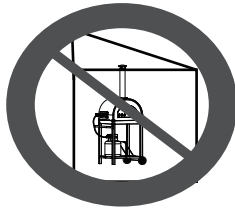
FAILURE TO FOLLOW THESE INSTRUCTIONS AND WARNINGS COULD RESULT IN FIRE, EXPLOSION, BURN HAZARD OR CARBON MONOXIDE POISONING WHICH COULD CAUSE PROPERTY DAMAGE, PERSONAL INJURY OR DEATH.

Read and understand the entire Assembly Instructions and Use and Care Manual before using this product. If you lose your manual and need a replacement, or have questions, please call 1-866-206-0888 for assistance. 8:00 am to 4:00 pm CENTRAL time, Monday to Friday.

WARNING: This product can expose you to chemicals including lead, known to the State of California to cause cancer, birth defects, or other reproductive harm. For more information go to www.P65Warnings.ca.gov/product



USE ONLY OUTDOORS!



DO NOT use under any overhang or roof. Keep a minimum clearance of 10 ft. (3.05m) on all sides of the cooker.



DO NOT use on combustible surfaces.



ALWAYS keep children, pets and any unauthorized persons away from cooker.



ALWAYS wear protective mitts and use extreme caution



NEVER LEAVE COOKER UNATTENDED while in use or still hot.



ALWAYS wear shoes while cooking. Keep hair and clothing from coming into contact with the cooker while in use or still hot.

WPPO LLC
3131 West Orangeville Rd
Orangeville Illinois 61060, USA
001-815-616-8314

Manufacturer
Ningbo M & K Mental Products Co.,Ltd
QiShan Road, Hengxi Town, Yinzhou District NingBo City, Zhejiang Province
China

Outdoor Cooker Safety Precautions

WARNING !

FAILURE TO FOLLOW THESE INSTRUCTIONS AND WARNINGS COULD RESULT IN FIRE, EXPLOSION, BURN HAZARD OR CARBON MONOXIDE POISONING WHICH COULD CAUSE PROPERTY DAMAGE, PERSONAL INJURY OR DEATH.

Read and understand the entire Assembly Instructions and Use and Care Manual before using this product. If you lose your manual and need a replacement, or have questions, please call 1-866-206-0888 for assistance. 8:00 am to 4:00 pm CENTRAL time, Monday to Friday.

WARNING: This product can expose you to chemicals including lead, known to the State of California to cause cancer, birth defects, or other reproductive harm. For more information go to www.P65Warnings.ca.gov/product



USE ONLY OUTDOORS!



DO NOT use under any overhang or roof. Keep a minimum clearance of 10 ft. (3.05m) on all sides of the cooker.



DO NOT use on combustible surfaces.



ALWAYS keep children, pets and any unauthorized persons away from cooker.



ALWAYS wear protective mitts and use extreme caution



NEVER LEAVE COOKER UNATTENDED while in use or still hot.



ALWAYS wear shoes while cooking. Keep hair and clothing from coming into contact with the cooker while in use or still hot.

WPPO LLC
3131 West Orangeville Rd
Orangeville Illinois 61060, USA
001-815-616-8314

Manufacturer
Ningbo M & K Mental Products Co.,Ltd
QiShan Road, Hengxi Town, Yinzhou District NingBo City, Zhejiang Province
China

USER INFORMATION

General Safety

WARNING

PERSONAL INJURY

Ensure the following:

- The oven is not overloaded with firewood such that burning logs may inadvertently roll out the door when the door is open or removed.
- The oven temperature does not exceed 900°F. Exceeding this temperature leads to "over-firing", a situation when flames spill out the front of the oven when the door is opened.
- The oven door does not become completely closed when a fire is burning in the oven. Closing the door completely cuts off oxygen to the fire and may cause the fire to erupt suddenly when the door is subsequently removed. Also, gasses from the fire may create a pressure build up behind the door, causing the door to blow out like a projectile.
- Liquid fuel (firelighter fluid, gasoline, lantern oil, kerosene, or similar liquids) is not used to start, "freshen up," or maintain the fire. These types of fuels may cause explosions or flashbacks to occur, resulting in severe burns.
- Elbow-length, insulated, heat-resistant gloves that are rated as flame-retardant and non-combustible up to a minimum of 1000°F° (538°C°) are worn when touching any part of the oven's exterior while the oven is hot. (The oven's exterior temperature can exceed 200°F (93°C), while the chimney exterior temperature can exceed 400°F (204°C)).
- The oven's exterior and interior temperature have cooled down to less than 85°F (30°C) when moving or storing the oven
- Maximum cooking temperatures are not exceeded.
- The oven is not used as a general wood fire for outdoor heating or any other purpose other than cooking or baking as outlined in these instructions.
- A well-maintained fire extinguisher is available close by at all times while the oven is in use.

Failure to comply with these instructions may result in personal injury.

Oven Location

Your WPPO LLC Oven is designed for outdoor use only. When locating your oven, ensure the following:

- Maintain a clearance distance of at least 12ft. (3.7m) between the oven and any combustible materials while the oven is in use. Take into consideration walls, ceilings, awnings, canopies, foliage, power lines, construction materials, and clearance to combustibles from all directions of the oven when in use.
- Do not install the oven at a backward-leaning angle where water could enter the oven and collect and pool, causing damage.

Firing Up Your Oven

1. Ensure the oven interior is clean. Remove ashes from any previous fires before lighting a new fire.
2. Open the flue located on the chimney.
3. Stack six kindling sticks, Lincoln-log style, in the center of the oven's cooking floor. (*Oven efficiency depends on the quality of the firewood used.*)
4. Place the fire starter in the center of the kindling stack.
5. Ignite the kindling stack.
6. Close the flue and turn the damper. Place the oven door so that the oven opening is blocked about three quarters of the way. This narrower opening allows the damper to draw fresh air into the oven's interior.
7. Using tongs or a metal pizza peel, build the fire up slowly by adding wood to the back and sides of the oven. Once the fire is burning consistently, add wood, a few pieces at a time, to sustain the required heat. To maintain the most consistent oven temperature, use your metal pizza peel to place any new wood inside of the oven away from the active fire for a few minutes. Do not toss or throw wood into the oven or directly onto the fire.
8. Monitor the oven's temperature gauge, or use a point-and-shoot infrared thermometer, to ensure the oven is maintaining the desired temperature. (*If using a point-and-shoot infrared thermometer, aim the device at the cooking surface. Shooting an infrared thermometer directly into the flames will give varying and less helpful readings.*) When the wood has warmed, move it over onto the coals, where it will light quickly with a minimum of smoke.

USER INFORMATION

NOTICE

- When heating up your oven, gradually increase the flame up to the desired temperature. Maximum airflow is recommended during this process, so do not place the door over the opening of the oven after lighting the fire.
- An open oven mouth (i.e. no door covering the opening) allows extra air flow. This is useful when lighting the fire, or for boosting the fire when adding firewood. Partially blocking the mouth of the oven with the door will reduce the flame size, intensity, and heat, allowing for a more controlled cooking temperature.
- Recommended maximum cooking temperature is 900°F (483°C).

8. Allow the fire to burn for a proper amount of time to get the oven deck up to an ideal cooking temperature of approximately 500°F to 650°F (260°C to 343°C). Carefully place wood into the oven or directly onto the fire.
9. You are ready to cook your pizza when coals have formed and the oven deck has reached the desired temperatures of 650 or so degrees.

Firewood and Starter Media Information

Subject	DO USE	DO NOT USE
Firewood	<ul style="list-style-type: none">• Dry, solid wood fuels such as medium or hard firewood.• Double-split wood in lengths of 12in. to 16in. (301mm to 406mm) and diameters of 2in. to 5in. (51mm to 127mm).	<ul style="list-style-type: none">• Pressure treated lumber, chipped wood products, sappy wood (such as pine,) laminated wood, driftwood, coal, plywood, or any wood product using a binder that may burn at excessive temperatures.• Damp wood. It produces excessive smoke and delays the oven reaching the desired operating temperature.
Starters	Taste and odor-free lighter cubes, wood shaving starters, fire blocks or fire starters.	Any product that may leave a taste or residue in the cooked food.

Cooking

PIZZA

- For best results, do not cook until the oven is properly preheated.
- Cooking/ baking times will vary.
- Please be aware that once in the oven, your pizza will cook very quickly!

1. Using insulated gloves, remove the oven door and place it to one side.
2. Using tongs or our accessories, move the fire to one side of the oven. If needed, use a brass brush to brush ashes from the oven floor.
3. Slide your flour-dusted pizza peel under your uncooked pizza and place the pizza in the center of the oven cooking floor.
4. Frequently use the pizza peel to rotate your pizza so that it bakes evenly on all sides.
5. When done, use the pizza peel to remove your pizza from the oven and place the pizza on a cooling rack.
6. Allow the pizza to cool for a minute or two, then slice and enjoy.

FOODS OTHER THAN PIZZA

Use your oven to cook a variety of foods such as fish, and meat.

- Ensure non-dough based foods are placed in/on appropriate cookware before being placed in the oven, such as a cast iron pan or cedar plank.
- To keep meat moist, place a small foil tray containing a small amount of water in this location prior to igniting the kindling stack. Add more water as necessary.

USER INFORMATION

Smoking

Your oven may be used as a smoking unit. Add wood chips to the firewood and restrict air flow to the oven by closing the damper on the Chimney.

Extinguishing

To extinguish your oven, stop adding firewood and allow the fire to die.

Oven Maintenance and Cleaning

CAUTION

OVEN DAMAGE

- Do not allow water to enter the oven chamber, either through the oven door opening or through the chimney. Always place the provided metal door in the oven opening when not in use to stop water from entering into the oven chamber.
- Do not ice or wet-mop the oven floor.
- Do not use steel wire brushes, natural fiber brushes, or wet cloths to clean the oven floor. Use only a brass brushes.

Failure to comply with these instructions may result in product damage.

Oven Floor

Your oven operates at very high temperatures. This high heat self-cleans the oven floor and burns off spilled or stuck-on foods. If stuck-on food becomes a problem during cooking, use a brass oven brush to remove it.

Oven Inside and Outside

1. Allow the oven and any ash/unburnt material to cool completely.
2. Using a brass brush, remove the ashes and place them in a metal container with a tight-fitting lid. *(You may also use one of our ash vacuums)*
3. Pending disposal, place the closed container of ashes on a noncombustible floor or on the ground, well away from all combustible materials.
4. Use warm, soapy water and a soft cloth to clean the exterior of the oven or a stainless steel cleaner spray. Do not use an oven cleaner, as it may damage the surface coating. Wipe the stainless steel with the grain to reduce external scratching of the finish.

Chimney

Regularly inspect the chimney for creosote buildup. We recommend that you sweep your chimney no less than once per year, at a minimum, or as often as is required, based on the type and volume of use. If you are unsure about the process or your ability to clean it, have the chimney cleaned by a professional chimney sweep.

- Use a plastic, wood, or steel brush. Do not use a brush that will scratch the stainless steel liner of the chimney.
- Scrub the spark arrestor with a wire brush.
- You should also remove the chimney cap for cleaning. Be sure to replace the spark arrestor and cap on the chimney after cleaning is complete and before lighting the next fire in your oven.
- **Creosote buildup:** When wood is burned slowly, it produces tar and other organic vapors. These vapors combine with expelled moisture and condense in a relatively cool oven flue of a slow burning fire, accumulating as creosote. When ignited, this creosote makes an extremely hot fire.
- **Soot:** Your oven's top opening will darken with soot over time. While the vent and chimney system do an excellent job of drawing smoke out of the oven interior, soot is an unavoidable part of any wood oven. You may occasionally clean the oven opening with soap and water (with the door firmly in place) or you can allow the opening to naturally become black.

Storage

Cover a completely cooled oven with a protective cover when not in use.

WARRANTY

WPPO LLC, a producer and importer of quality ovens, warrants its WPPO Ovens and their components, including oven body, floor, venting system, factory-installed finishes, stand, door, and accessories (herein referred to as product) to be free from defects in materials and workmanship for a period of one (1) year from the date of shipment. Additionally, WPPO warrants the internal dome welds on the oven to be free from defects for a period of two (2) years. Warranty may be invalidated if product is not correctly installed, operated, and maintained according to all supplied instructions.

QUALIFICATIONS TO THE WARRANTY

The complete Product Warranty outlined above does not apply under the following circumstances:

- (1) The Product was not installed in accordance with WPPO Llc installation instructions and local building codes.
- (2) This Warranty does not apply to any hairline cracking in the ceramic cooking floor, or any problems caused by over-firing, as defined in the Owner's Manual.
- (3) The Product has been subjected to non-standard use, including but not limited to: tossing or throwing firewood into the oven with force, addition of non-approved appliances or burners, burning fuels with abnormal burning characteristics, including: driftwood, coal, plywood, and wood products using a binder that may burn at excessive temperatures and cause damage to the Product.
- (4) The Product has been subjected to icing or wet-mopping the oven while it is still heated (which can cause cracking or damage to the oven floor), or improper chemicals or liquids have been used to clean or sanitize the interior of the oven.
- (5) This Warranty does not cover damage caused from storing any materials on the top of the oven.
- (6) This Warranty does not apply to normal wear and tear of the Product, or on parts that would be worn or replaced under normal conditions, including:
 - (a) Normal, minor cracking due to expansion and contraction stress relief in the refractory materials of the floor tiles.
 - (b) Scratch marks on the stainless steel or powder coated finishes from normal use.
 - (c) Discoloration of exterior finishes in areas repeatedly exposed to smoke, as this is considered normal wear on wood fired pizza ovens.
- (7) This Warranty does not cover damage to, or failure of the Product, resulting from natural causes, or other catastrophe, such as flood, fire, earth movement, wind, or storms.

LIMITATION ON LIABILITY

It is expressly agreed and understood that WPPO Llc sole obligation, and Purchaser's exclusive remedy under this Warranty, and under any other Warranty, expressed or implied otherwise, shall be limited to replacement, repair, or refund up to the original purchase price of the Product, excluding shipping costs, as specified above. Such liability shall not include, and Purchaser or other third parties, specifically renounce any rights to recover special, incidental, consequential, or other damages of any kind whatsoever, including, but not limited to, injuries to persons or damage to property, loss of profits or anticipated profits, damage to business reputation or goodwill, all costs incurred receiving, unloading, moving at your location, and installing WPPO Llc Products, or loss of use of the Product.

In no event shall WPPO Llc be responsible for any incidental or consequential damages caused by defects in its Products, whether such damage occurs, or is discovered before or after replacement or repair, and whether or not such damage is caused by WPPO Llc. The duration of any Warranty with respect to this Product is limited to legitimate claims received within the duration of the foregoing Warranty.

Warranty of replacement parts or Product shall only be from the original purchase date of Product, not date of repair or replacement covered under this Warranty. Parts to be replaced under the Warranty will be repaired or replaced with new or functionally sound parts a WPPO Llc option. Note: Some states do not allow the exclusion or limitation of incidental or consequential damages, or the duration of an implied warranty, so the above exclusion or limitations may not apply to you.

INVESTIGATION OF CLAIMS AGAINST WARRANTY

WPPO Llc reserves the right to investigate any and all claims against this Warranty and to decide upon the method of settlement. Before any Product is returned, WPPO Llc, or its authorized representative, must provide Purchaser with written return authorization and instructions for preparation of the shipment. Failure to properly package Product for return may result in Purchaser being billed by WPPO Llc. WPPO Llc reserves the right to bill Purchaser for return freight if Product was found to be damaged through negligence or was voided, as outlined in this Warranty. Reference your original Terms of Sale Agreement for additional details.

DEALERS HAVE NO AUTHORITY TO ALTER THIS WARRANTY

WPPO Llc employees and dealers have no authority to make any Warranties, nor to authorize any remedies in addition to, or inconsistent with, those stated above.

HOW TO REGISTER A CLAIM AGAINST WARRANTY

In order for any claim under this Warranty to be valid, WPPO Llc must be notified of the claimed defect by either:

Telephone: 815-745-1021

Letter to WPPO Llc: 400 S Railroad St. Warren, IL 61087

Email: info@wppollc.com

All claims against this Warranty should include the Product model, original invoice number, date of installation, a description of the defect, photographs of the area of concern, and a full description of the circumstances giving rise to the Warranty Claim, if known.

Please examine all of the contents of your delivery as soon as possible after receipt and inform WPPO Llc within fifteen (15) days if any items are missing, incorrect, or damaged.

**GET FIRED UP
WITH FAMILY,
FRIENDS, &
FOOD**



400 S. Railroad St. Warren, IL 61087

815-745-1021

info@wppollc.com

www.wppollc.com