



UNIVERSAL APPLIANCE JACKET

PRODUCT
20" APPLIANCE JACKET

Item No. SUNJK20

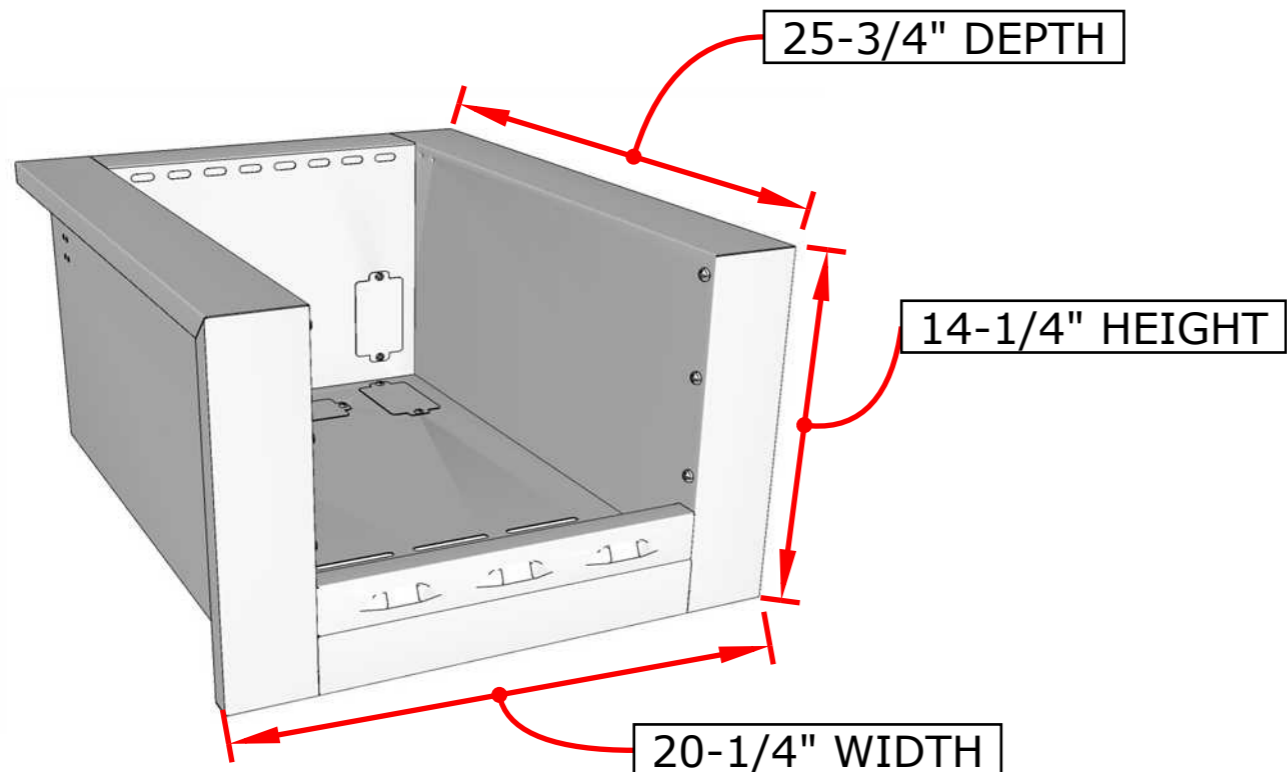
DESCRIPTION
20" JACKET FOR GRILLS WITH
MAX CUT-OUT OF 14"W X 12"H X
22"D - WORKS WITH MOST 15-
16" POWER BURNERS

PRODUCT DIMENSIONS
20-1/4" WIDTH x 14-
1/4" HEIGHT x 25-3/4"
DEPTH

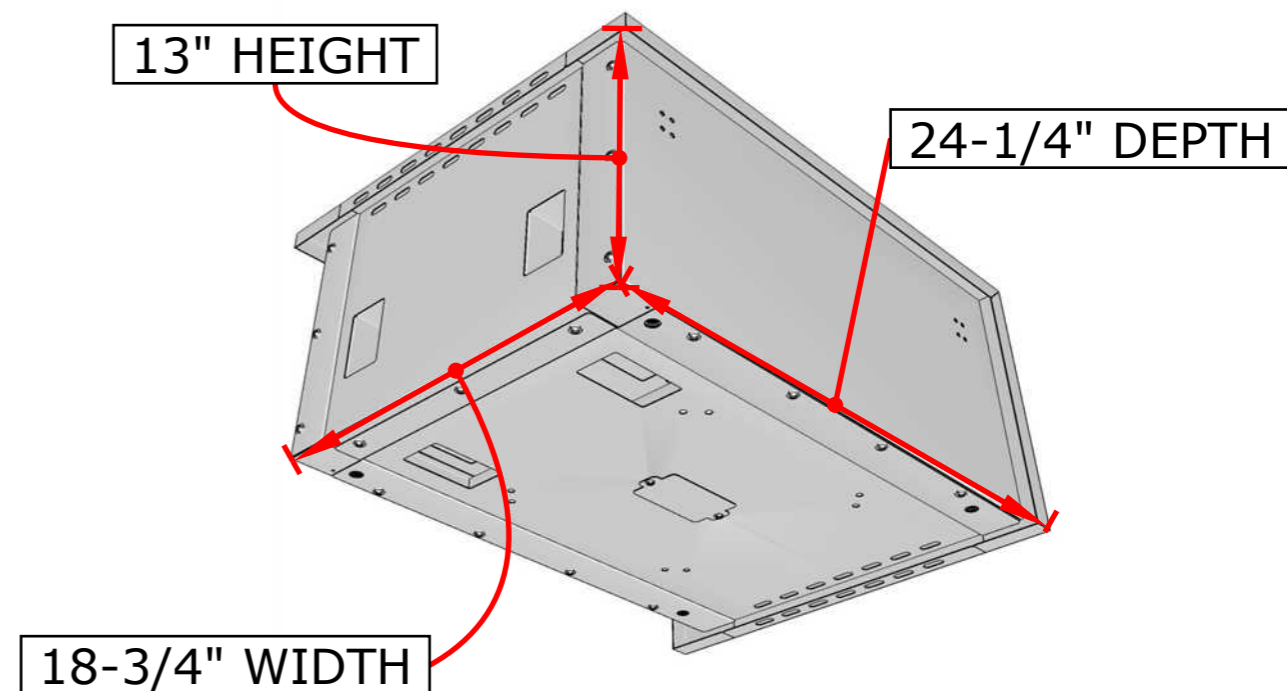
CUT-OUT DIMENSIONS
18-3/4" WIDTH x 13"
HEIGHT x 24-1/4"
DEPTH

SLEEVE DIMENSIONS
14" WIDTH x 10" H W/
VENT PANEL x 20-1/2"
D W/SUPPORT PANEL

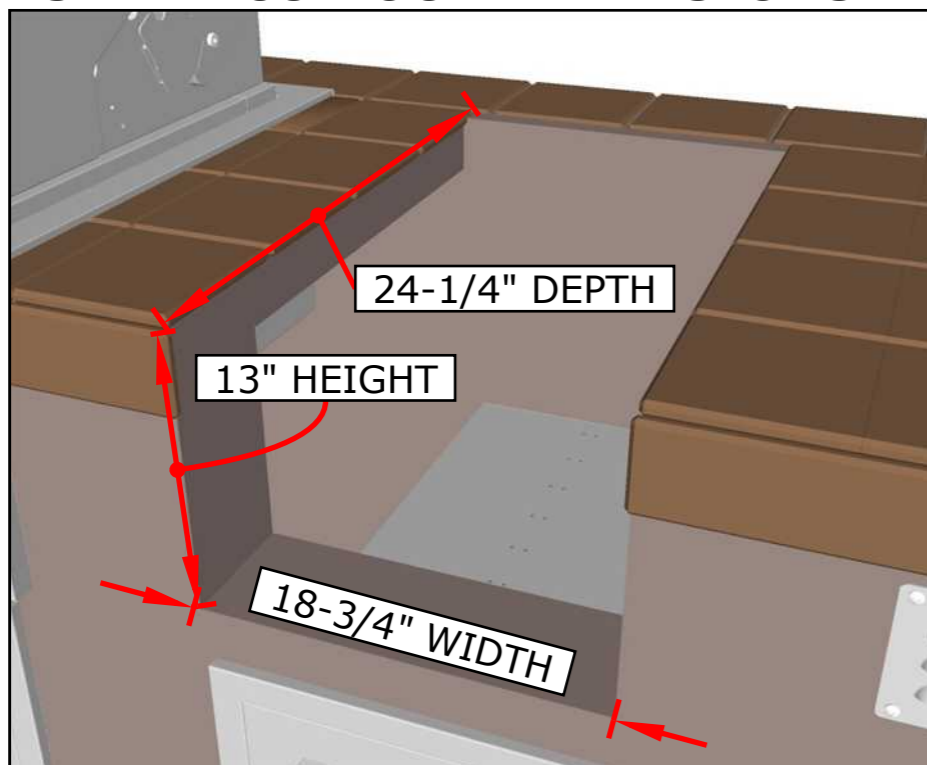
PRODUCT DIMENSIONS



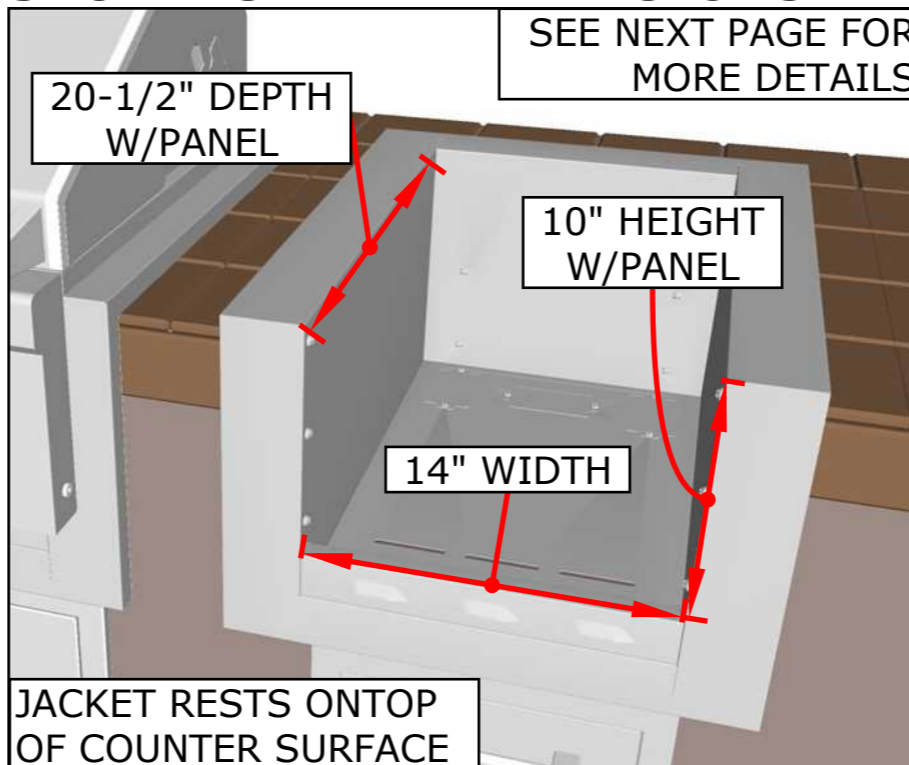
CUT-OUT DIMENSIONS



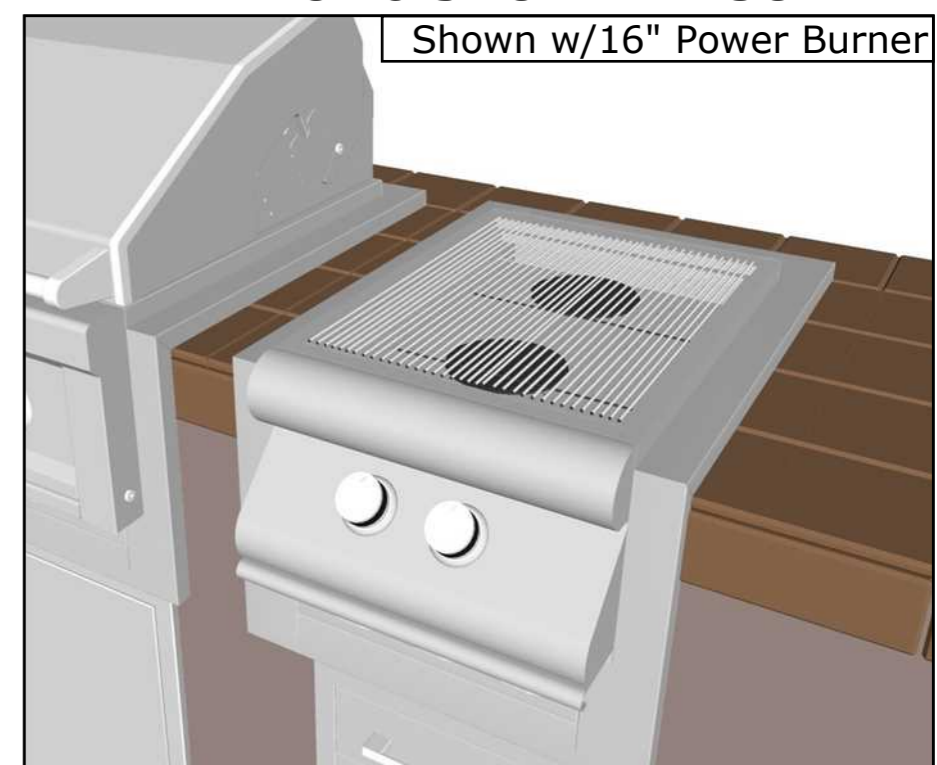
ISLAND CUT-OUT DIMENSIONS



JACKET SLEEVE DIMENSIONS



APPLIANCE & JACKET RESULT





UNIVERSAL APPLIANCE JACKET

PRODUCT
20" APPLIANCE JACKET

Item No. SUNJK20

DESCRIPTION
20" JACKET FOR GRILLS WITH
MAX CUT-OUT OF 14"W X 12"H X
22"D

PRODUCT DIMENSIONS
20-1/4" WIDTH x 14-
1/4" HEIGHT x 25-3/4"
DEPTH

CUT-OUT DIMENSIONS
18-3/4" WIDTH x 13"
HEIGHT x 24-1/4"
DEPTH

SLEEVE DIMENSIONS
14" WIDTH x 10" H W/
VENT PANEL x 20-1/2"
D W/SUPPORT PANEL

Disclaimer: The trademarks used in the "Product Option" column below belong to their respective owners who do not sponsor nor are they affiliated with Sunstone Metal Products, L.L.C. The specific product Cut-Out Dimensions have not been directly confirmed by any Sunstone Metal Products LLC, representative or employee. Use own discretion to confirm exact product fit.

Model Number	Sleeve Cut-Out	Product Option
SUNJK18	12" WIDTH X 10" HEIGHT OR 12" MAX HEIGHT W/VENT PANEL REMOVED X 20" DEPTH OR 22" DEPTH W/SUPPORT PANEL REMOVED	Sunstone® 13" Companion Pro - SUN13CPRO, Sunstone® 13" Double Burner - SUN13VDB, DCS® 14" Double Burner, Coyote® 13" Double Burner, Twin Eagles® 13" Double Burner, Fire Magic® Double Burner
SUNJK20	14" WIDTH X 10" HEIGHT OR 12" MAX HEIGHT W/VENT PANEL REMOVED X 20" DEPTH OR 22" DEPTH W/SUPPORT PANEL REMOVED	16" Blaze® Power Burner, 16" Blaze® Premium Power Burner, 16" RCS® Pro Power Burner
SUNJK25	19" WIDTH X 10" HEIGHT OR 12" MAX HEIGHT W/VENT PANEL REMOVED X 20" DEPTH OR 22" DEPTH W/SUPPORT PANEL REMOVED	21" Fire Magic® Power Burner, 20" Lynx® Power Burner
SUNJK29	23" WIDTH X 10" HEIGHT OR 12" MAX HEIGHT W/VENT PANEL REMOVED X 20" DEPTH OR 22" DEPTH W/SUPPORT PANEL REMOVED	Sunstone® 24" Power Cirque SUN24PCB, DCS® 24" Power Burner, DCS® 30" Burner w/Griddle, Coyote® 24" Power Burner, Hestan® Power Burner, Alfresco® 24" Versa Power, Blaze® 25" 3-Burner Grill AMG® 24" Power Burner
SUNJK33	26" WIDTH X 10" HEIGHT OR 12" MAX HEIGHT W/VENT PANEL REMOVED X 20" DEPTH OR 22" DEPTH W/SUPPORT PANEL REMOVED	Sunstone® 28" Charcoal SUNCHDZ28, Sunstone® 30" Hybrid Grill SUNCHSZ30, Sunstone® 30" Ruby Grill RUBY3B, Blaze® 32" 4-Burner Grill, Fire Magic® Aurora® Grill, Coyote® 28" 2-Burner Grill
SUNJK40	34" WIDTH X 10" HEIGHT OR 12" MAX HEIGHT W/VENT PANEL REMOVED X 20" DEPTH OR 22" DEPTH W/SUPPORT PANEL REMOVED	Sunstone® 36" 4-Burner Grill RUBY4B & RUBY4BIR, Coyote® 36" Charcoal Grill, Twin Eagles® 36" 3-Burner Grill
SUNJK45	39" WIDTH X 10" HEIGHT OR 12" MAX HEIGHT W/VENT PANEL REMOVED X 20" DEPTH OR 22" DEPTH W/SUPPORT PANEL REMOVED	Sunstone® 42" Hybrid Grill SUNCHDZ42, Sunstone® 42" 5-Burner Grill RUBY5BIR, Blaze® 40" 5-Burner Grill, Napoleon® 42" 5-Burner Grill, Lion® 40" 5-Burner Grill, Coyote® 42" 5-Burner Grill, Fire Magic® 36" Gas Grill, Summerset® 38"(40") 4-Burner Grill, Bull® 38" 5-Burner Grill

