



UNIVERSAL APPLIANCE JACKET

PRODUCT
18" APPLIANCE JACKET

Item No. SUNJK18

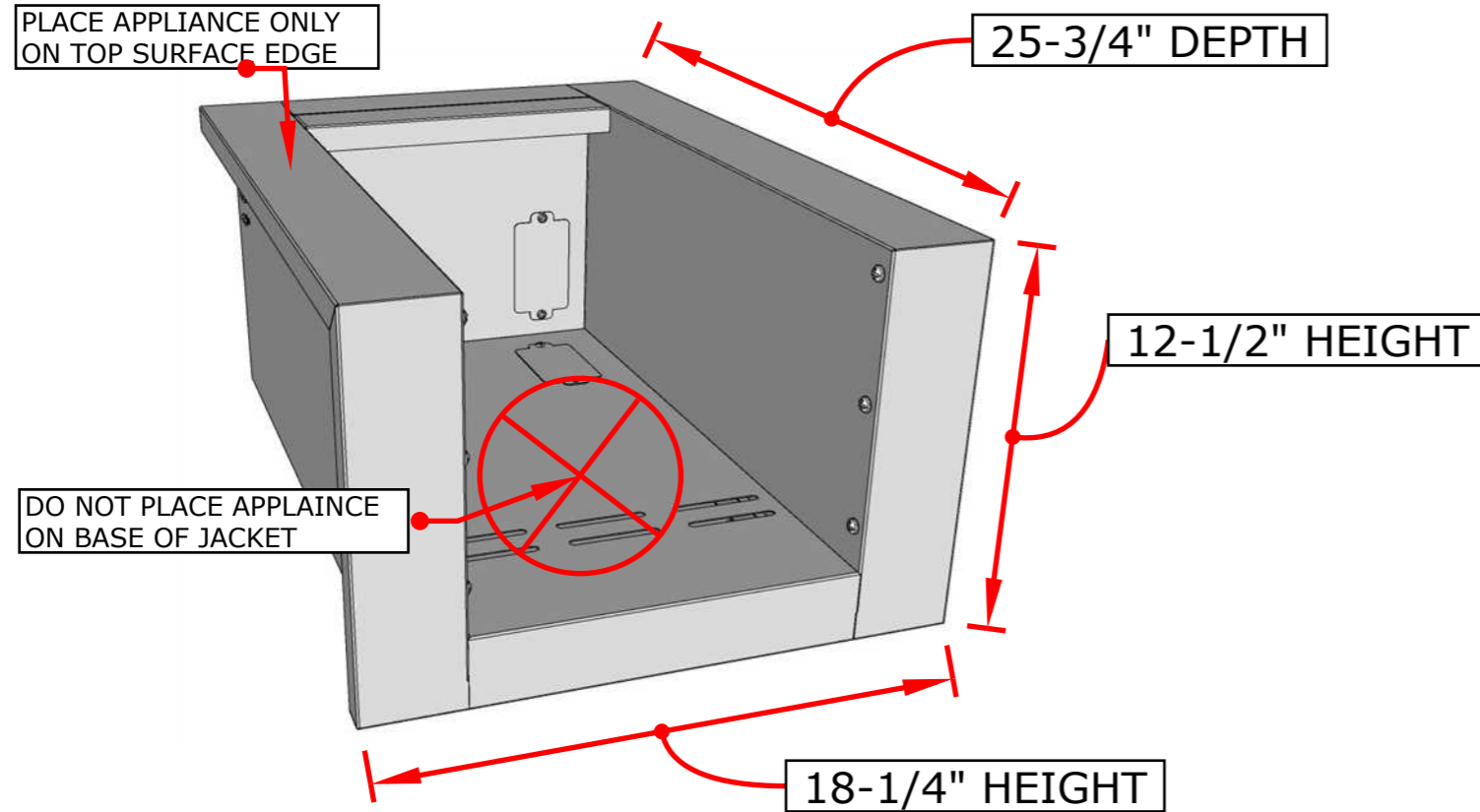
DESCRIPTION
18" JACKET FOR GRILLS WITH
MAX CUT-OUT OF 12"W X 10"H X
22"D - WORKS W/SUN13VDB &
SUN13CPRO

PRODUCT DIMENSIONS
18-1/4" WIDTH x 12-
1/2" HEIGHT x 25-3/4"
DEPTH

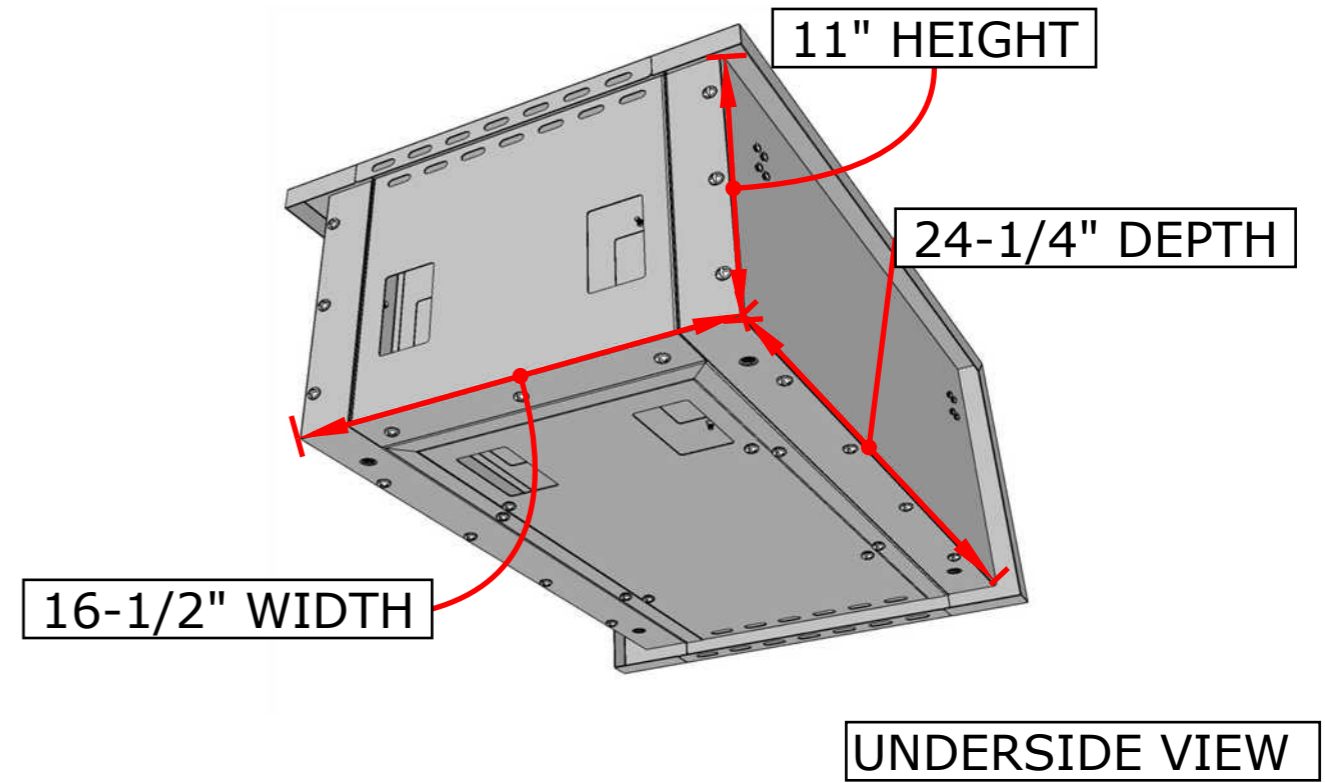
CUT-OUT DIMENSIONS
16-1/2" WIDTH x 11"
HEIGHT x 24-1/4"
DEPTH

SLEEVE DIMENSIONS
12" WIDTH x 10"
HEIGHT x 22" DEPTH

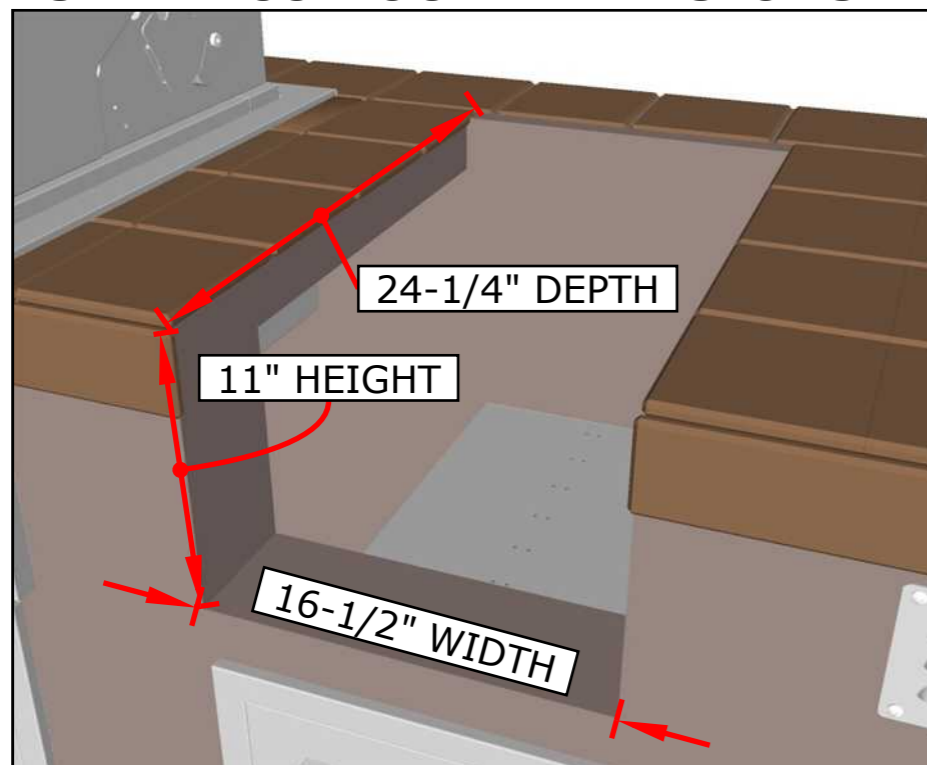
PRODUCT DIMENSIONS



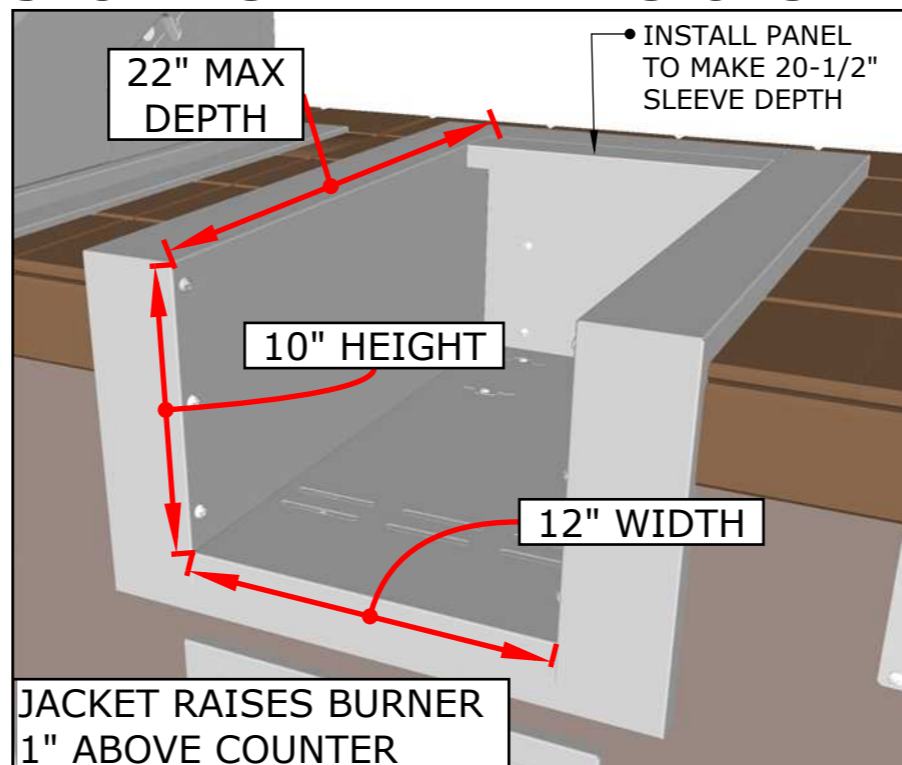
CUT-OUT DIMENSIONS



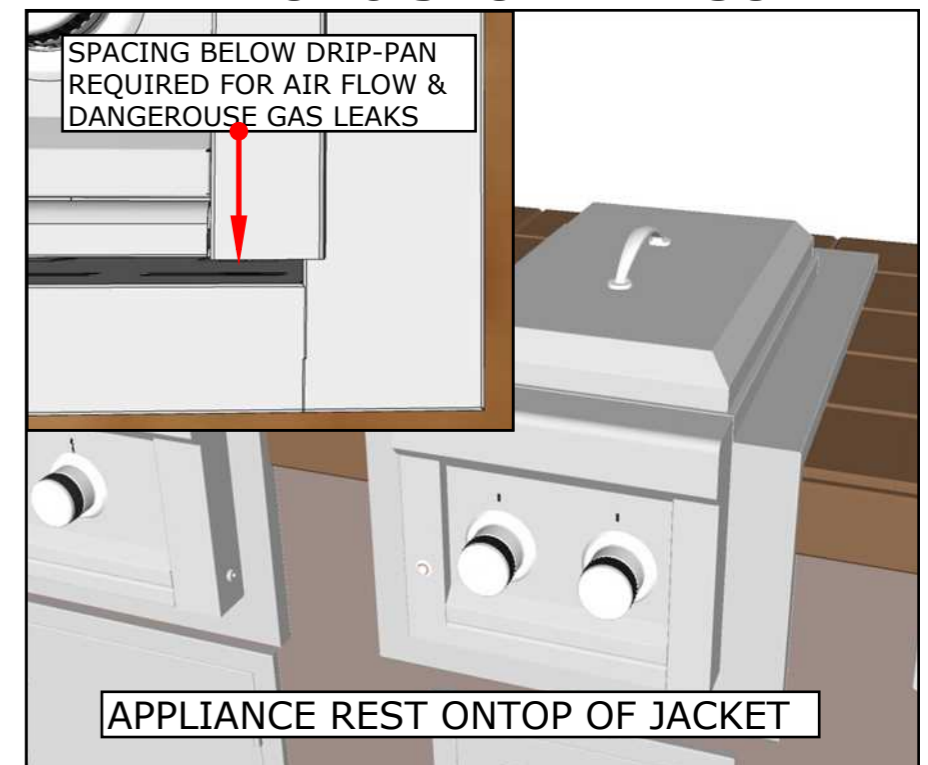
ISLAND CUT-OUT DIMENSIONS



JACKET SLEEVE DIMENSIONS



APPLIANCE & JACKET RESULT





UNIVERSAL APPLIANCE JACKET

PRODUCT
18" APPLIANCE JACKET

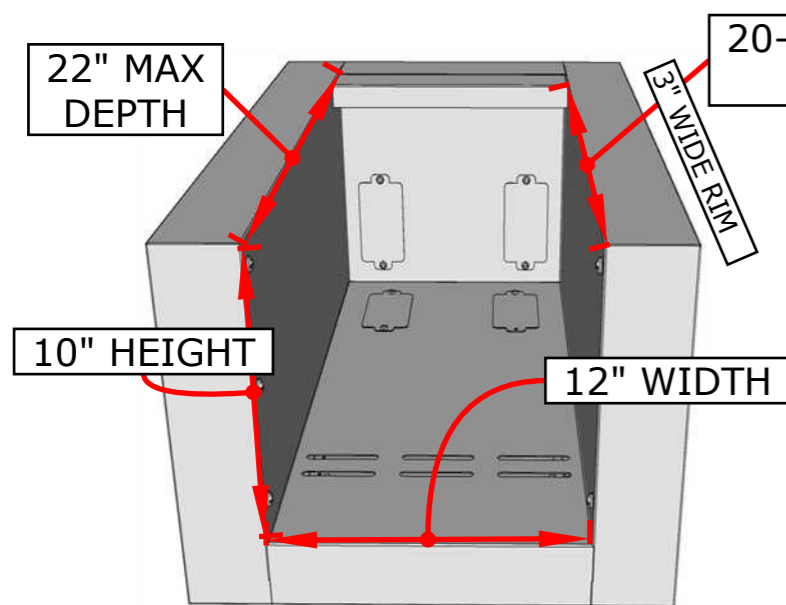
Item No. SUNJK18

DESCRIPTION
18" JACKET FOR GRILLS WITH
MAX CUT-OUT OF 12"W X 10"H X
22"D - WORKS W/SUN13VDB &
SUN13CPRO

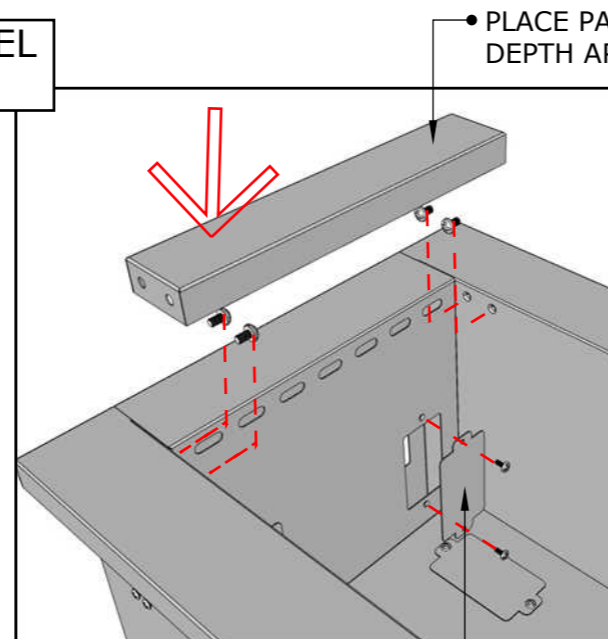
PRODUCT DIMENSIONS
18-1/4" WIDTH x 12-
1/2" HEIGHT x 25-3/4"
DEPTH

CUT-OUT DIMENSIONS
16-1/2" WIDTH x 11"
HEIGHT x 24-1/4"
DEPTH

SLEEVE DIMENSIONS
12" WIDTH x 10"
HEIGHT x 22" DEPTH



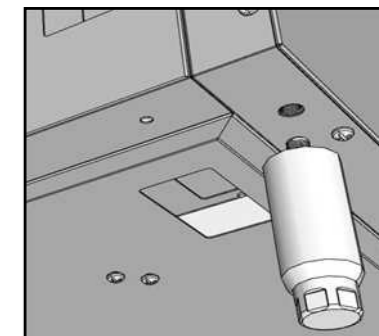
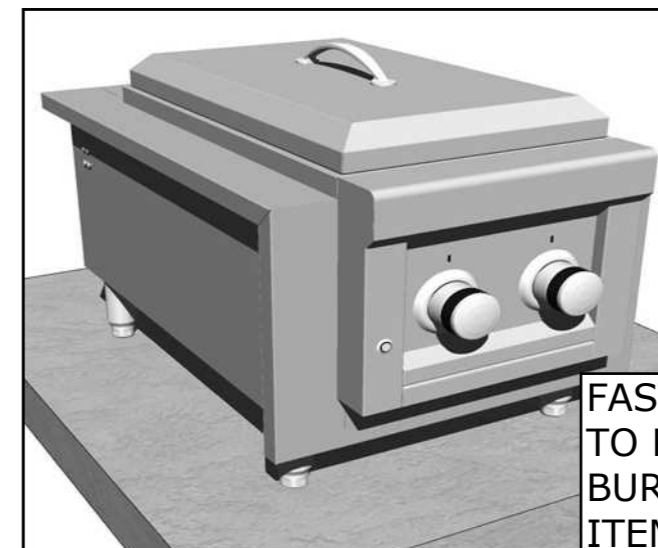
20-1/2" W/PANEL
INSTALLED



• PLACE PANEL FOR SHORTER
DEPTH APPLIANCE OR BURNER

• L/R REMOVABLE
ACCESS PANELS

APPLIANCE RESTS ON TOP
OF JACKET TOP EDGE SURFACE



FASTEN IN PEG-LEGS
TO PLACE JACKET &
BURNER ON ANY SURFACE
ITEM NUMBER

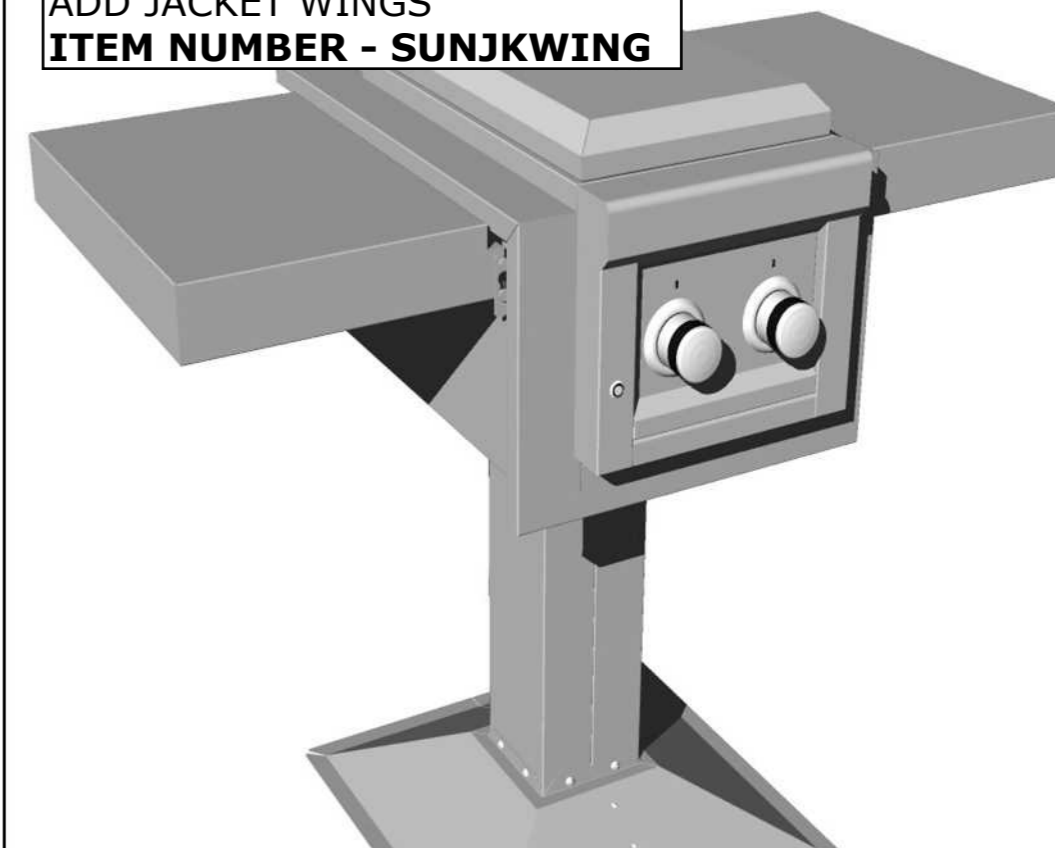
service@sunstonemetalproducts.com

CALL OUR TECH. SUPPORT 888-934-9449

Disclaimer: The trademarks used in the "Product Option" column below belong to their respective owners who do not sponsor nor are they affiliated with Sunstone Metal Products, L.L.C. The specific product Cut-Out Dimensions have not been directly confirmed by any Sunstone Metal Products LLC, representative or employee. Use own discretion to confirm exact product fit.

Model Number	Sleeve Cut-Out	Product Option
SUNJK18	12" WIDTH x 10" HEIGHT x 22" DEPTH OR 20-1/2" DEPTH W/PANEL INSTALLED	Sunstone® 13" Companion Pro - SUN13CPRO, Sunstone® 13" Double Burner - SUN13VDB, DCS® 14" Double Burner, Coyote® 13" Double Burner, Twin Eagles® 13" Double Burner, Fire Magic® Double Burner
SUNJK29	23" WIDTH X 10" HEIGHT, REMOVE VENT PANEL FOR 12" MAX HEIGHT X 22" DEPTH	Sunstone® 24" Power Cirque SUN24PCB, DCS® 24" Power Burner, DCS® 30" Burner w/Griddle, Coyote® 24" Power Burner, Hestan® Power Burner, Alfresco® 24" Versa Power, Blaze® 25" 3-Burner Grill
SUNJK33	26" WIDTH X 10" HEIGHT, REMOVE VENT PANEL FOR 12" MAX HEIGHT X 22" DEPTH	Sunstone® 28" Charcoal SUNCHDZ28, Sunstone® 30" Hybrid Grill SUNCHSZ30, Sunstone® 30" Ruby Grill RUBY3B, Blaze® 32" 4-Burner Grill, Fire Magic® Aurora® Grill, Coyote® 28" 2-Burner Grill
SUNJK40	34" WIDTH X 10" HEIGHT, REMOVE VENT PANEL FOR 12" MAX HEIGHT X 22" DEPTH	Sunstone® 36" 4-Burner Grill RUBY4B & RUBY4BIR, Coyote® 36" Charcoal Grill, Twin Eagles® 36" 3-Burner Grill
SUNJK45	39" WIDTH X 10" HEIGHT, REMOVE VENT PANEL FOR 12" MAX HEIGHT X 22" DEPTH	Sunstone® 42" Hybrid Grill SUNCHDZ42, Sunstone® 42" 5-Burner Grill RUBY5BIR, Blaze® 40" 5-Burner Grill, Napoleon® 42" 5-Burner Grill, Lion® 40" 5-Burner Grill, Coyote® 42" 5-Burner Grill, Fire Magic® 36" Gas Grill, Summerset® 38"(40") 4-Burner Grill, Bull® 38" 5-Burner Grill

ADD JACKET WINGS
ITEM NUMBER - SUNJKWING



UPGRADE TO SUNSTONE
APPLIANCE POST MOUNT
ITEM NUMBER - SUNJKPOST