



ASSEMBLY INSTRUCTIONS

READY-TO-FINISH CUSTOM OUTDOOR KITCHENS



Custom Outdoor Kitchens Made Easy



DANGER: If you plan to install any natural gas or propane appliances into this island, the island itself must be ventilated properly in accordance with appliance manufacturer requirements and local codes. Any island that has any sort of gas supply or connection must have a minimum of 1 vent. Improper ventilation may cause property damage, injury or death.

WARNING: Excessive weight hazard! Use two or more people to move, assemble or install panels and parts to avoid back injury.

Do not leave children unattended nearby while assembling. Choking hazard-small parts.

For more information, questions or assistance please visit us at RCSGasGrills.com and click the Customer Care Form

TOOLS NEEDED: To complete assembly, you will need additional tools like: a tape measure, a power drill, a driver bit for 5/16" and 1/4" hex bits, a leveler and gloves for safety.

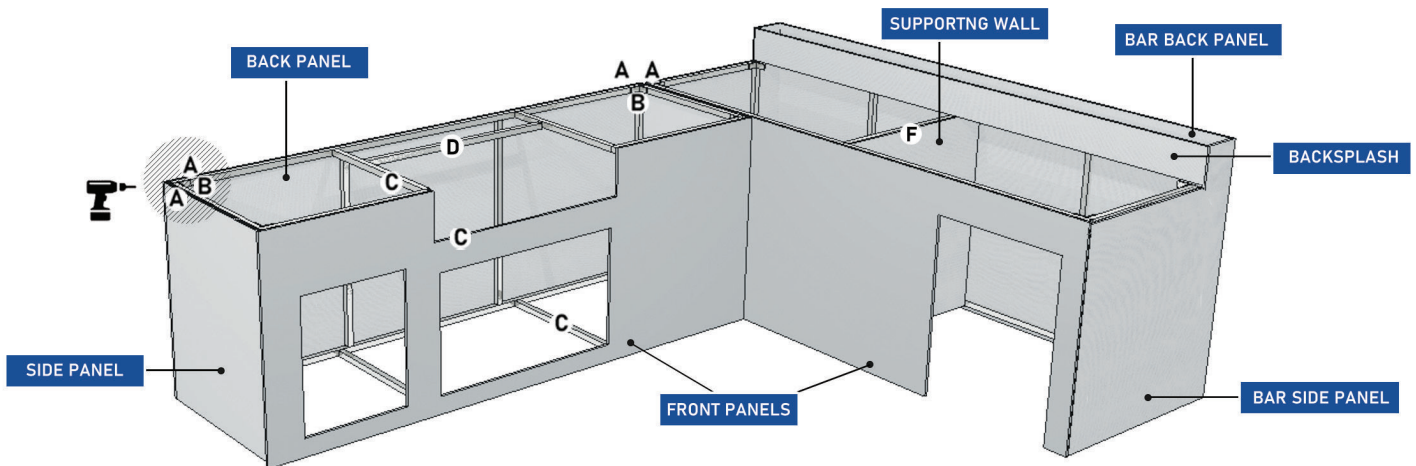
UNPACK AND STAGE COMPONENTS:

Plan your island location prior to beginning assembly. Moving the island once complete is not advised.

- Begin by placing the pallet on a flat surface. The kit includes all pre-assembled structural panels and all accessories and hardware. Remove all parts and stage them aside.
- Use the checklist below to mark off each item as you find it. Depending on your specific layout configuration, some kitchens may come with additional bar components or other optional parts.

INTRODUCTION

All the structural panels, bars and hardware will have stickers on them. To identify each component and understand what each sticker represents use the below identification.



KIT PANELS AND HARDWARE CHECK LIST

Back Panel	<input type="checkbox"/>
Bar Back Panel	<input type="checkbox"/>
Side Panel (Right/Left)	<input type="checkbox"/>
Bar Side Panel (Right/Left)	<input type="checkbox"/>
Backsplash Panel	<input type="checkbox"/>
Front Panel	<input type="checkbox"/>
Supporting Wall (labeled F)	<input type="checkbox"/>
Self-drilling screws Bag (labeled A)	<input type="checkbox"/>
Self-drilling screws Bag (labeled B)	<input type="checkbox"/>
Self-drilling screws Bag (labeled C)	<input type="checkbox"/>
Self-drilling screws Bag (labeled D)	<input type="checkbox"/>
Self-drilling screws Bag (labeled F)	<input type="checkbox"/>
Cross Bars (labeled C)	<input type="checkbox"/>
Supporting Wall (labeled F)	<input type="checkbox"/>
Optional Reinforcement Bar (labeled D)	<input type="checkbox"/>
	<input type="checkbox"/>

ASSEMBLY INSTRUCTIONS

Effective September 2024

The order you assemble your kitchen modules can depend on the overall shape of your kitchen. Begin by assembling the cabinets that will determine your countertop height. Next, focus on assembling any modules that include backsplashes or bar components. This can simplify attaching these elements later in the process. Once you've determined your assembly order, you can refer to the following steps for detailed instructions:

STEP 1 : ASSEMBLE FIRST MODULE BACK AND SIDE PANELS

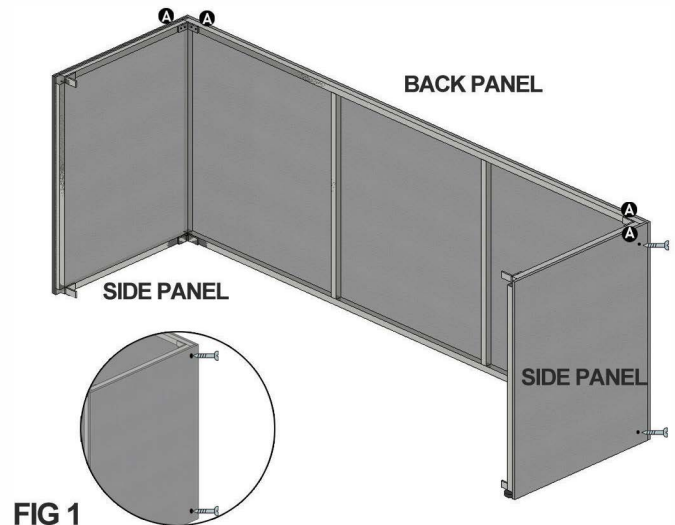
Identify either the left or right universal side panel. Each side panel is equipped with L brackets labeled B and self-leveling feet.

Connect the back panel to the side panels. Align the channels of the side panels and shim them as needed to ensure proper alignment.

Using self-drilling screws from bag A, secure the side panel (labeled A) to the back panel (also labeled A).

Screw from the outer side of the panel into the support bar on both the top and bottom (FIG 1)

Repeat this step for the opposite side panel.

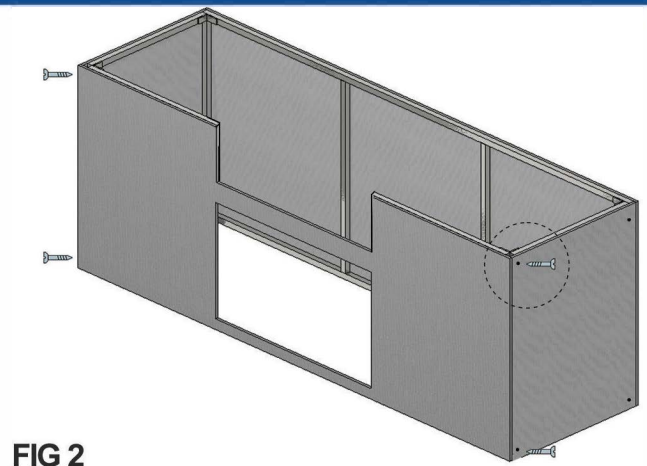


STEP 2 : ATTACH THE FRONT PANEL

Proceed to attach the FRONT PANEL to the rest of the frame.

Use self-drilling screws (bag A) to secure the FRONT PANEL on both sides.

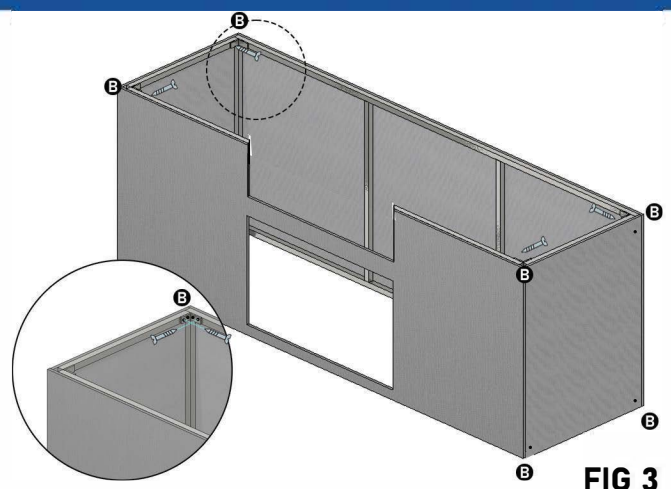
Screw from the outer side of the SIDE PANEL into the FRONT PANEL SUPPORT BAR on both the top and bottom. Repeat this step for the opposite side.



STEP 3 : SECURE L BRACKETS

Using screws (found in bag B) secure the the pre-attached metal L brackets (labeled B) to the frame (FIG 3).

Repeat step for each corner bottom and top.



STEP 4 : INSTALL TOP AND BOTTOM CROSS BARS "C"

Identify the CROSS BARS "C". Locate the "C" stickers on the inside of the kitchen module you're assembling.

The sticker(s) will indicate the designated location where cross bars are required for your specific module (typically 2 or 3).

Place the cross bars "C" horizontally across the bottom and top of the cabinet module in their designated locations ensuring they run parallel to the side panels.

Using the screws labeled "C", fasten the cross bar(s) to the frame (FIG 4). Ensure the cross bar(s) sits flush with the edge of the frame.

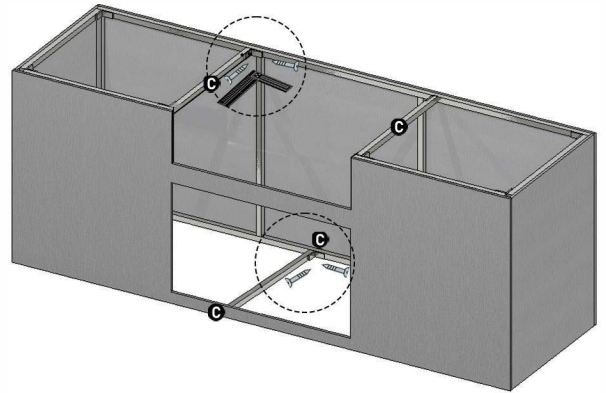


FIG 4

STEP 5 : INSTALL "D" BAR REINFORCEMENT (OPTIONAL)

This step is only necessary if you plan to install a small countertop section behind your grill, griddle or side burner. If you intend to use a full-length countertop or have no appliances planned for this section, you can skip this step.

For easier installation of the "D" bar, you may find it helpful to temporarily loosen the screws connecting the back bracket of one of the "C" bars to the back panel. This will create more space for the "D" bar to slide in.

Using the screws labeled "D", fasten the "D" bar to one of the "C" bars.

Slide the "D" bar into place between the two "C" bars, aligning it with the "D" markings on the "C" bars.

Make sure the "D" bar is positioned parallel to the front and back panels and perpendicular to the "C" bars.

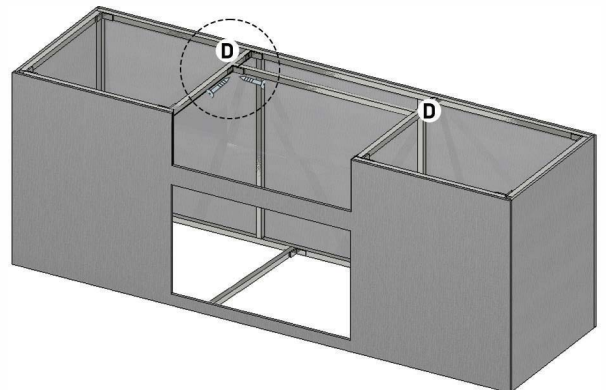


FIG 5

STEP 6 : SUPPORTING WALL INSTALLATION (IF APPLICABLE)

Note: This step applies only to modules exceeding 10 feet in length.

Find the sticker labeled "F" on the frame of the kitchen module you're assembling. Take the supporting wall panel labeled "F" (it resembles a side panel but lacks a flange).

Stand the panel upright and position it against the designated location marked by the "F" sticker on the frame.

Using the screws labeled "F", securely fasten the supporting wall panel(s) to the frame on top and bottom.

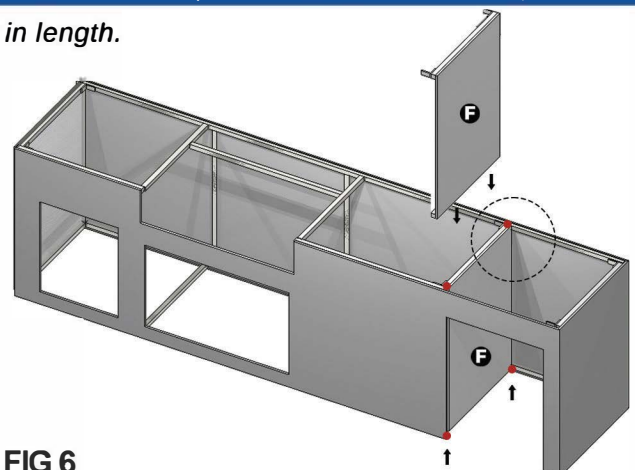


FIG 6

Great work! You've assembled one of your kitchen modules. Now, let's proceed based on your kitchen configuration:

- **SINGLE MODULE KITCHEN:** If your kitchen has only one module, you're ready for the finishing touches: countertops, appliances, and finishes.
- **MULTIPLE MODULES:** For kitchens with multiple modules, simply repeat the assembly steps you've just completed for this module on each remaining module in your layout.
- **BAR MODULE ASSEMBLY (OPTIONAL):** If your kitchen has a dedicated bar area, proceed to Steps 7-9.

STEP 7 : BAR MODULE ASSEMBLY (IF APPLICABLE)

ATTACH BAR SIDE PANEL(S) TO BAR BACK PANEL:

Begin by positioning the Bar Back Panel and one of the Bar Side Panel upright. Locate the matching stickers labeled "A-A" on both the Bar Side Panel and the Bar Back Panel. Ensure these markings align perfectly.

SECURE SIDE PANEL (S) TO BACK PANEL: Using the self-drilling screws from Bag A, securely fasten the Bar Side Panel to the back panel at three points: top, middle, and bottom. Ensure you're screwing from the outside of the Bar Side Panel into the Back Panel metal frame. Repeat for Opposite Side.

SECURE L BRACKETS: Using the screws from Bag B, fasten the pre-attached L brackets on the Side Panels (top and bottom) directly to the metal frame. Repeat for Opposite Side.

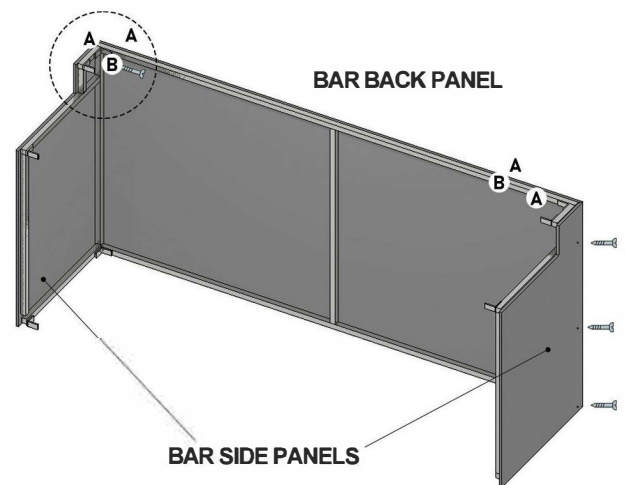


FIG 7

STEP 8 : BAR SUPPORTING WALL INSTALLATION (IF APPLICABLE)

Note: This step only applies to bar modules exceeding 10 feet in length.

Find the sticker labeled "F" on the inside of the bar module frame you're assembling. The "F" sticker will indicate the quantity of supporting wall panels needed for this particular bar module (typically 1-2).

Take the supporting wall panel labeled "F" (it resembles a side panel but lacks a flange). Stand the panel upright and position it against the designated location marked by the "F" sticker on the frame. Ensure the supporting wall panel runs parallel to the Side Panels of the bar module.

Using the screws labeled "F", securely fasten the supporting panel "F" to the top and bottom of the Back Panel through the pre-attached L brackets.

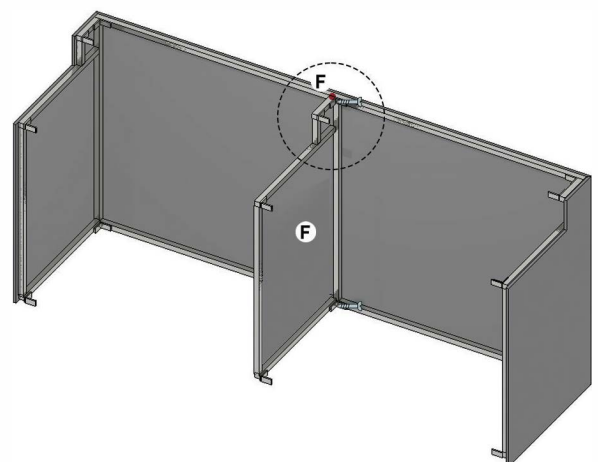


FIG 8

STEP 9 : BAR FRONT PANEL INSTALLATION

Locate the sticker labeled "A" on both the front panel and each of the side panels. Carefully position the front panel so that the "A" stickers on all three panels align.

Using the self-drilling screws from Bag A, fasten the front panel to each side panel at three points: top, middle, and bottom (Fig 9)

Ensure you're screwing from the outside of the side panel into the metal frame of the front panel.

ATTACH REMAINING L BRACKETS:

Use the screws from Bag B to secure the pre-attached L brackets on the Bar Side Panels to the front panel.

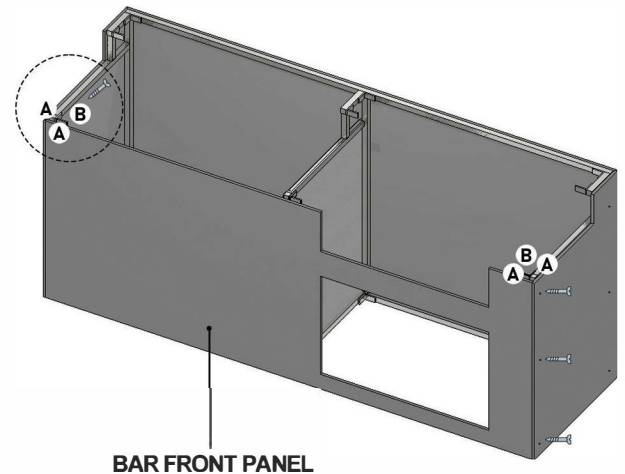


FIG 9

STEP 10 : BAR BACKSPLASH PANEL INSTALLATION

Locate the Backsplash and place it in position. Using self-tapping hex screws from Bag A, secure the Backsplash Panel to each of the Side Panels by screwing from the outside of the side panel into the metal frame of the backsplash at the top and bottom. (FIG 10)

Secure the remaining L brackets on the bar side panels (identified by stickers labeled "B"). Screw from the inner corner of the L brackets into the backsplash panel using screws bag B. Repeat this step for the opposite corner. (FIG 10)

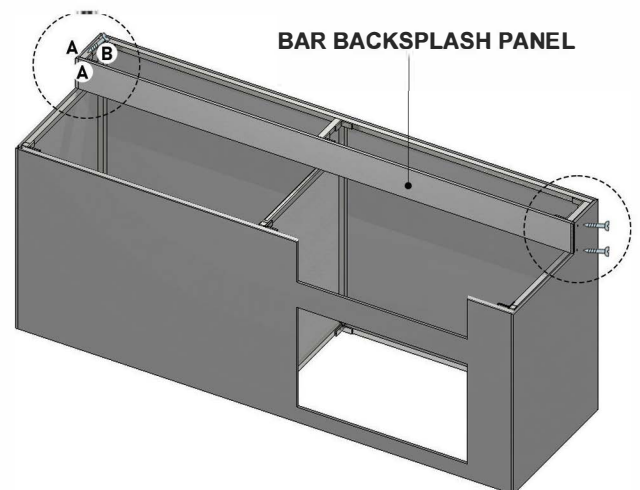


FIG 10

STEP 11 : BAR MODULE CROSSBARS INSTALLATION (OPTIONAL)

This step equips your bar module with crossbars for holding appliances (if your bar design includes a grill, griddle, or side burner).

Skip this step if your bar module is not designed to accommodate appliances.

The installation process for these crossbars is very similar to the procedures you followed in Steps 4 and 5 of this manual.

Locate the designated areas for the crossbars "C" and "D" on your bar module frame (refer to markings provided).

Position the crossbars in place and secure them using corresponding screws bags "C" and "D".

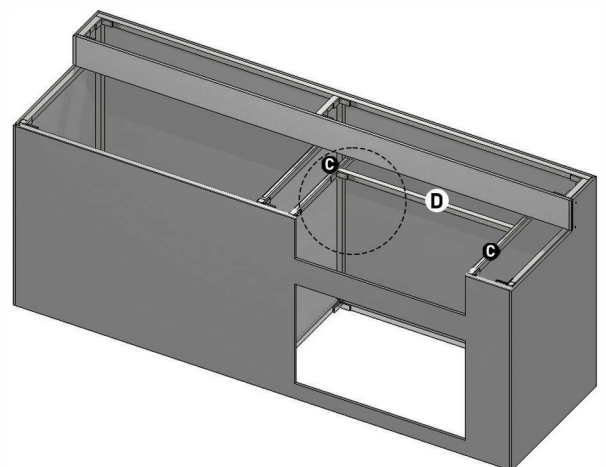


FIG 11

Once you've finished assembling all the individual modules, it's time to connect them together to form your complete outdoor kitchen.

STEP 12 : CONNECT MODULES

Carefully move the assembled modules into their designated positions according to your kitchen layout.

Secure Modules Together using the cement board screws (Bag G), work from inside each module. Drive the screws through the Side Panel of the module frame and into the exterior Side Panel of the adjoining module.

Fasten the modules together with six screws at each connection point.

Repeat this process for each connection point between modules in your kitchen layout.

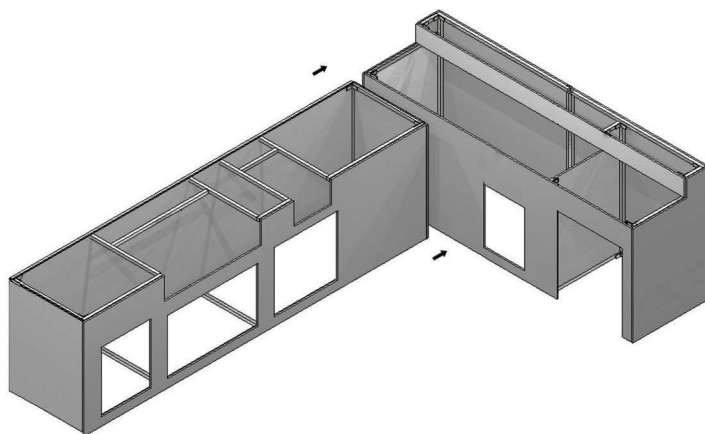


FIG 12

STEP 13: PERSONALIZE YOUR KITCHEN (ADDING FINISHING TOUCHES)

U-Shaped Kitchens:

- Connect the modules: Follow Step 12 to connect the modules for your U-shaped kitchen configuration.

Freestanding Bars & Separate Modules:

- Assemble additional units: If you have a freestanding bar or separate modules, repeat the assembly steps (refer to the manual) for each one.

Finishing Touches:

- Customize your space: Once the kitchen modules are assembled, you can add storage components, stone veneer finishes, countertops, and appliances.

