



PRESTIGE[®] PRO

Owner's Manual

PRO500VX

Grills illustrated in this manual
may differ from model purchased.

We Want Your Feedback!
Visit Napoleon.com to write a review.



Apply Serial Number



P.59

P.17

CONGRATULATIONS ON YOUR NAPOLEON® GRILL!

You've Just Upgraded Your Grilling Game.

USE ONLY OUTDOORS IN A WELL VENTILATED AREA.

⚠️ DANGER! ⚠️

IF YOU SMELL GAS:

- Shut off gas to the appliance.
- Extinguish any open flame.
- Open lid.
- If odor continues, keep away from the appliance and immediately call your gas supplier, or fire department.

⚠️ WARNING! ⚠️

Do not try to light this appliance without reading the “LIGHTING” instructions section of this manual.

Do not store or use gasoline, or other flammable liquids or vapors in the vicinity of this or any other appliance.

An L.P. (propane) cylinder not connected for use must not be stored in the vicinity of this or any other appliance.

If the information in these instructions is not followed exactly, a fire or explosion may result and cause property damage, personal injury, or death.



OUR GOAL IS TO MAKE YOUR GRILLING EXPERIENCE BOTH MEMORABLE AND SAFE.



Please read this Owner's Manual before using the appliance to avoid property damage, personal injury, or death.



Remove all packaging material, promotional labels and cards from the grill before use.



Alert adults and children about the hazard of hot surface temperatures.



Children should be supervised to ensure that they do not play with the appliance.

NOTICE TO INSTALLER:

Leave these instructions with the grill owner for future reference.

NOTICE TO CONSUMER:

Keep these instructions for future reference.

Welcome to NAPOLEON®!

Safety First

WARNING!

General Information

This grill should be installed in conformity with local codes. In absence of local codes, install to the current Natural Gas and Propane Installation Code CSA B149.1 in Canada, or the National Fuel Gas Code ANSI Z223.1/NFPA 54 in the United States.

If an external electrical source is utilized, the appliance must also be grounded in accordance with local codes. In absence of local codes, follow the current Canadian Electrical Code CSA C22.1 in Canada, or the National Electrical Code NSI/NFPA 70 in the United States.

WARNING!

Storage & Disuse

Turn off gas at the propane cylinder or natural gas supply valve. Disconnect the hose between the propane cylinder and grill. Remove the propane cylinder and store outdoors in a well-ventilated space away from children.

Unplug from the outlet when not in use and before cleaning. **DO NOT** store propane cylinders in a building, garage, shed, or any other enclosed space. Disconnect the natural gas hook-up from the supply when storing the grill indoors.

Place dust cap on cylinder valve outlet whenever the cylinder is not in use. Only install the type of dust cap on the cylinder valve outlet that is provided with the cylinder valve. Other types of caps or plugs may result in leakage of propane.

WARNING!

Operation

Leak test this grill before each use, annually and when any gas components are replaced.

Follow the lighting instructions carefully. Do not use this grill for purposes other than intended.

Do not operate this grill with a damaged cord, plug, or after the grill malfunctions or has been damaged in any manner. Contact NAPOLEON for repair.

This appliance is not intended for use by persons (including children) with reduced physical, sensory or mental capabilities, or lack of experience and knowledge, unless they have been given supervision or instruction concerning use of the appliance by a person responsible for their safety.

WARNING!

Installation & Assembly

Assemble this grill exactly as instructed in the Assembly Guide. If the grill was assembled in-store, review the assembly instructions to ensure it is done correctly. This grill is not intended to be installed in or on boats or installed in or on recreational vehicles.

Perform the required Leak Test before operating the grill. Do not modify this grill under any circumstances. Allow grill to cool before installing or removing parts. Do not use a cylinder that is not equipped with a QCC1 type connection. Only use the pressure regulator and hose assembly supplied with this grill or replacement parts specifically recommended by NAPOLEON.

 **WARNING!****Electrical Precautions**

To protect against electric shock, do not immerse the cord or plugs in water or other liquid. Do not let the cord hang over the edge of a table or touch hot surfaces. When connecting, first connect the plug to the grill, then plug the grill into the outlet.

Use only a Ground Fault Interrupter (GFI) protected circuit with this grill. Never remove the grounding plug or use with an adapter of two prongs. This appliance incorporates an earth connection for functional purposes only.

Only use extension cords with a three-prong grounding plug, rated for the power of the grill, and approved for outdoor use with a W-A marking.

If the electrical supply cord is damaged, it must be replaced by a Napoleon authorized dealer, its service agent, or similarly qualified persons in order to avoid a hazard.

 **WARNING!****California Proposition 65**

This product can expose you to chemicals including soot, which are known to the State of California to cause cancer, and chemicals including carbon monoxide, which are known to the State of California to cause birth defects or other reproductive harm. For more information go to www.p65warnings.ca.gov.

CONTENTS

Welcome to NAPOLEON®!	4
Safety First	4
Full System Features	8
Getting Started	10
Safety Symbols You Should Know	10
Additional Safe Operating Practices	10
Locating Your Grill	12
Gas Connections	13
Leak Test	16
Quick Start Instructions	17
Napoleon Connectivity	18
Pairing Mode Activation Guide	20
System Overview and Operation	21
Control Features (If equipped)	21
Lighting Your Grill	28
How to Use the Rotisserie	32
Storage	33
The Grilling Experience Checklist	34
ACCU-PROBE® Cook Assist	35
Compatible Devices	35
Display Operation	36
Safeguards	38
Clearance	38
Infrared Grilling Guide	39
Cleaning Instructions	41
Cleaning your Grill for First Time Use	41
Stainless Steel Grids	41
Infrared Side Burner	41
Inside of the Grill	42
Drip Pan	43
Thermocouples	43
Control Panel	44

Aluminum Castings	44
Outside Grill Surface	44
Insect Screen and Burner Ports	45
Temperature Probes	46
<hr/>	
Maintenance Instructions	47
General Requirements	47
Combustion Air Adjustment	47
Stainless In Harsh Environments	48
<hr/>	
Troubleshooting	50
Lighting Problems	50
Gas Flow	51
Peeling Paint	52
Pairing the App with the Appliance	53
<hr/>	
Diagram for Electrical Connections	55
<hr/>	
Compliance	56
<hr/>	
Warranty	57

Full System Features

Dual-level Stainless Steel Sear Plates for consistent even heating and vaporizing drippings for more flavourful food

Rear Infrared Rotisserie Burner to enjoy succulent rotisserie meals

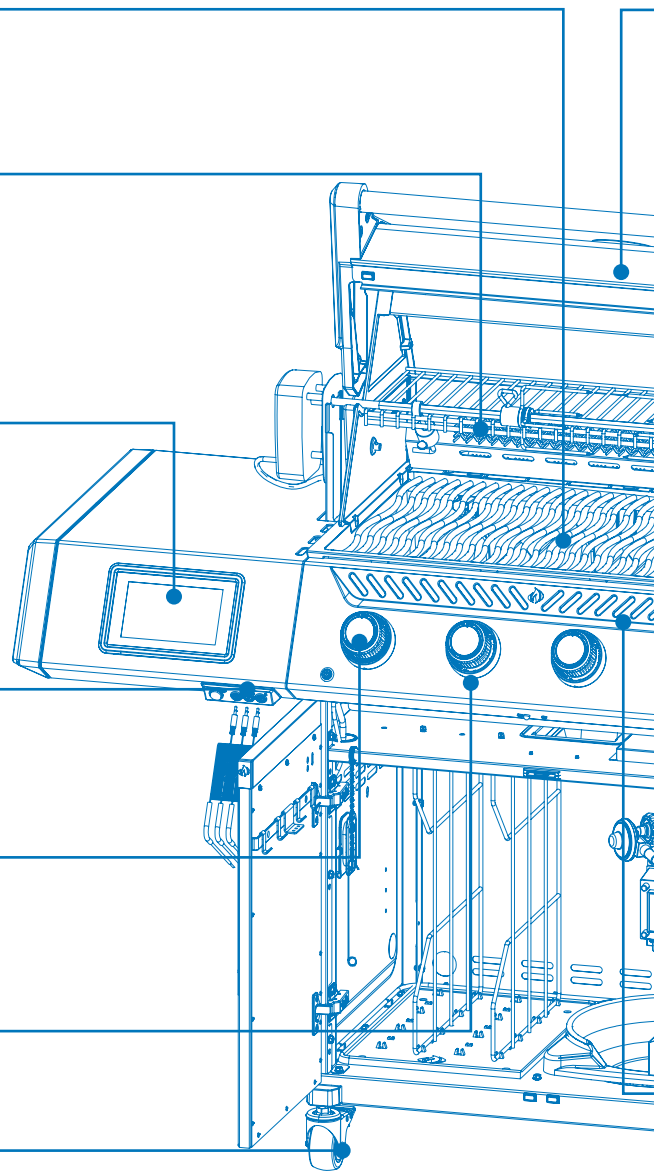
7" Wi-Fi & Bluetooth® enabled touchscreen display with custom temperature monitoring settings.

Supplied with three wired probes for reliable performance

LED SPECTRUM NIGHT LIGHT™ Control Knobs with **SAFETY GLOW**.

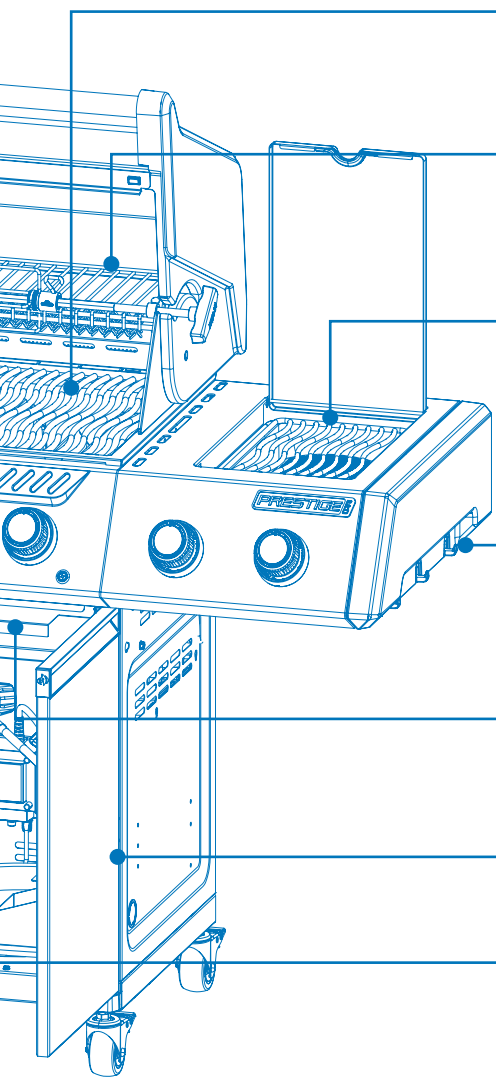
Instant **JETFIRE™** Ignition for quick and east start-up.

Easy Locking Casters safely lock the grill in position



IMPORTANT!

The grills illustrated in this Owner's Manual may differ from the model you purchased.
Featured model: PRO500VX



ACCU-PROBE™ Temperature Gauge to easily read the temperature for perfect results.

Stainless Steel Iconic **WAVE Design™** Cooking Grids for those distinctive sear marks and even cooking.

Large Stainless Steel Warming Rack for increased cooking area.

Infrared **Sizzle Zone®** Side Burner for perfectly grilled steaks.

Storage for grilling tools.

Drip pan drawer with easily removable drip tray and grease container

Easily adjustable cabinet Soft-Close doors.

Heavy Gauge Stainless Steel Burners for long lasting quality

Getting Started

Safety Symbols You Should Know



DANGER!

Advises of a hazard that could result in a fire, explosion, death or serious physical injury.



WARNING!

Advises of a hazard that could result in minor physical injury or property damage.



Do not smoke while performing a gas leak test. Sparks or flames will cause a fire, explosion, damage to property, serious physical injury, or death.



Never use an open flame to check for gas leaks. Sparks or flames will cause a fire, explosion, damage to property, serious physical injury, or death.



CAUTION! Hot surface.



Immediately shut off the gas supply and disconnect.



Wear safety glasses.



Wear protective gloves.



Important Information.

Additional Safe Operating Practices

- Do not route the hose underneath the drip pan. Maintain proper hose clearance from the bottom of the unit.
- Ensure the sear plates are positioned according to the sear plate installation instructions.
- Turn off burner controls before opening the gas cylinder valve.
- Do not light the burners with the lid closed.
- Do not operate the rear burner(s) simultaneously with the main burners.
- Do not close the side burner lid while operating or when hot.
- Do not deep fry food on the side burner.
- Do not adjust the cooking grids while the grill is in operation or when hot.
- Do not move the appliance during use.
- Turn off the gas supply at the source after use.
- Do not modify the appliance.
- Perform maintenance only when the grill is cool.
- Do not store lighters, matches, or any other combustibles inside the enclosure or condiment tray.



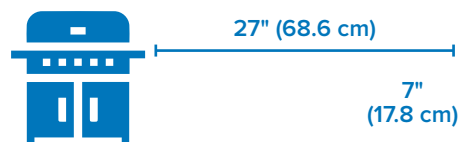
BE CAREFUL!

The lid of the grill and the entire firebox can become very hot when in use.

- Keep all electrical supply cords and fuel supply hoses away from heated surfaces.
- Clean the grease tray, drip pan, and sear plates regularly to prevent build-up and grease fires.
- Inspect and clean the infrared burner and main burner venturi tubes regularly to keep them free from spider webs and other obstructions.
- Do not allow cold water (rain, sprinkler, hose, etc.) to contact the heated grill. An immediate temperature change will damage the porcelain and crack the ceramic burners.
- Do not use a pressure washer to clean any part of the grill.
- Do not place the grill where it may be exposed to high winds, especially when the wind can come from directly behind the grill.
- Ensure the appliance is kept at a safe distance from flammable constructions.
- Never cover more than 75% of the cooking surface with solid metal.
- Keep the appliance away from flammable materials while in use.
- The minimum ambient operating temperature for safe use is 0 °F (-17.8 °C).
- Do not store anything inside the smoker box, besides the wood chip tray.

! IMPORTANT!

- Always maintain proper clearances to combustibles:



! WARNING!

- The hook-up and installation of the gas and hose connection must be performed by a licensed gas fitter, and leak tested before operating the grill.
- Ensure the hoses do not contact any high temperature surfaces of the grill.
- Accessible parts may be very hot. Keep young children away.
- Keep fuel supply hoses away from any heated surfaces, sharp edges, or dripping grease.

Locating Your Grill

Ensure that the location for your gas grill meets all clearance requirements to adjacent combustibles.

Always maintain proper clearances to combustibles: 27" (68.6 cm) to the rear and 7" (17.8 cm) to the sides.

This appliance is intended for use on an outdoor patio or in your yard.

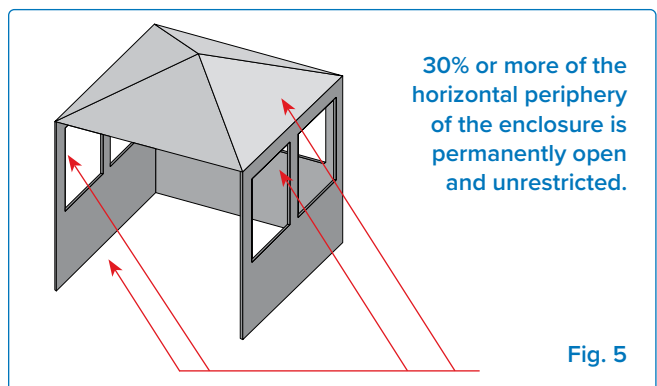
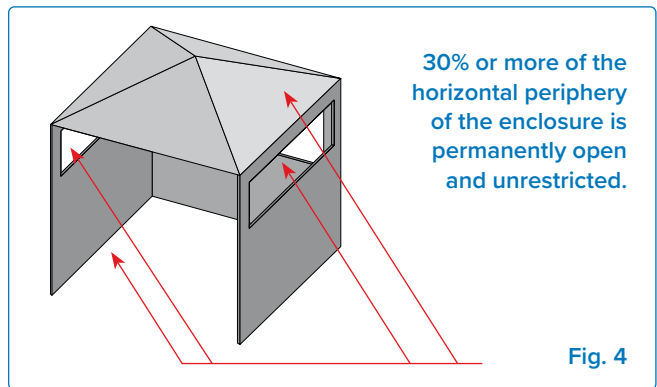
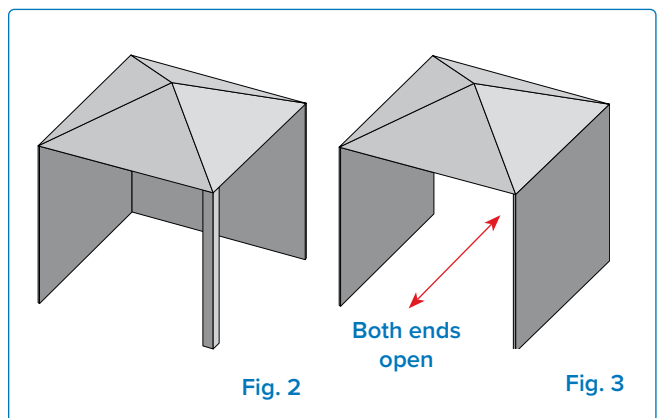
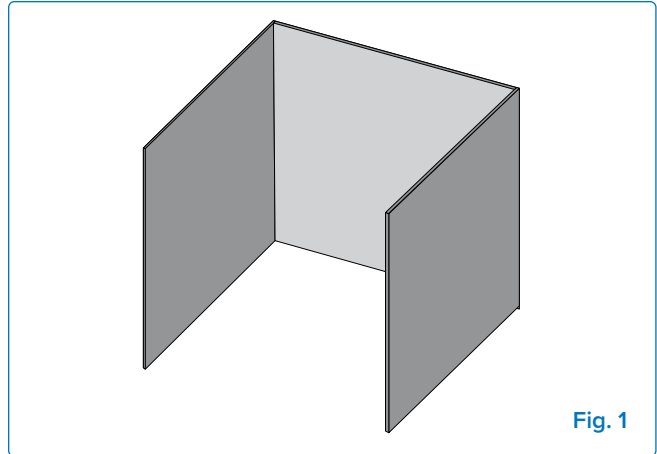
- Use the appliance only in an above-ground, open-air location with natural ventilation and no stagnant areas. Ensure gas leakage and combustion products are dispersed quickly by wind and natural convection.
- Do not use the appliance in a building, garage, or other enclosed space.
- Do not integrate the appliance into built-in or slide-in construction.
- Do not block ventilation openings in the cylinder enclosure.

Any enclosure in which the appliance is used must meet one of the following requirements:

- The appliance is considered outdoors if installed in a shelter with walls on three sides but no overhead cover (**Fig 1**).
- An appliance is considered to be outdoors if installed in a shelter with an overhead cover and no more than two sidewalls.
 - » The sidewalls may be parallel, as in a breezeway, or at right angles to each other. (**Fig 2 & Fig 3**).
- An appliance is considered outdoors if installed in a shelter with three sidewalls and an overhead cover, as long as 30% or more of the horizontal periphery of the enclosure is permanently open and unrestricted. (**Fig 4 & Fig 5**).

! IMPORTANT!

- All openings must be permanently open.
- Sliding doors, garage doors, windows, or screened openings are not considered as permanent openings.



Gas Connections

To a Propane Cylinder: Option 1

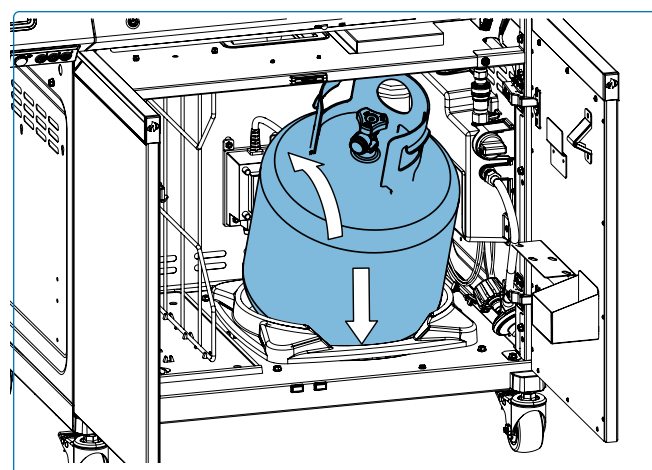
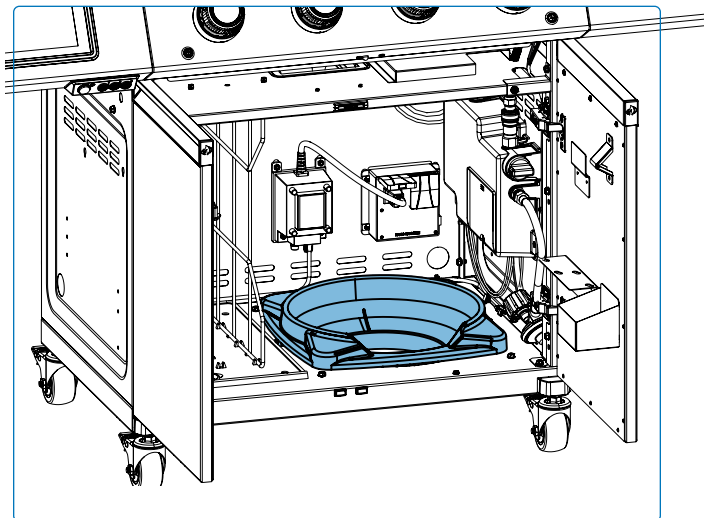
Only use a 20 lb. (9.1 kg) propane cylinder constructed and marked in accordance with the Specifications for LP gas Cylinders of the U.S. Department of Transportation (D.O.T.) or the Standard for Cylinders, Spheres and Tubes for Transportation of Dangerous Goods and Commission, CAN/CSA-B339, as applicable.

Only use a gas pressure regulator specified by Napoleon. The regulator must supply a pressure of 11 inches water column (0.39 psi) and have a QCC1 type fitting.

The cylinder connection device must be compatible with the connection for this outdoor appliance.

The propane cylinder must have:

- A shutoff valve with a QCC1 connection.
- A safety relief device.
- A collar to protect the valve.
- A listed Overfill Protection Device.



WARNING!

- Do not store a spare gas cylinder under or near the appliance.
- Do not use a gas cylinder that is more than 80% full.
- Follow all specifications and instructions precisely to prevent fire, explosion, property damage, personal injury, or death.
- Disconnect the grill and its individual shutoff valve from the gas supply piping system during any pressure testing in excess of ½ psi (3.5 kPa).

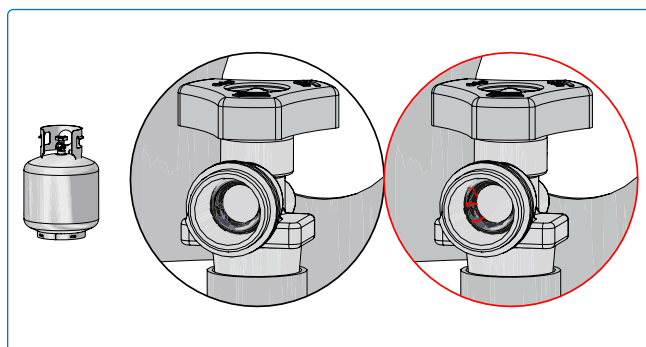
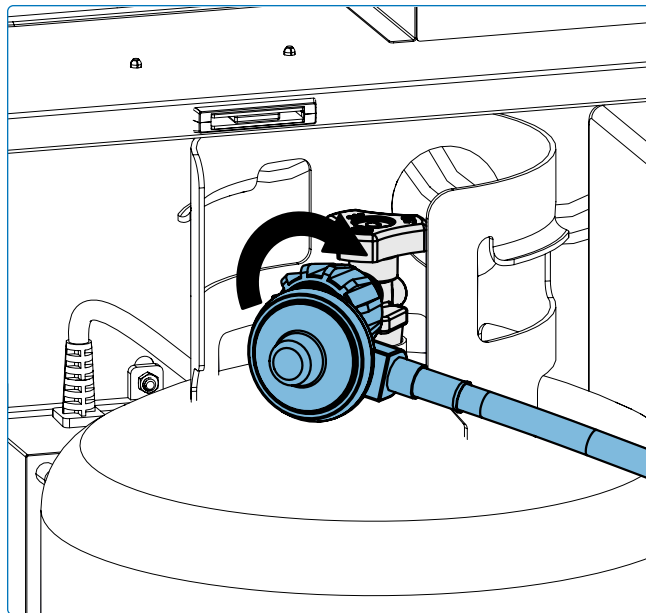
Hook-up and Installation

- Check the cylinder for dents or rust, and have it inspected by your propane supplier.
- Never use a cylinder with a damaged valve.
- Place the cylinder in its designated area on the bottom shelf.
- Ensure the gas regulator hose is straight and free of kinks or bends, as these can restrict gas flow.
- Remove the cap or plug from the cylinder fuel valve.
- Insert the black QCC1 regulator nipple onto the QCC1 fuel valve. Hand tighten to right. Do not use tools.
- Ensure the hose does not contact with the drip pan or any high temperature surfaces of the grill because it will melt and cause a fire.
- Leak test all joints prior to operating the grill. See “**Leak Test**”.
- The cylinder must be mounted so that the pressure relief valve outlet is not oriented toward the normal operating position of the user.



NOTE:

- Inspect the LP gas cylinder valve seal for cracks, wear, or deterioration each time the cylinder is replaced or refilled.
- Any LP gas cylinder showing signs of damage or deterioration, including visible cracks and pitting, must be returned unused to the seller.



To a House Gas Supply Line: Option 2

- If the grill is to be connected directly to a house propane gas supply line, disconnect and discard the supplied hose and regulator assembly and follow house gas supply line hook-up instructions. An approved hose is available from your Napoleon grill dealer.
- A gas supply hose and quick disconnect designed for natural gas and certified for outdoor use are included with natural gas grills.
- Natural gas plumbing must supply a pressure of 7 inches water column pressure to the inlet of the grill. Propane gas plumbing must supply a pressure of 11 inches water column pressure to the inlet of the grill.
- Piping and valves upstream of the quick disconnect are not supplied.
- The gas pipe must be sized to supply the BTU/h specified on the rating plate, based on the length of the piping run.
- See “**WARNING! General Information**” of this manual for installation codes.

1. Hook-up to a gas supply line must be performed by a licensed gas fitter and leak tested before operating the grill.
2. Do not route the hose in close proximity to the drip pan or over top of the back panel.
3. Ensure the hose does not contact any high temperature surfaces.

Quick Disconnect

- Do not install the quick disconnect in an upward direction.
- A readily accessible manual shut-off valve must be installed upstream of the quick disconnect, and as close to it as possible.
- Connect the flared end of the hose to the fitting on the end of the manifold tube or flex tube (if applicable).
- Tighten using two wrenches. Do not use thread sealer or pipe dope.
- Leak test all joints prior to operating the gas grill. See “**Leak Test**”.



WARNING!

- Close the individual shutoff valve to isolate the grill from the gas supply piping system during any pressure testing equal to or less than ½ Psi (3.5 kPa).
- Check the hose for evidence of excessive abrasion, melting, cuts or cracks. If the hose is damaged, it must be replaced with an assembly specifically recommended by NAPOLEON.



BE CAREFUL!

The lid of the grill and the entire firebox can become very hot when in use.

Leak Test

Why and When to Leak Test?

A leak test confirms no gas is escaping after you connect the hose to the gas supply.

Each time the tank is refilled and reinstalled, ensure that there are no leaks in the fitting where the regulator connects to the tank.

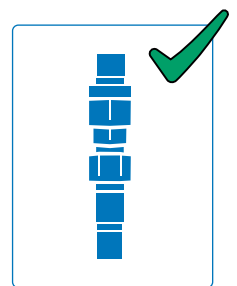
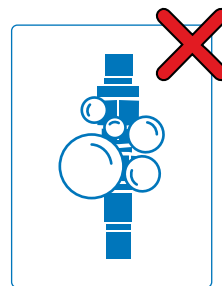
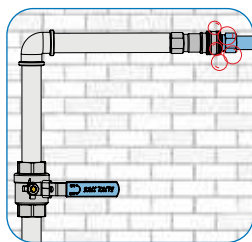
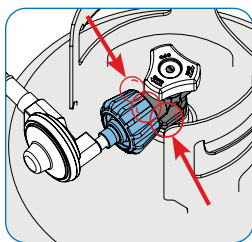
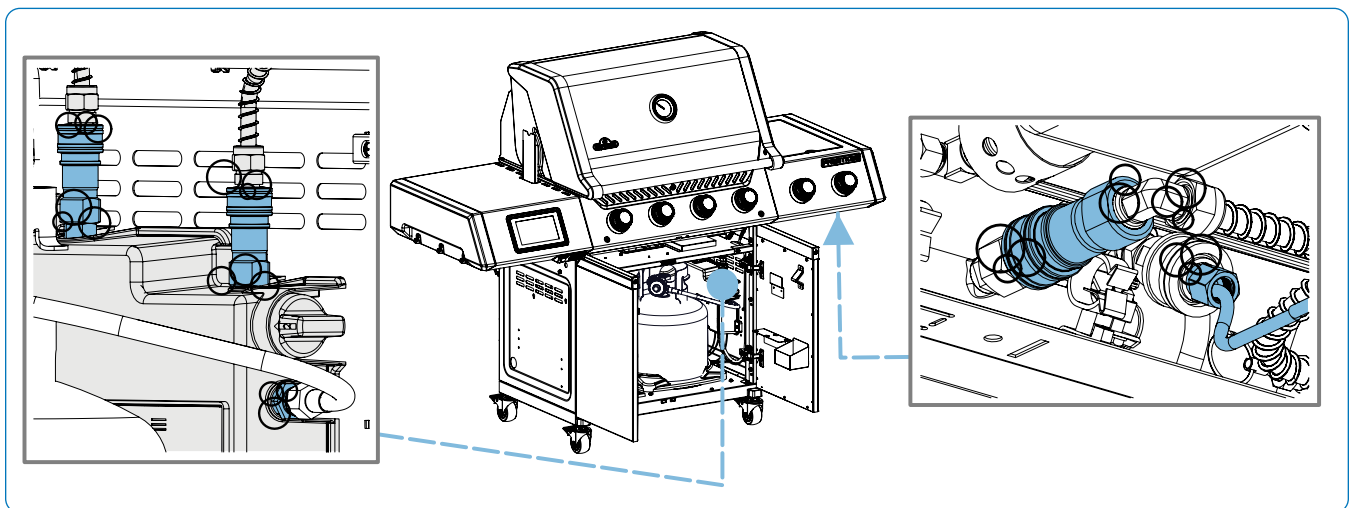
Leak test this grill before use, annually, and when any gas components are replaced.

Leak Test Steps

1. Do not smoke while performing the test.
2. Remove all sources of ignition.
3. Turn all burner controls to the OFF position.
4. Turn the gas supply valve ON.
5. Brush a half-and-half solution liquid soap and water onto all joints and connections of the regulator, hose, manifolds, and valves.
6. Bubbles indicate a gas leak.

If you Find a Leak

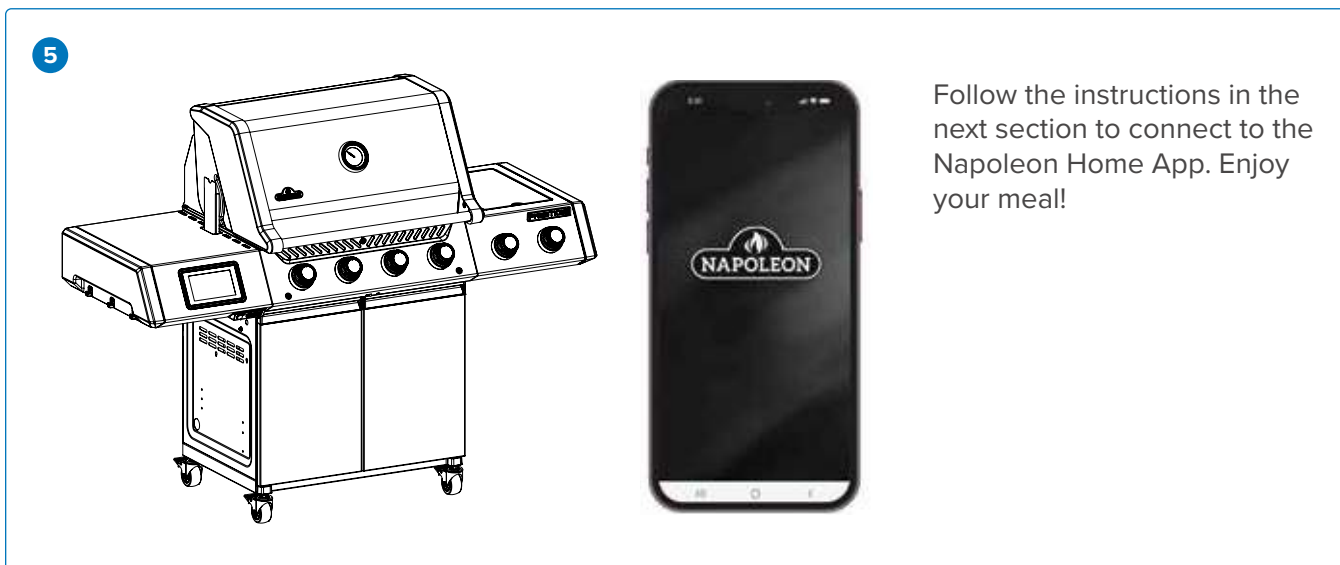
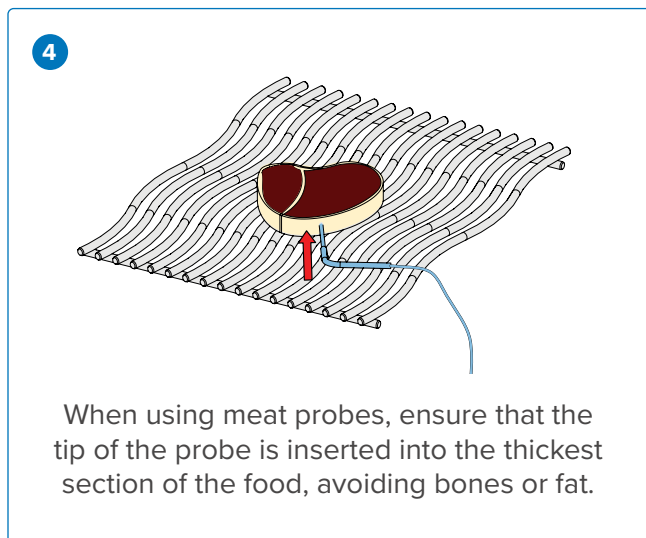
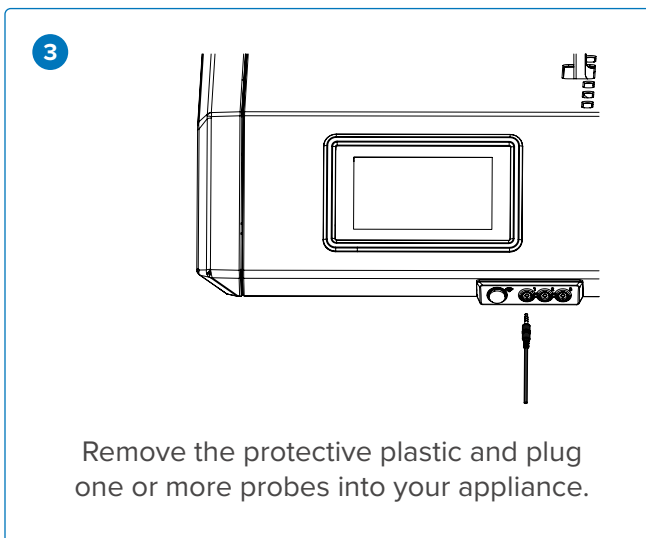
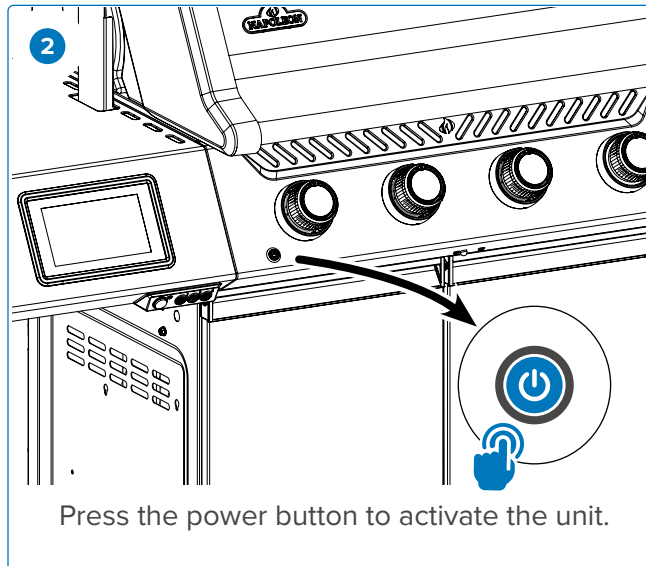
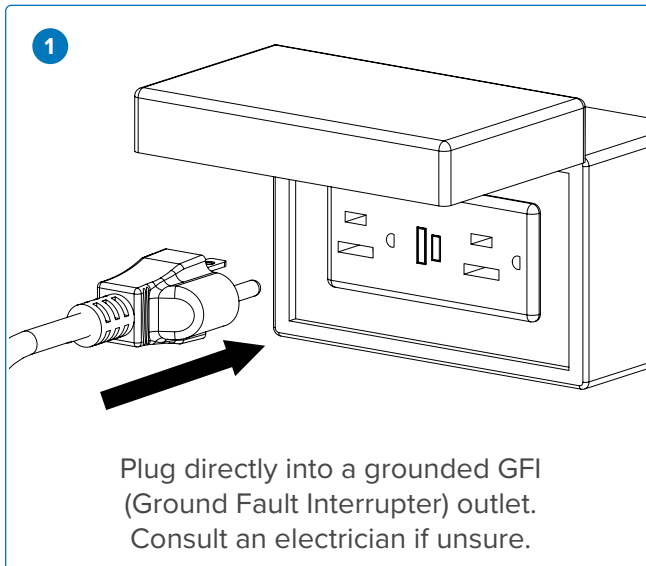
1. Tighten any loose joints.
2. If the leak cannot be stopped, immediately shut off the gas supply and disconnect the grill.
3. Have the grill inspected by a certified installer, or dealer.
4. Do not use the grill until the leak has been fixed.



DANGER!

- Never use an open flame to check for gas leaks. Sparks or flames will cause a fire, explosion, damage to property, serious physical injury, or death.
- Only use the pressure regulator and hose assembly supplied with the grill, or one in conformity with local codes.

Quick Start Instructions



Napoleon Connectivity

NAPOLEON HOME APP

HOW DOES IT WORK?

Access your appliance remotely by downloading the **Napoleon Home App** from the App Store or Google Play.

In order to access the app, you will be required to create an account by following the instructions listed within the app (see below for details).



By pairing your appliance to the **Napoleon Home App** via Wi-Fi, you gain control to all modes and functions of the appliance.

All notifications and alarms are sent through the app to keep you connected with ease.



Scan this QR code for direct access to the **Napoleon Home App** website.



LET'S GET STARTED

1 Register



Register an account with the **Napoleon Home App** OR sign-in using your Facebook, Google, or Apple account information.

2 Create



Enter user information and create a password for the account. Select the country in which the appliance is located.

3 Almost there



The information entered in Step 3 will be registered to the **Napoleon Home App** and a confirmation will be sent to the email provided.

4 Confirm

Open email inbox and select the confirmation link. **Note:** The confirmation link must be opened on the device that the Napoleon Home App is installed on.



5 Re-confirm



If no email is found, click “Re-Send Confirmation Link” and check junk folder.

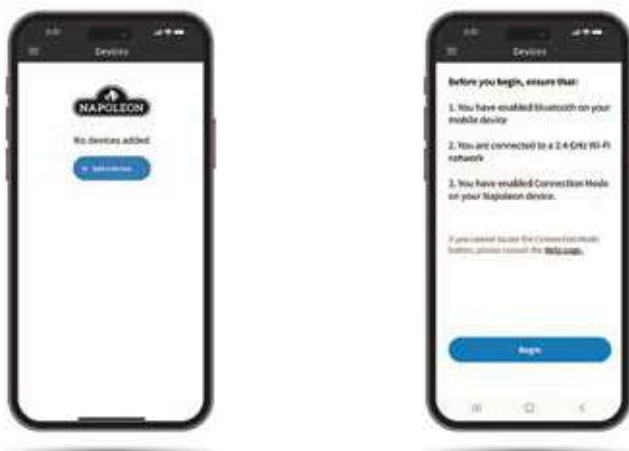
ADDING A DEVICE

6 Power On

Ensure your device is turned on by short pressing the power button on the control panel. See Pairing Mode Activation Guide for further steps.



7 Add Device



Select “Add Device” and accept the permissions.

8 Search



Search for devices and select the device from the list.

9 Network Connection



Select the Wi-Fi network and enter your credentials.

10 Add Nickname



Enter a custom name for your device, or proceed with default name provided.

11 Success!



Pairing Mode Activation Guide

To enable pairing mode on the Grill, follow either of the two options below. Pairing mode allows you to provision the Grill, using a mobile app to connect it to the cloud/app. The control panel button will flash in white when pairing mode is successfully activated.

Option 1: Reset Network via Wi-Fi Settings

Action:

Activate pairing mode by resetting the network in Wi-Fi settings.

Steps to Perform:

1. Turn on the display screen and wait until the startup process is complete.
2. Reset the Network using the Wi-Fi icon:
Tap the Wi-Fi icon on the display screen.
In the Wi-Fi menu, select **Reset Network**.

Result:

The button on the control panel will start flashing in white, indicating that the system is in pairing mode. You can now provision the device using the mobile app to complete the setup.

Option 2: Long Press Activation

Action:

Activate pairing mode through a long press on the Control panel Power Button.

Steps to Perform:

1. Ensure the display screen is active.
2. Long press the control panel power button continuously for **10 seconds**.

Result:

The control panel button will begin flashing in white, indicating that the system is in pairing mode. At this point, you can proceed with provisioning the device through the mobile app.



NOTE:

- Choose either of the above option to activate pairing mode and connect the system to the cloud.

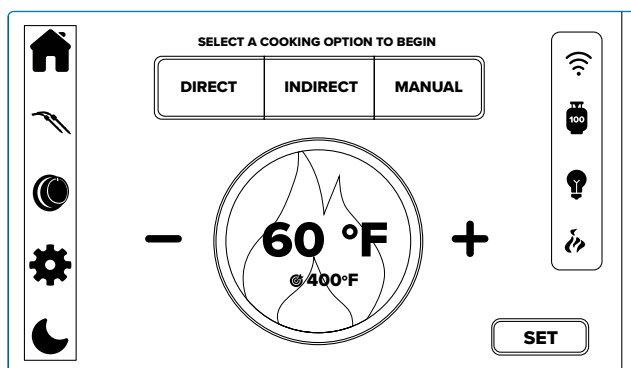
System Overview and Operation

Control Features (If equipped)

Modern control features enhance precision cooking by automating heat management, optimizing fuel efficiency, and ensuring consistent results. These advanced features allow you to customize your experience based on your cooking needs. Whether searing at high heat, maintaining low-and-slow smoking, or using presets for different foods, these advanced controls bring convenience and accuracy to your outdoor cooking.

Your Prestige® PRO Series Grill is equipped with a state-of-the-art control system that is Wi-Fi-capable and integrated within the Napoleon Home App ecosystem.

Before you begin using the grill, familiarize yourself with the different features of the display.



For your safety, cooking functions cannot be started remotely. You must be physically present at the grill to activate any burner or cooking mode. This ensures proper supervision during ignition and helps prevent accidental or unattended activation of the appliance.

Initialization

Plug the grill into a properly grounded, outdoor-rated electrical outlet to utilize digital controls and peripheral electronic features.



Short-press the power button on the left side of the control panel to initiate the startup sequence.

Automatic Modes

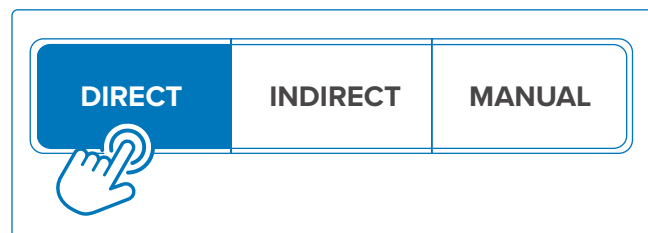
Direct Mode

High-heat searing for quick-cooking foods.

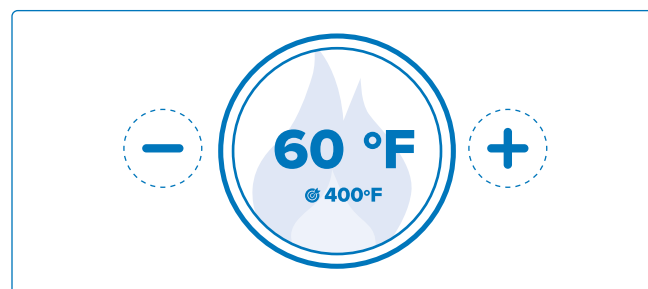
Place food directly over the heat on the cooking grids for a perfect sear, locking in juices and flavour. Ideal for hamburgers, steaks, chicken, and vegetables. For thicker cuts, sear first, then lower the grill temperature or switch to Indirect Mode to finish cooking to your desired doneness.

All main burners automatically adjust to maintain your set temperature between 320°F – 580°F (160°C – 290°C), ensuring consistent heat control throughout the cooking process.

1. Select the **DIRECT** cooking option on the display.



2. Use the +/- icons on the display to select your target temperature.



3. Press Set.



4. Wait for the display to indicate that the burners are ready to ignite. All main burner control knobs will begin flashing white, indicating that all main burners must be manually ignited.



5. Follow the instructions in "**Lighting Your Grill**" section to ignite all main burners. Adjust all control knobs precisely to their highest setting.

! **IMPORTANT!**

- If any burner is adjusted to anything other than its maximum setting, the system will revert to **Manual Mode**.

6. Place your food once the grill is pre-heated to your satisfaction, and close the lid.

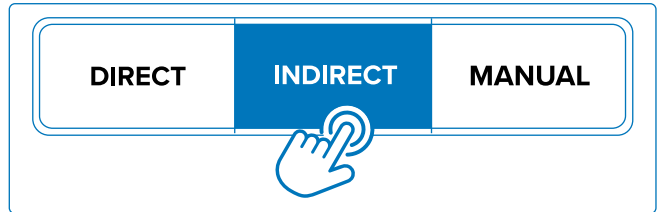
Indirect Mode

Slow, even cooking at lower temperatures with circulating heat.

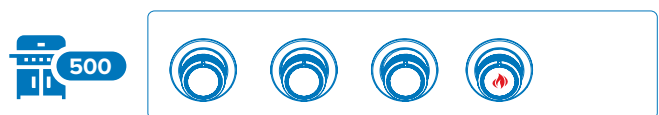
This mode is ideal for larger cuts of meat or foods prone to flare-ups, such as roasts, whole chickens, and turkeys. The lower temperature and extended cooking time help produce tender, flavorful results.

Specific main burners adjust automatically to maintain a target temperature range of 220°F – 380°F (110°C – 190°C) for consistent heat control.

1. Select the **INDIRECT** cooking option on display.



Specific main burner control knob lights will begin flashing white, indicating which main burners must be manually ignited.

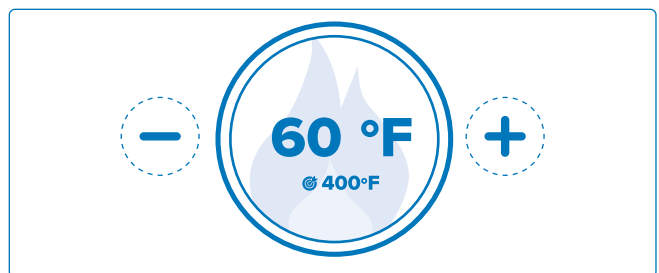


2. Follow the instructions in "**Lighting Your Grill**" to ignite the indicated main burners. Adjust all control knobs precisely to their highest setting.

! **IMPORTANT!**

- If any burner is adjusted to anything other than its maximum setting, the system will revert to **Manual Mode**.

3. Use the +/- icons on the display to select your target temperature.



4. Place your food over an area without a lit burner beneath. Close the lid.

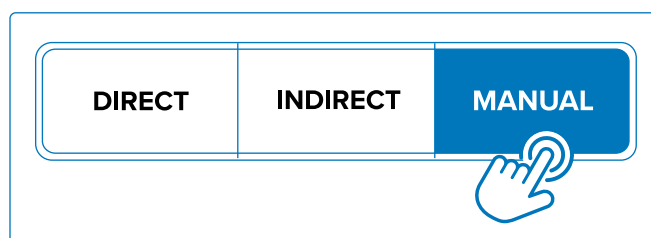
5. If desired, introduce a high heat sear at the end of your indirect cooking session by changing to Direct Mode. Alternatively, utilize the infrared side burner.

Manual Mode

Maintain full control over each burner.

Use the control knobs to adjust heat levels independently, setting them to any position based on your cooking needs. This mode is perfect for customized grilling and managing multiple heat zones for different foods. Manual mode provides ultimate flexibility, allowing you to fine-tune your grilling experience without preset temperature automation while still accessing smart auxiliary features and other powered functions.

1. Select the **MANUAL** cooking option on the display.



2. The leftmost main burner control knob light will begin flashing white, indicating that it must be manually ignited.



IMPORTANT!

- This burner must remain lit throughout your use of Manual Mode, or the system will shut down.



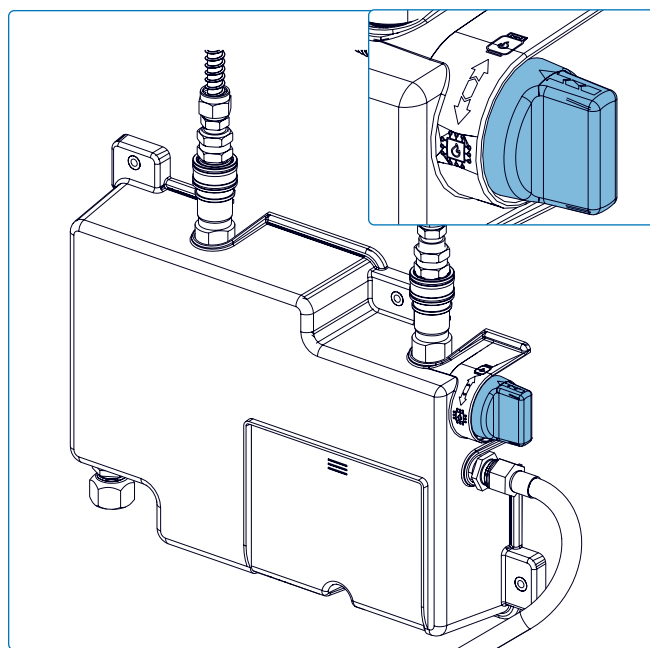
3. Follow the instructions in "**Lighting Your Grill**" section to ignite the indicated main burner.
4. Follow the same procedure to ignite any others main burners as desired. Modulate control knob settings to achieve your preferred heat zones.

Traditional Mode

A simplified grilling experience without electronic assistance.

The grill can function as a fully manual, traditional gas grill with no digital gas controls. While features such as automatic adjustments are disabled, core grilling functions remain fully operational. Ensuring that you can still cook with confidence - even during a power outage. Peripheral electronic features can still be utilized in bypass mode as long as the appliance has power.

1. To activate the bypass valve for the main burners, locate the control module (mounted inside the grill cart enclosure), then push and rotate the dial to the ON position.



2. Follow the instructions in "**Lighting Your Grill**" section to ignite any desired burners.

Smoker

Enhance your grilling experience with rich, wood-fired flavour using the integrated smoker system*. When Smoke Mode is selected, the smoker box automatically activates and channels aromatic smoke into the main cooking enclosure for authentic barbecue-style results. This feature adds depth to meats, vegetables, and more. Perfect for low-and-slow cooking sessions.

- The smoker should be started and emitting smoke before igniting any burners. Best performance is achieved with 1-2 burners on low. The gauge on the lid should always be in the smoke section.

Ignition

1. Fill the smoker box – Add wood chips, or a mix of wood chips and chunks or pellets, until the box is almost full. Do not use charcoal. See **“Setting Up Your Smoker”** leaflet for more details.
2. Select Smoke icon from the display screen. Follow the display prompt to ignite.



Following the ignition sequence, the wood chip ignition element will shut down and the blower fan will provide continuous smoke until the wood chip supply is depleted or 1 hour passes with no re-ignition sequence initiated.

Once ignition has been initiated, the fan cannot be turned OFF. This is an important safety feature designed to prevent uncontrolled burning inside the smoker. The smoker fan will automatically turn OFF after the cooldown cycle is complete (approximately 2 hours), or after 3 hours of inactive time.

Re-Ignition

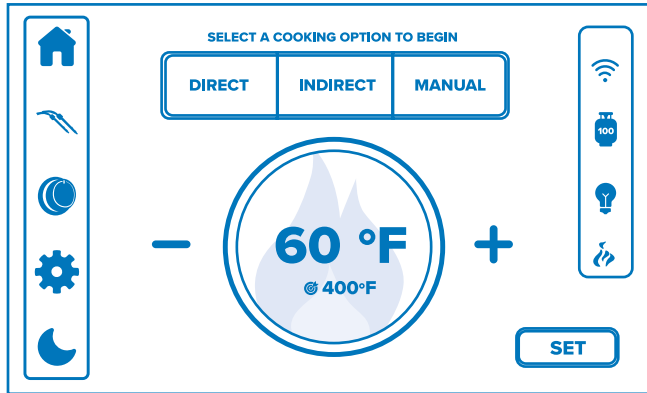
The re-ignition option is not available until 15 minutes after the conclusion of the ignition sequence. When the wood chip supply is depleted, but you want to extend the session:

1. Open the smoker door to access the wood chip tray. The access to smoker door is equipped with a safety switch to prevent heating element operation when the door is open.
2. Unlock the tool and engage with the front face of the wood chip tray. Unlock the tool and carefully slide the wood chip tray out for easy refilling without removing it from the appliance. See **“Tool Overview”** section.
3. Use metal tongs to redistribute spent wood chips, moving them to the front and back of the tray. Clearing a space on the metal mesh will aid in re-ignition of fresh wood chips. Do not remove any hot chips from the chamber. See **“Setting Up Your Smoker”** leaflet.
4. Add a fresh layer of wood chips, ensuring good contact with the heat source for quicker ignition and steady smoke.
5. Use the tool to reinstall the wood chip tray. Close and latch the smoker door.
6. Hold the push button on the smoker unit for 2 seconds. The button will pulse red indicating that re-ignition stage is in progress (~4 minutes).

**NOTE:**

- The user must wait 15 minutes for the re-ignition option to become available again. This 15 minute timer is in place to prevent excessive heat cycling of the smoker.
 - Ignition and re-ignition can be cancelled at any time by selecting this option on the display, or depressing the push button for 5 seconds (as applicable to your model).
7. To achieve full shutdown of the smoker, you must leave it idle (no re-ignition) for 1 hour to start the full shutdown process (3 hours total). During the final 2 hours, the blower fan will remain in operation to prevent smoke back draft.
 8. After the smoker has completely cooled, empty the wood chip tray and dispose of the chip remnants in a fireproof container with a tight-fitting lid.

Additional Control Functions



Automatic Gas Shutoff

The grill automatically shuts off gas if temperatures exceed 850°F (454°C), preventing grease fires. When triggered, all burners stop, red lights flash, and a notification appears on the display and in the Napoleon Home App.

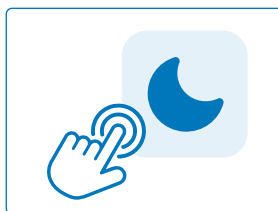


NOTE:

- The shut-off function is disabled while the system is in bypass mode.
- Safety red has been removed from all color selections and animations to prevent confusion with a lit burner.
- Scheduled shutdown occurs only after cooking or smoking ends, followed by a cleaning reminder and standard shutdown.

Screen Lock/Unlock

For safety and to prevent accidental changes, the screen can automatically lock. To lock or unlock, press the moon icon on the display for 3 seconds. This renders the display unresponsive to other inputs.



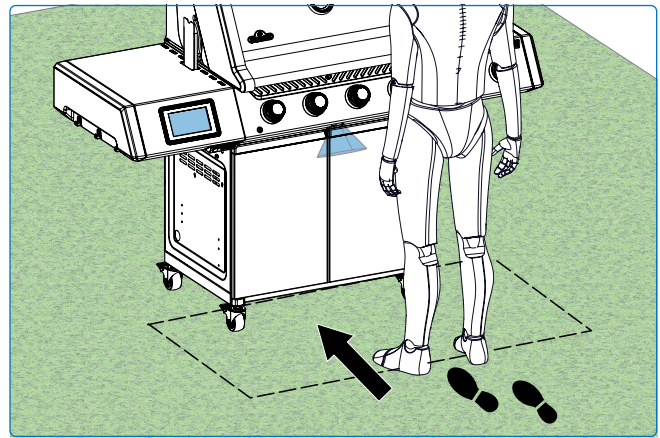
IMPORTANT!

- The screen lock does not shut off the gas or lock the knobs.

Water droplets can impact touch sensitivity. It is recommended to lock the screen if using the grill in the rain.

Proximity Detection

A built-in proximity sensor detects nearby motion and automatically wakes the display screen. This hands-free functionality ensures the display is only active when needed, conserving power while providing instant access to grill controls and status updates as you approach. Use the gear icon on the display screen to adjust how long the display stays active, anywhere from 15 to 60 minutes (5-minute increments).



Lighting and Animations

Vibrant control knob lighting animations add flair and personality to your grilling experience. Select the control knob icon on the display to choose from a variety of dynamic effects. Adjust brightness using the slider control.



Activate storage lights through the lighting menu. Select ON to activate white storage lights. Select OFF to match the control knob lights' current colour. Select minimum brightness to turn the lights off entirely. Toggle cabinet and hood lights to ensure clear visibility.

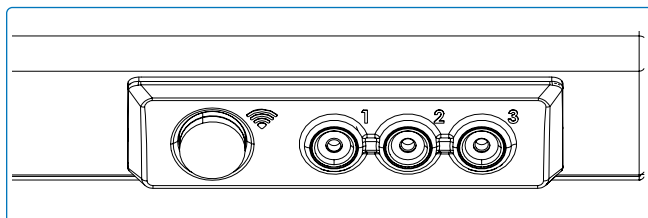
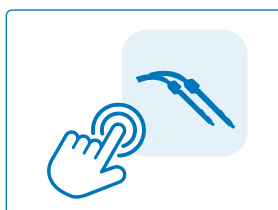
Responsive Control Knobs

As you adjust a burner setting, the interior portion of its control knob transitions through a smooth color gradient, visually indicating the burner's current setting. This intuitive feedback makes it easy to monitor flame intensity at a glance, even in low light. For added safety, the surround lighting features **SafetyGlow™** technology, glowing red whenever a burner is on to provide an instant visual cue.



Food Temperature Probes

Connect up to two wireless probes (available separately) and up to three wired probes for precise and flexible temperature monitoring. After installing the probes, tap the probe icon on the display screen to select the type of food being cooked and set your desired target temperature. Once any probe reaches its set temperature, an alert tone will occur and a notification will be sent through the Napoleon Home App.



NOTE:

Wireless probe pairing is completed through on-screen prompts. Follow the display instructions to connect your probes easily.

Tank Scale

Stay informed with the integrated tank scale, designed to accurately display the amount of propane remaining in your tank. Utilizing precision weight sensors, the system gives you real-time insight into fuel levels by reporting the current fill percentage. To ensure accurate readings, input your tank's empty and full weights using the Napoleon Home App during onboarding. For added convenience, the app also offers a regional tank selection feature, allowing you to quickly choose from a list of common tank types for easy setup.



Lighting Your Grill

Is it the very first time? Perform a Burn-off

Remove warming rack and run the main burners on high for 30 minutes. It is normal for the grill to emit an odor the first time it is lit. This odor is caused by the “burn-off” of internal paints and lubricants used in the manufacturing process and will not occur again.

WARNING!

- Do not operate the rear or side burner while performing a Burn-Off.

Main Burner Lighting

1. Open grill lid.
2. Push and slowly turn any main burner knob counter clockwise to HIGH position until pilot lights. Continue to push down on the control knob until the burner lights and then release (**Fig. 6A & Fig. 7**).
3. If the pilot does not light – immediately turn the control knob clockwise to the OFF position. Repeat step 2.
4. If the pilot and burner will not light in 5 seconds – turn the control knob clockwise to the OFF position. Wait 5 minutes for gas to dissipate. Repeat steps 2 and 3, or light with a match.

Rear Burner Lighting

1. Open grill lid.
2. Remove warming rack.
3. Push and slowly turn rear burner knob counter clockwise to HIGH position (**Fig. 6D & Fig. 7**).
4. Press and hold igniter button until the burner lights, or light by match (**Fig. 6C**).
5. If the burner will not light – turn burner control knob clockwise to the OFF position. Wait 5 minutes. Repeat step 3 and 4. (**Fig. 6**).

WARNING!

- Do not use the rear burner while operating the main burner. You may use the infrared burner with either the main or rear burner.

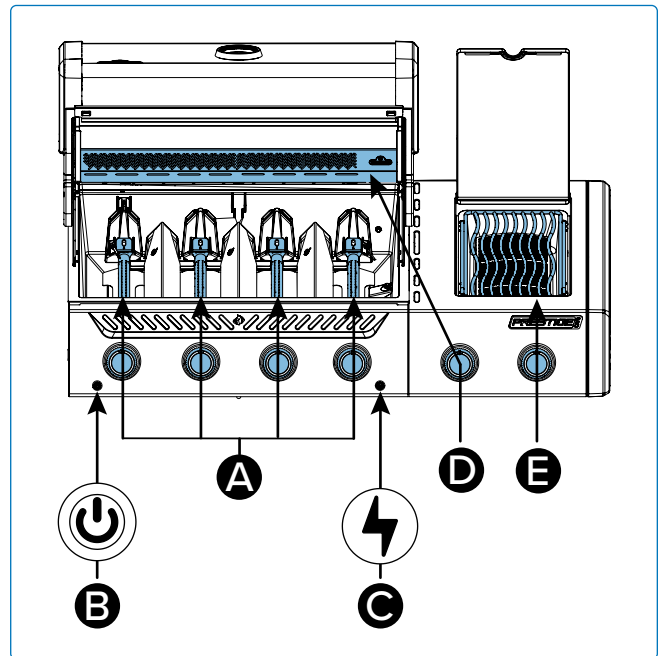


Fig. 6

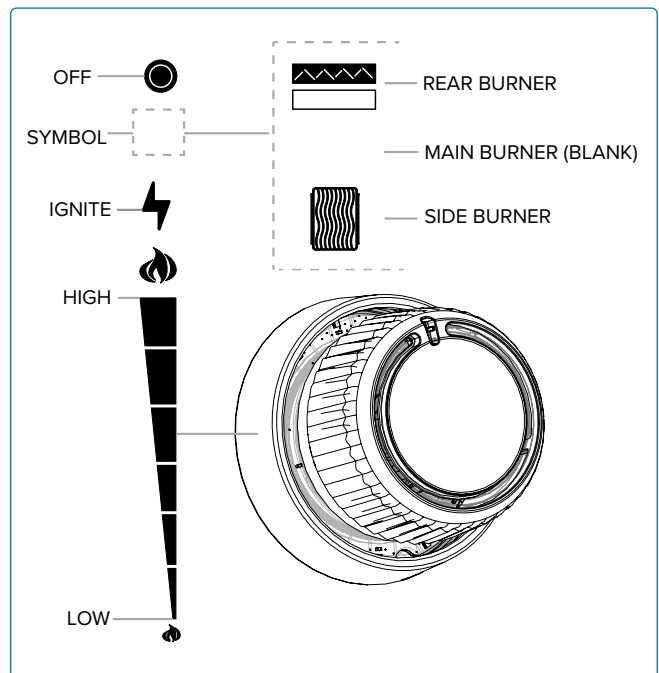


Fig. 7

Side Burner Lighting

1. Open burner cover.
2. Push and slowly turn side burner knob counter clockwise to HIGH position.
3. Press and hold igniter button until the burner lights, or light by match.
4. If the burner will not ignite within 5 seconds – turn burner control knob clockwise to the OFF position. Wait 5 minutes. Repeat step 2 and 3. **(Fig. 6E & Fig. 7).**

Alternative Ignition Instructions

1. Open the grill lid.
2. Light a long-reach match or butane lighter and position it close to the burner ports.
3. Turn the corresponding burner knob counter clockwise to the HIGH position until it lights **(Fig. 8).**

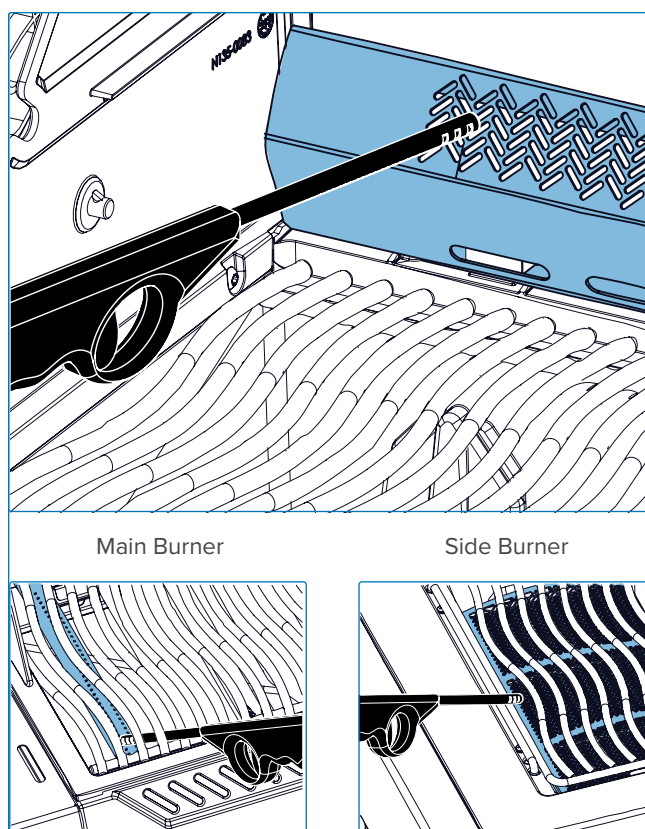
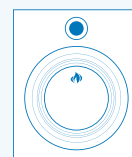


Fig. 8

WARNING!

- Ensure all burner controls are in the OFF position before slowly turning on gas supply valve.
- Follow the lighting instructions carefully.
- Make sure the lid of the grill is OPEN while igniting.
- Do not adjust the cooking grids while the grill is hot, or operating.
- Regularly clean grease out of the entire unit, including the grease tray and the sear plates, to avoid build-up and grease fires.



Monitoring Grill Temperatures

All models are equipped with two temperature indicators. A lid-mounted gauge indicates the air temperature within the cooking enclosure and is the preferred reference for the indirect cooking method.

A base-mounted sensor measures the temperature at the cooking grids and is the preferred reference for the direct cooking method. While optimized airflow throughout the cooking enclosure maximizes heating rates and temperature uniformity, several factors influence temperature readings, including:

Food and Accessories Placement

- Large food items or cookware accessories, such as griddles and planchas, can trap heat over top of the cooking grid temperature sensor. This may lead to elevated sensor readings while also reducing lid temperature gauge readings as heat is directed elsewhere.

Burners in Operation

- Temperature readings are affected by burner settings, as well as the base-mounted sensor's proximity to grill burners which are in operation.

Time Elapsed

- The temperature indicators have different response times and may initially display varied readings as the appliance heats up. However, similar readings will be achieved once internal temperatures have stabilized.

For best results, utilize the temperature sensor feature along with the lid temperature gauge to fully compare the cooking environment against your target range. Allow time for temperatures to stabilize and adjust burner control settings accordingly.

Infrared Main Burner Use (if equipped)

Follow the "**Main Burner Lighting**" Instructions and operate on high for 5 minutes with the lid closed or until the ceramic burners glow red.

Cook the food directly on the grid(s) following the directions on the "**Infrared Grilling Guide**". Food can be seared on the infrared burner and then transferred to the main burners of the grill to finish cooking over direct or indirect heat, depending on your taste and preference.

Infrared Side Burner Use

Follow the "**Side Burner Lighting**" instructions and operate on high for 5 minutes or until the ceramic burner glows red.

Cook the food directly on the grid(s) following the directions on the "**Infrared Grilling Guide**". Food can be seared on the infrared burner and then transferred to the main burners of the grill to finish cooking over direct or indirect heat, depending on your taste and preference.

Do not close the side burner lid while the burner is operating or hot.



DANGER!

- Regularly clean grease out of the entire unit, including the grease tray and the sear plates, to avoid build-up and grease fires.
- Do not deep fry food on the side burner. Cooking with oil can be dangerous.
- Do not close the side burner lid while the infrared burner is in use or still hot. Doing so may cause damage or pose a safety risk.

Wind Guard

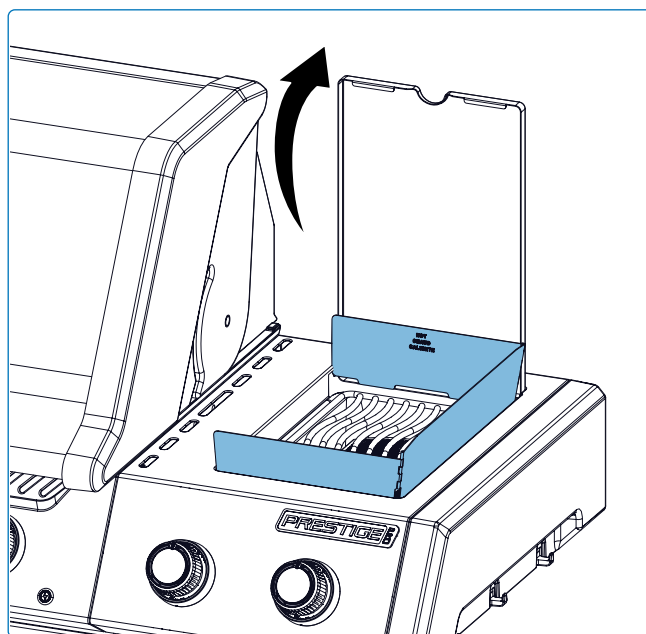
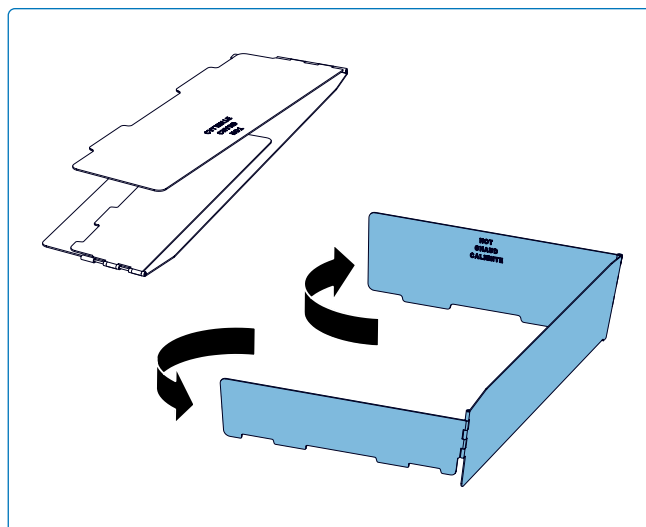
Keep your grill cooking smoothly in windy conditions up to 10 mph (16 km/h). Designed to attach easily to your grill, this guard acts like a shield against gusts of wind, helping to maintain consistent heat for evenly cooked meals.

Just adjust it to fit your grill, and you're ready to grill with confidence, no matter the weather. The guard can be folded and tucked away under the side burner lid for easy storage when the side burner is not in use.



NOTE:

The wind guard must be installed when using the side burner. This enhances safety and reduces cooking times.



GRILLING PRO TIP!

Turn the grill perpendicular to the wind direction to minimize its effects.

How to Use the Rotisserie

Assembling Your Rotisserie Kit



NOTE:

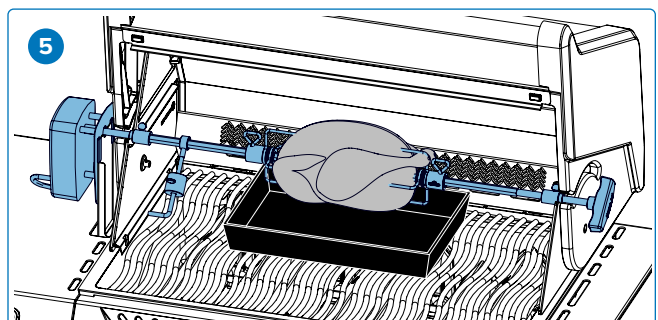
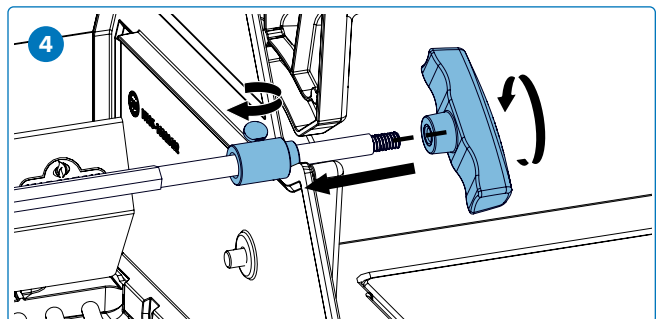
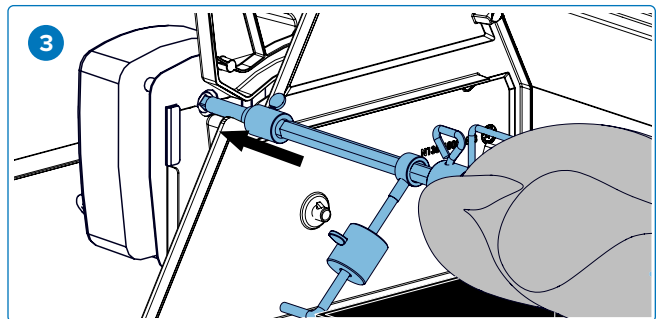
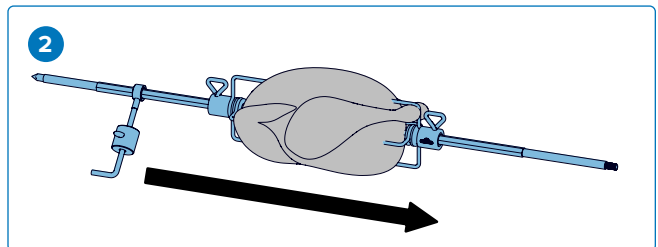
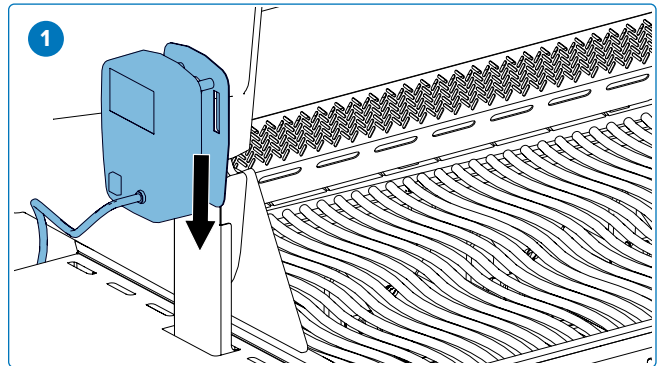
- For the initial burn-off cycle, remove the warming rack completely. When using the rotisserie, the warming rack can be stowed in the upper position to allow clearance for the spit rod.
- Remove the rack only if necessary for additional space.
- Install the rotisserie motor on the side of the grill using the mounting bracket(s). Some models have pre-mounted brackets.

1. Once the bracket has been fastened to the grill, slide the rotisserie motor onto the bracket.
2. Slide the first rotisserie fork just past the middle of the spit rod and tighten into place. Thread the meat onto the spit rod and push the meat into the fork. Slide the second rotisserie fork on the opposite end of the spit rod and push the fork into the meat until secure. Tighten the fork into place.
3. Attach the counterbalance to the spit rod opposite the heavy side of the meat. Adjust until the load is balanced, then tighten securely.
4. Carefully insert the pointed end of the spit rod into the rotisserie motor and set the opposite end across the hangers. The heavy side of the meat will naturally hang down to balance the load.
5. Slide the stop bushing onto the spit rod until it is past the inside of the hood. This will secure the side to side movement of the spit rod.
6. Tighten the stop bushing and spit rod handle. Place a metal dish under the meat to collect the drippings.



IMPORTANT!

- Always wear protective gloves when handling components of the grill.



Tips about using the Rotisserie:

- Operate the rear burner on high until the meat browns. Reduce heat. Keep lid closed.
- Use a thermometer to check the internal temperature of the meat.
- Roasts and poultry should brown on the outside and stay tender on the inside.
- Use drippings to baste and make gravy.
- A 3-pound chicken takes approximately 1 ½ hours on medium to high.
- Be mindful of your rotisserie motor capacity (15lb.). Never overload your equipment.
- Be sure to always set an evenly balanced load on your rotisserie.

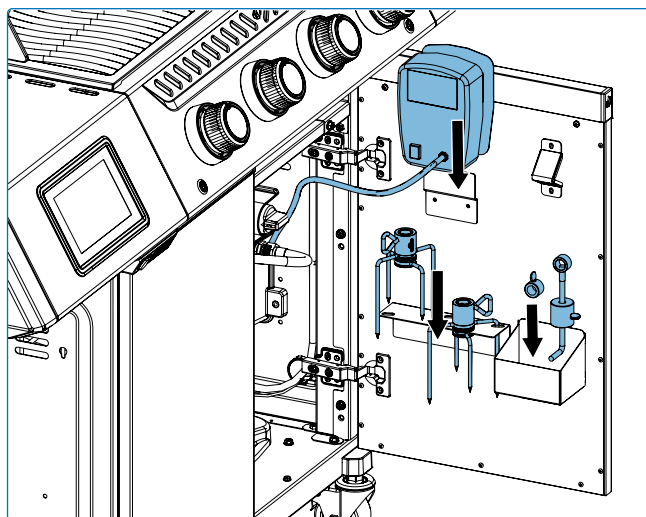


Fig. 9

How to cook multiple chickens

Tie or skewer wings to the body of the chickens.

1. Slide rotisserie fork onto spit rod.
2. Thread first chicken onto spit rod until it is held into place by the rotisserie fork. Tighten.
3. Thread next 2 chickens onto spit rod so all the chickens are close together.
4. Slide second rotisserie fork onto spit rod and push into chicken until all 3 chickens are squeezed together tightly. Tighten.

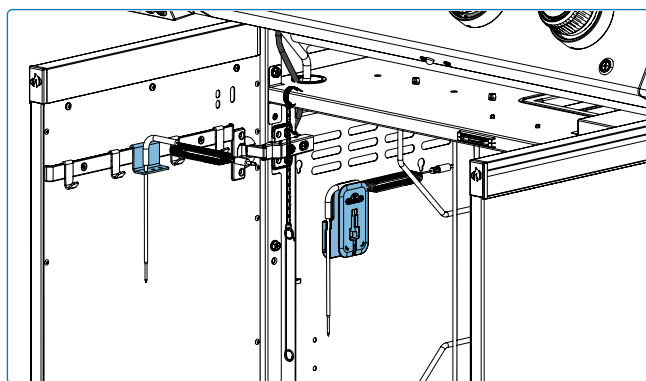


Fig. 10

Storage

- Use the probe storage provisions on the side shelf when preparing to cook. Unplug the probes and bring them indoors when not in use to protect them from the elements (**Fig. 9**).
- Store the rotisserie components on the designated clips inside the cart cabinet and the spit rod on the back of the grill when not in use. This keeps them secure, protected from weather exposure, and easy to access for your next cook. Always ensure the parts are clean and dry before storing to prevent corrosion (**Fig. 10 & 11**).

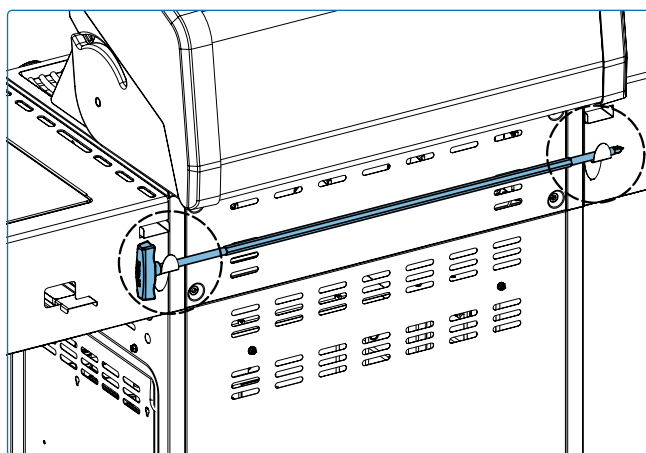


Fig. 11

The Grilling Experience Checklist

Refer to this list every time you grill

- Read Owner's Manual**
Be sure to have read the owner's manual and all the safety instructions.
- Clean Grease Tray**
Always ensure you clean the grease tray prior to grilling to avoid fires and flare-ups.
- Check the Hose**
Ensure the grill is off and cool. Check the hose for evidence of excessive abrasions, or cuts. Have the hose replaced before use if the hose is damaged.
- Clean Grids and Preheat**
Use a wood scraper or a natural fiber grill brush to clean cast iron and stainless steel grids. See "**Cleaning Instructions**". Coat the grids with vegetable shortening and preheat your grill to burn off excess residue and prevent sticking.
- Prep Area**
Make sure everything you need while grilling such as your utensils, seasonings, sauces, and dishes are within your reach. Don't leave your food unattended, or it could burn.
- Flip once and do not Peek**
Try not to open the lid and peek too much, or heat will escape and throw your temperature and cooking times off. Flip your food only once, especially steak and chicken.
- Leave Space**
Leave some space on the grill and between food, so you have room to move food around if you need to.
- Use a Thermometer**
Use a thermometer to ensure food is cooked thoroughly. Follow the appropriate temperatures guidelines for all types of meat, especially poultry.



NOTE:

Stainless steel cooking grids are corrosion resistant and require less maintenance than cast iron grids.



GRILLING PRO TIP!

Discover inspiring recipes and grilling techniques in Napoleon's cookbooks or visit www.napoleon.com



GRILLING PRO TIP!

Always preheat the grill before cooking to burn off leftover residue and prevent food from sticking to the grate.



OIL AND FAT SUGGESTION!

- Grapeseed Oil,
 - Sunflower Oil,
 - Soybean Oil,
 - Extra Virgin Olive Oil
 - Canola Oil.
- If not available, select an oil or fat that has a high smoke point.
- Do not use salted fats like butter or margarine.

ACCU-PROBE® Cook Assist

Confidently tend to the grill and your guests while using the integrated ACCU-PROBE® technology. Monitor internal grill temperature. Easily program your food type, target temperature, and cooking time using your smart device with the Napoleon Home App.

You will receive notifications on your device when your food is cooked to perfection. ACCU-PROBE® supports both Wi-Fi and Bluetooth® connectivity. If your default Wi-Fi is not available, the Bluetooth® function allows you to connect to ACCU-PROBE® with ease. The device must be initially provisioned using Wi-Fi. After provisioning, Bluetooth® will be available for connectivity, and Wi-Fi may still be used if supported.

See "Quick Start Instructions" and "Napoleon Home App" sections for more information on getting connected. Download the Napoleon Home

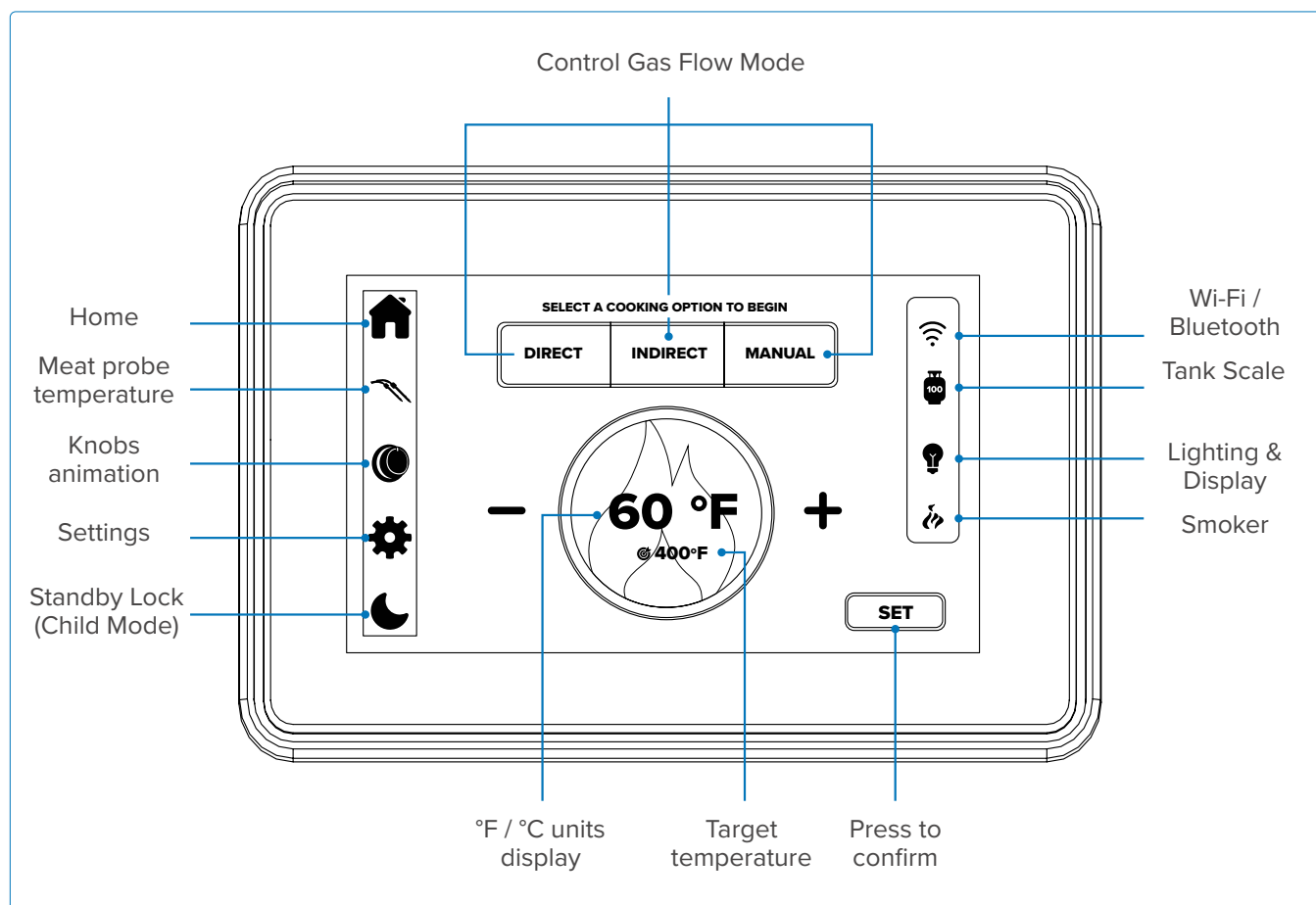
App and enjoy smart cooking.

Any use of such marks and logos as indicated are owned by the respective owners and any such use by Wolf Steel Ltd. is under license: Bluetooth® by Bluetooth SIG, Inc. Other trademarks and trade names are those of the respective owners: Android™ and Google Play™ are trademarks of Google Inc.; Apple, iPhone®, and the Apple App Store is a trademark of Apple Inc.; iOS is a trademark or registered trademark of Cisco Inc.

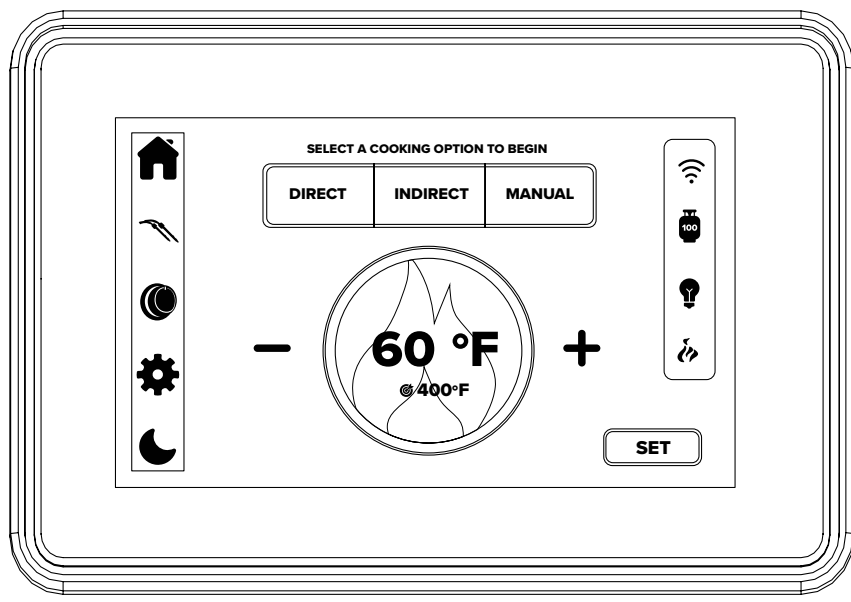
Compatible Devices

The Napoleon Home App is designed to work with a wide range of Android and iOS devices. Device compatibility is not guaranteed due to numerous different models and manufacturing standards.

Display Overview



Display Operation



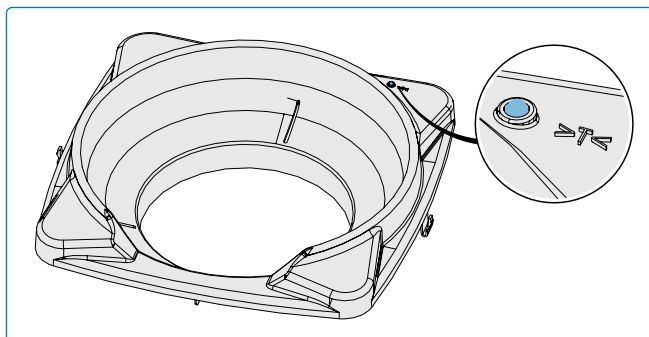
Function	Action	Duration	Description
Paring Mode	Press and hold the power button for 10 seconds OR tap the Wi-Fi icon, then in the pop-up select Reset Network to make the system pairable	10 seconds	When the system restarts, the Napoleon logo will appear. The Wi-Fi and Bluetooth® icons will flash, indicating that the device is in pairing (Access Point) mode. You will need to provision the device again using the Napoleon Home App. This process should be completed when the display is active. If the display is off or in display timeout, continue to press and hold the button until Access Point Mode is reached. Alternatively, you can initiate pairing mode by tapping the Wi-Fi icon and selecting Reset Network from the pop-up menu.
Wake-up Display	Single tap on the display or tap the moon icon	N/A	After awakening, the display will seamlessly return to its previous state. A tap on the moon icon will put the display screen into standby mode; tapping the same spot again will turn the screen back on.
Temperature Unit Change	Select the gear icon	N/A	Toggle between Celsius and Fahrenheit.

How to Zero the Propane Tank Scale

1. Remove the empty propane tank.
2. Press the Zero button to initiate the tare process.
3. Wait 20 seconds for the scale to calibrate.
4. Place the new propane tank on the scale.

Selecting a New Propane Tank

- Open the Napoleon Home App and go to the Tank Scale section (**Fig. 12**).
- Choose one of the following options:
 - » **North America:** Preselected default tank weights.
 - » **Europe:** Select from available tank specifications.
 - » **Custom Tank (Optional):** Enter the weight of an empty and full tank for accurate monitoring (**Fig. 13**).



NOTE:

It may take about 1 minute to get the data updated to the app.

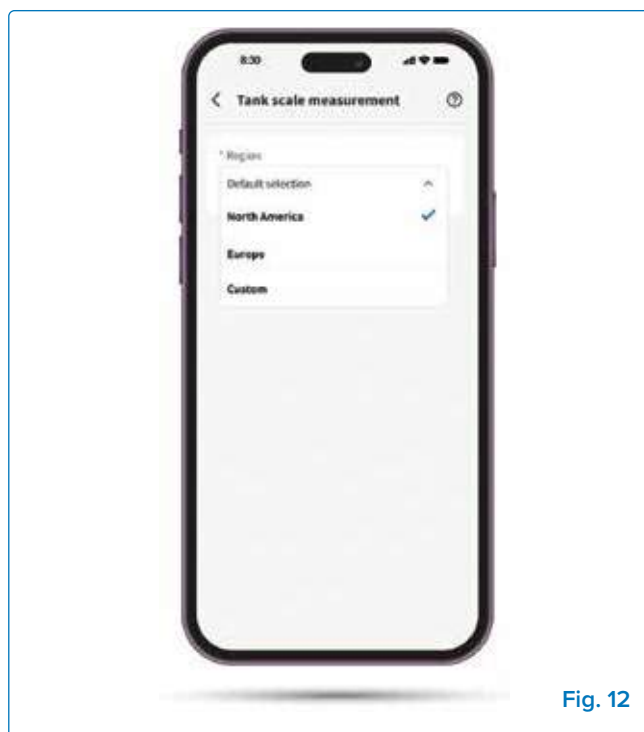


Fig. 12

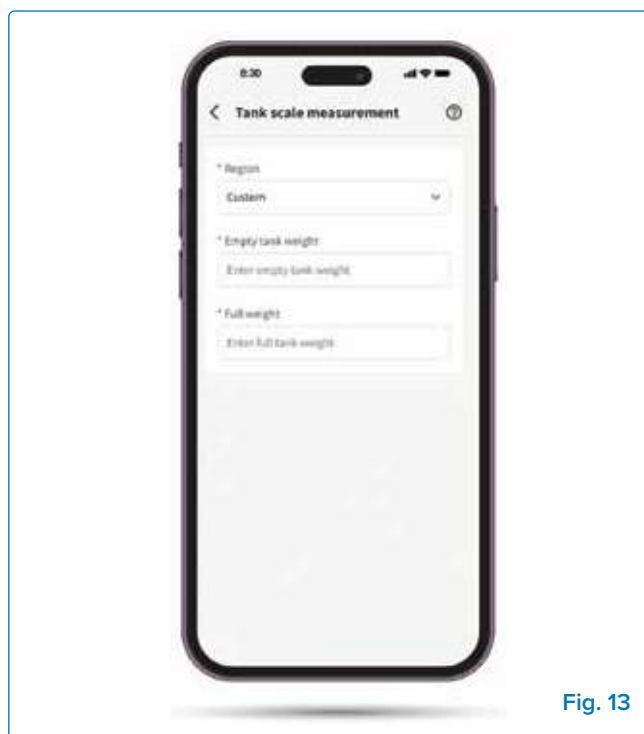


Fig. 13






Safeguards





- Avoid high humidity or extreme temperatures.
- Avoid long exposure to direct sunlight or strong ultraviolet light.
- Do not disassemble or try to repair the unit on your own.
- Do not expose the unit or its accessories to flammable liquids, gases, or other explosives.
- Probes can operate from -4 ° F (-20 ° C) to 572 ° F (300 ° C).
- Probe cords can operate from -4 ° F (-20 ° C) to 716 ° F (380 ° C).
- **IMPORTANT:** Do not allow the probes to be directly exposed to flames or temperatures exceeding 572 ° F (300 ° C).
- For accurate readings, insert the probes into the center of meat, ideally before it is placed on the grill.
- **IMPORTANT:** Point the tips of the probes downward but do not allow the tips to touch the cooking grids. Also try to ensure that probes do not touch the body of the grill.
- Place meat on the side of the grill closest to the thermometer.
- Position the cord at a high exit point so the cord stays sufficiently above the cooking grids when the lid is closed.
- Alternatively, probe handles may be positioned under the lid seal. Ensure the sides of the grill do not exceed the highest probe operating temperature.
- When using more than one probe, colored probe rings can help identify the number of each probe. Place each ring around the probe tip and push until it reaches the base holder.

Clearance

- Check that the cooking area does not exceed the maximum temperature and cords are not kinked or frayed by closed doors or lids.
- First check the cord clearance at ambient temperature with the lid closed. Examine the cord for any severe kinking or bending. Then turn the grill ON and check for hot spots where the cord may make surface contact.

Infrared Grilling Guide

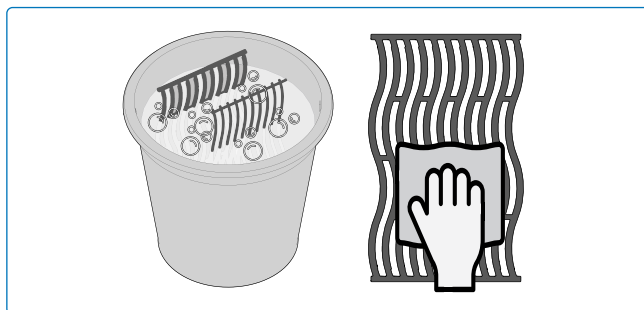
Food	Internal Temperature	Control Knob Setting	Cooking Time	Cooking Tips
 <p>Steak 1 inch (2.54 cm) thick.</p>	Medium-Rare 63 °C (145 °F)	HIGH for 2 min each side, then MEDIUM	4–6 minutes each side, depending on thickness.	Ask for marbled fat in cut. Sear on high heat to lock in juices, then reduce heat for desired doneness. Let rest for 3 minutes before serving.
	Medium 60 °C (140°F)			
	Well Done 77 °C (170 °F)			
 <p>Hamburger ½ inch (1.27 cm) thick.</p>	Medium-Rare 54 °C (129 °F)	HIGH for 2–3 min each side	5–7 minutes total.	Shape patties to equal thickness for consistent cooking. Patties 1 inch thick or more should be grilled using indirect heat.
	Medium 60 °C (140°F)			
	Well Done 77 °C (170°F)			
 <p>Poultry</p>	74 °C (165 °F)	HIGH, then LOW	90 minutes total (depending on size)	Cut ¾ through the joint between the thigh and leg so the meat lies flat on the burner for even cooking.
 <p>Pork Chops</p>	64 °C (147 °F)	MEDIUM	6 minutes each side	Choose thick cuts for more tender meat. Trim off excess fat.
 <p>Fish</p>	70 °C (158 °F)	MEDIUM	5–10 minutes, depending on thickness	Cook until opaque and flakes easily.

Food	Internal Temperature	Control Knob Setting	Cooking Time	Cooking Tips
 Shellfish/ Shrimp	60°C - 65°C (140 °F - 149 °F)	HIGH	3–5 minutes	Discard any shellfish that don't open during cooking.
 Spare Ribs	74 °C (165 °F)	HIGH for 5 min, then LOW	25–30 minutes total	Grill until meat pulls easily from the bone.
 Lamb Chops	64 °C (147 °F)	HIGH for 5 min, then MEDIUM	10–15 minutes per side	Choose thick cuts for tenderness. Trim excess fat to prevent flare-ups.
 Hot dogs	74 °C (165 °F)	MEDIUM to LOW	5–7 minutes total	Grill or boil until heated through.

Cleaning Instructions

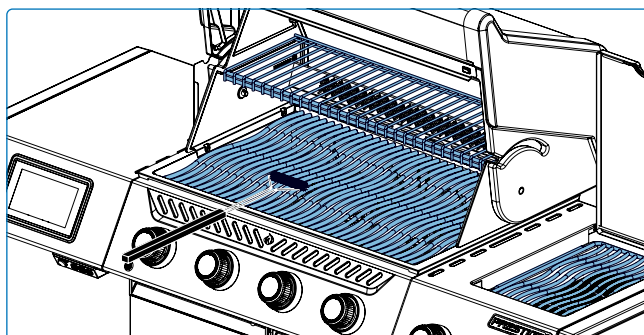
Cleaning your Grill for First Time Use

1. Wash grids by hand with water and mild dish soap to remove any residue from the manufacturing process. DO NOT wash in a dishwasher.
2. Rinse thoroughly with hot water and dry completely with a soft cloth to prevent moisture from entering.



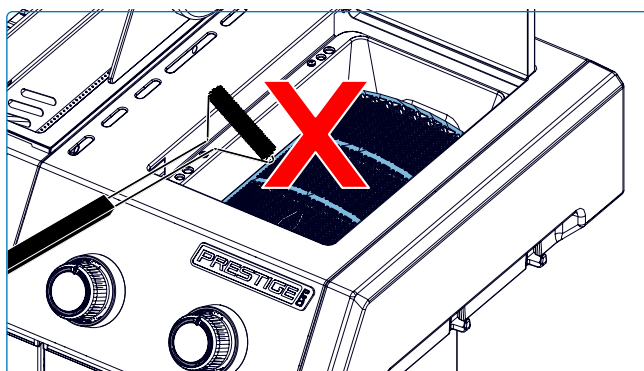
Stainless Steel Grids

- Stainless steel cooking grids can be cleaned by preheating the grill and using a wire brush to remove residue.
- Stainless steel grids will permanently discolor from regular use because of high temperatures when grilling.



Infrared Side Burner

- Most drippings and food particles that fall on the infrared burner surface incinerates immediately because of the high intensity heat.
- Do not clean the ceramic tile with a wire brush.
- Do not use water or other liquids to clean the burner. An immediate change in temperature will cause cracking of the ceramic tile.
- Light burner and operate on high for 5-10 minutes to remove any left-over residue.



NOTE:

To clean the stainless steel mesh cover on the side burner, use a soft-bristle brush. Do not use the brush on the ceramic tiles.

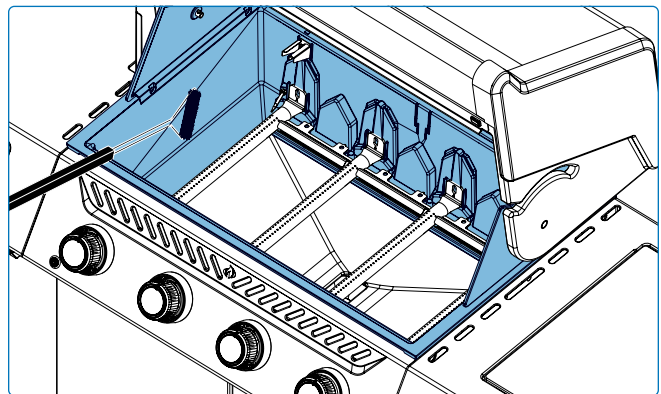
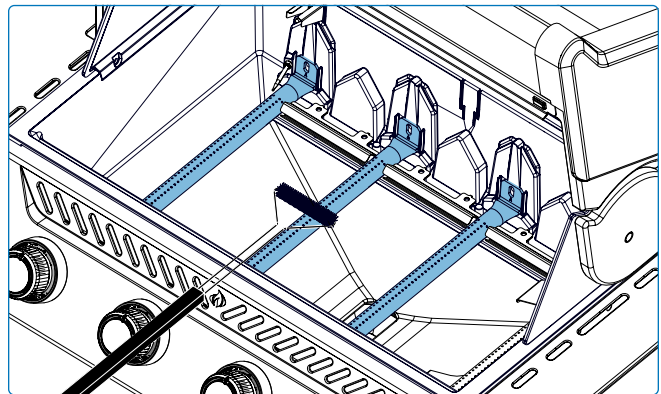
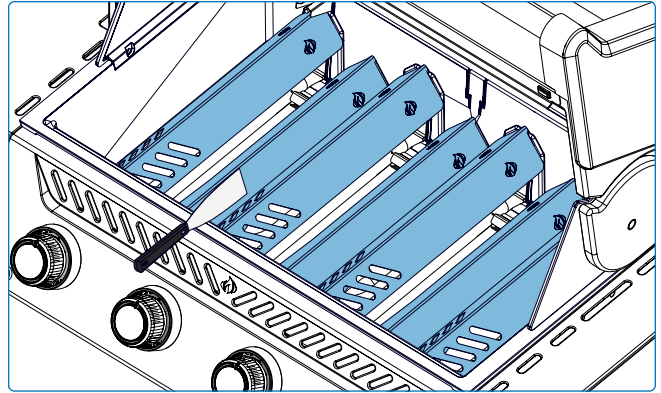


DANGER!

- Always wear protective gloves and safety glasses when cleaning your grill.
- Cleaning should only be done when the grill is cool to avoid the possibility of burns.
- Accumulated grease is a fire hazard.

Inside of the Grill

1. Remove the cooking grids.
2. Brush debris from the lid and sides with a brass wire brush.
3. Scrape sear plates with a putty knife, then brush off ash.
4. Remove sear plates and clean burners with a wire brush.
5. Sweep debris into the drip pan.



Drip Pan

Every grill head, side burner and drop-in burner has a corresponding drip pan. It is easily accessible through doors or openings.

- Grease and excess drippings collect in the drip pan located beneath the grill and accumulate in the disposable grease tray below the drip pan (if applicable).
- Only use Napoleon approved liners on the drip pan. Never use aluminum foil, sand or any other unapproved material. This can prevent grease from flowing properly.
- Clean frequently to avoid grease build-up – approximately every 4-5 uses.

Cleaning steps:

1. Slide the drip pan from the grill to access the disposable grease tray or to clean the drip pan.
2. Scrape the drip pan using a hard plastic scraper to prevent scratches that could lead to rust.
3. Replace the disposable grease tray every 2–4 weeks depending on grill usage (if applicable).
4. See your Napoleon Grill dealer for supplies.

Thermocouples

Flame sensor and thermocouples are located near the main burners (**Fig.18**). In case of grease buildup, gently wipe the metal tips with a soft cloth or use fine-grit sandpaper if needed. Avoid using water, harsh chemicals, or applying pressure, as these components are delicate and can be easily damaged by forceful cleaning. Make sure all parts are dry before reassembly.

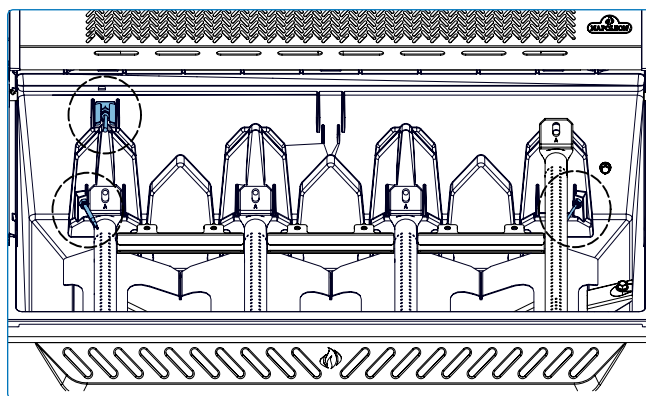
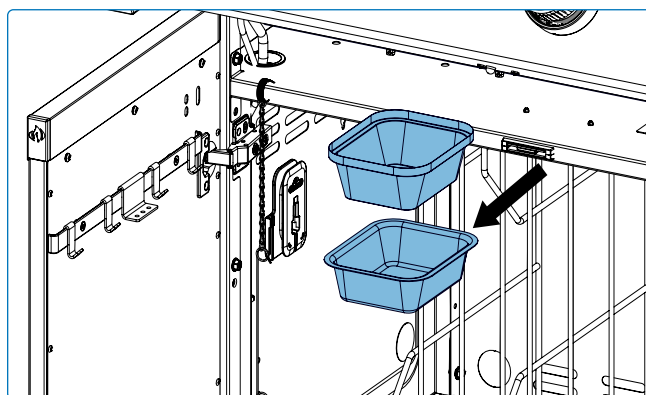
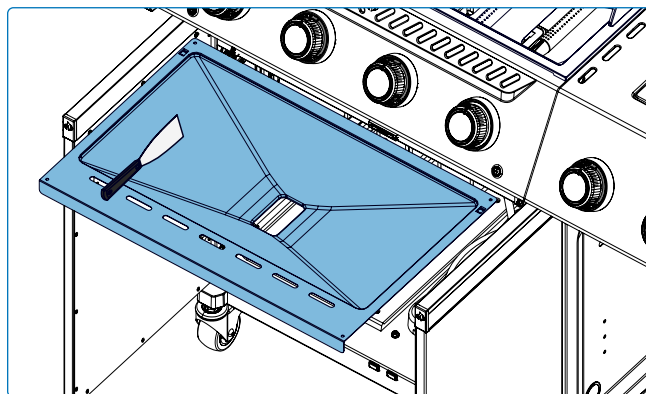


Fig. 18

Control Panel

ONLY use warm soapy water. Text is printed directly printed on the bezels. Proper cleaning will ensure the text remains dark and legible. Avoid abrasive or stainless steel cleaners, as they can damage the finish and printed text.

Aluminum Castings

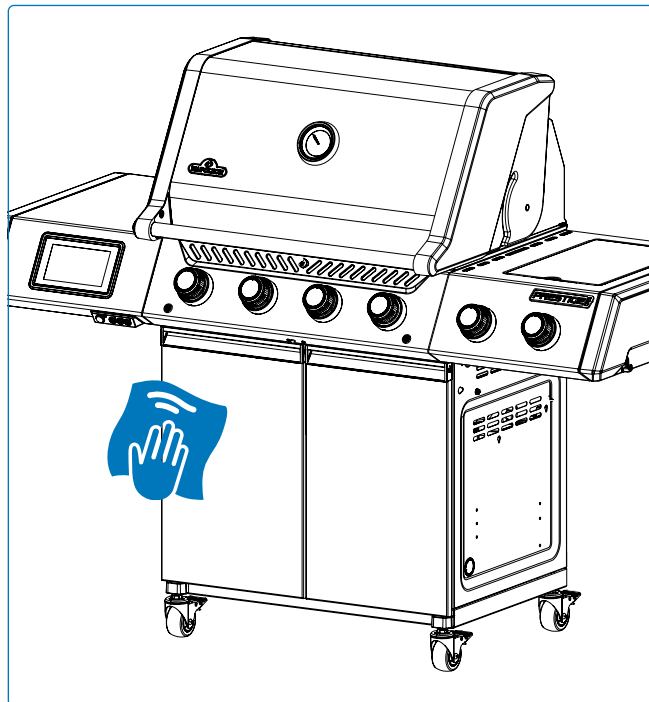
Clean with warm soapy water. Aluminum doesn't rust, but high temperatures and weathering can cause oxidization on the surface of the castings that look like white spots.

See “**Maintenance Instructions**” for more information on how to prevent oxidized aluminum.

Outside Grill Surface

- Only use a non-abrasive cleaner. Abrasive cleaners or steel wool will scratch the finish.
- Always wipe in the direction of the grain.
- Handle porcelain enamel components with care.
- The baked-on enamel finish is glass-like and will chip if struck.

Stainless steel parts discolor overtime when heated and will turn a golden or brown hue. This is normal and won't affect the performance of the grill.



WARNING!

- Ensure all burners are turned off, the gas bottle is closed, and the grill is cool before cleaning. Do not use oven cleaner on any part of the grill.
- Do not put cooking grids or any other parts of the grill in a self-cleaning oven to clean. Clean the grill in an area where cleaning solution won't harm decks, lawns, or patios.
- Barbecue sauce and salt can be corrosive and will cause rapid deterioration of the grill components unless cleaned regularly.

Insect Screen and Burner Ports

Spiders and insects are attracted to small enclosed spaces. Napoleon has equipped the burner with an insect screen on the air shutter.

This reduces the likelihood of insects building nests inside the burner, but doesn't eliminate the problem.

A nest or web can cause the burner flame to burn a soft yellow or orange and cause a fire or flashback at the air shutter underneath the control panel.

1. Remove the screw (s) that attaches the burner to the back wall of the grill. Slide the burner back and upwards to remove. **(Fig.19)**.
2. Clean the inside of the burner using a flexible venturi tube brush or, for delicate areas, a soft bristled brush to gently remove debris.
3. Shake loose debris from the burner through the gas inlet.
4. Check the burner ports and valve orifices for blockages: burner ports can close over time because of cooking debris and corrosion.
5. Use an open paper clip or drill bit to clean the burner ports. While this can be done with the burner attached, it is easier if removed from the grill.
6. Do not flex the drill bit when drilling the ports because the drill bit will break.
7. This drill bit is for burner ports NOT for brass orifices that regulate the gas flow to the burner.
8. Do not enlarge the holes.
9. Ensure the insect screen is clean, tight, and free of any lint or other debris.
10. Reverse the procedure to reinstall the burner.
11. Ensure the valve enters the burner when installing.
12. Replace sear plate mount and tighten screws to complete re-installation.

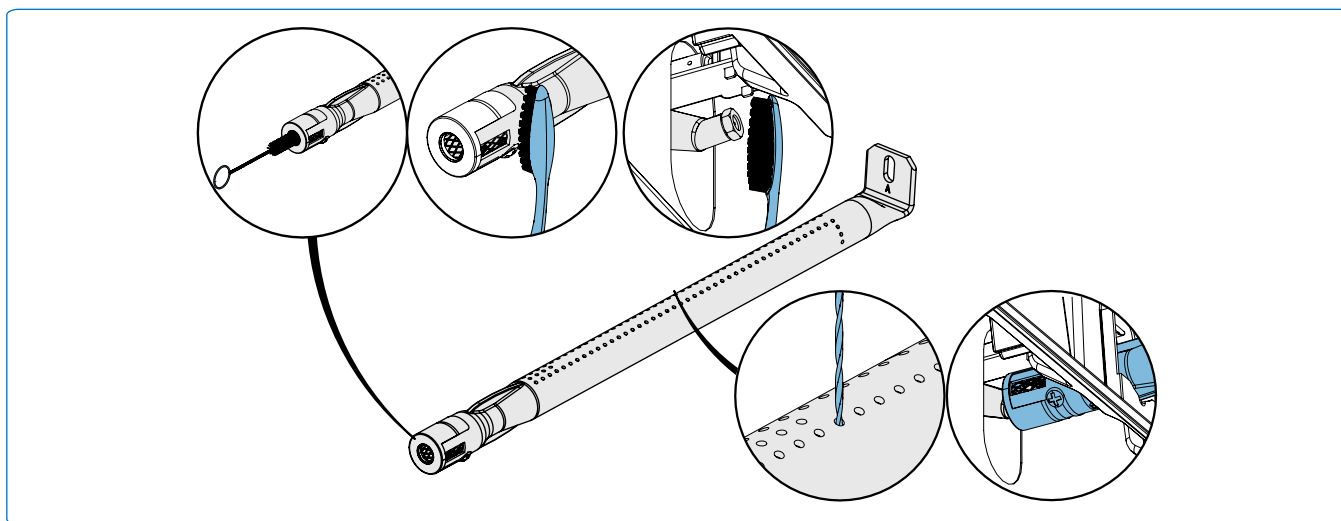


Fig. 19



DANGER!

- It is very important the valve/orifice enters the burner tube when reinstalling the burner after cleaning and before lighting your grill, or a fire or explosion could occur.
- Avoid unprotected contact with hot surfaces.
- Do not use abrasive cleaners or steel wool on any painted, porcelain, or stainless steel parts of your grill because it will scratch the finish.



SAFETY FIRST!

Always wear protective gloves and safety glasses when servicing your grill.

Temperature Probes

- Clean the probes before using for the first time.
- Hand wash the metal portion of probes and dry thoroughly after each use. Do not wash in a dishwasher.
- Probes are rust-proof and corrosion resistant. Do not use any chemicals or cleaning solutions to clean the probes except mild soap.



NOTE:

The probe jacks, probe cables, and display unit are water resistant but should not be left in the rain. The appliance should never be immersed in water.



WARNING!

- Keep the grill away from combustible materials, gasoline, and other flammable vapors and liquids.



WE WANT TO HELP!

Contact the Napoleon customer solutions department for recommended replacement parts
1-866-820-8686.

Maintenance Instructions

General Requirements

This grill should be thoroughly inspected and serviced annually by a qualified service person.

- Do not obstruct the flow of ventilation and combustion air.
- Keep the cylinder enclosure ventilation openings located on the side of the cart or enclosure and front and back of the bottom shelf clear from debris.

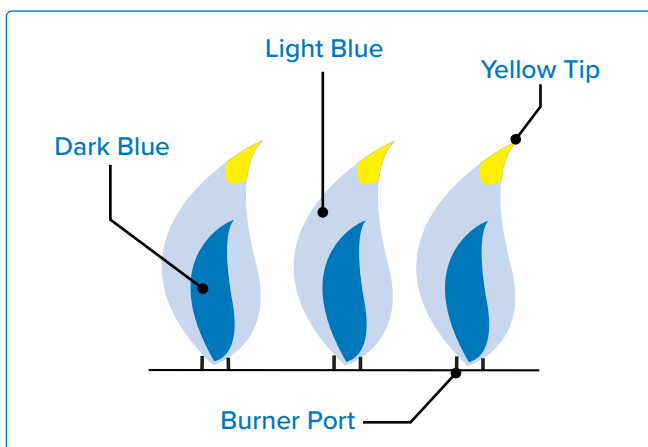
Combustion Air Adjustment



IMPORTANT!

- This must be done by a qualified gas installer.

- The air shutter is factory set and should not require adjusting under normal conditions. Adjustments might be required under extreme field conditions.
- The flames of the air shutter will be dark blue, tipped with light blue and occasionally yellow when adjusted correctly.
- Too little air flow to the burner will produce soot and lazy yellow flames.
- Too much air flow to the burner will cause flames to lift erratically and cause igniting difficulties.



Adjusting the Air Shutter

1. Remove cooking grids and sear plates. Leave lid open.
2. You must remove the burner to access and adjust the air shutter screw, as it is not otherwise accessible..
3. Remove the back cover to adjust rear tube burner air shutter.
4. Loosen air shutter lock screw and open or close air shutter as required.
5. Light the burners on high.
6. Visually inspect burner flames.
7. Turn burners off, tighten locking screws, and replace removed parts when shutters are set correctly.
8. Ensure insect screens are installed.



NOTE:

Infrared burners have no air adjustment.

Air Shutter Settings			
Model	Type of Gas	Main Burner	Rear Tube Burner
PRO500	Propane	Open	* 1/4" (6 mm)
	Natural Gas	* 1/8" (3 mm)	* 1/16" (2 mm)

* Each side of the air shutter

Table 1

Stainless In Harsh Environments

Stainless steel oxidizes or stains in the presence of chlorides and sulfides, especially in coastal regions, warm and highly humid areas, and around pools and hot tubs. These stains look like rust, but they can be easily removed or prevented. Wash stainless and chrome surfaces every 3-4 weeks. Clean with warm soapy water.

Burner Maintenance

- Extreme heat and a corrosive environment can cause surface corrosion to occur even though the burner is made from heavy wall 304 stainless steel.

Maintenance and Protection of Infrared Burners

Your infrared burners are designed to provide a long service life, but you must be careful to prevent cracking of their ceramic surfaces. Fractures will cause the burners to malfunction



IMPORTANT!

- Damage resulting from by failure to follow these instructions is **NOT** covered by your grill warranty.

Clearance Ventilation of Hot Air

- Hot air must have a way to escape the grill for the burners to function properly.
- The burners can become deprived of oxygen if the hot air is not allowed to escape causing them to back-flash. The ceramic can crack if this occurs repeatedly.



DANGER!

- Turn off gas at the source and disconnect the unit before servicing.
- A leak test must be performed annually and when any component of the gas train is replaced, or when the smell of gas is present.
- Maintenance should only be done when the grill is cool to avoid the possibility of burns.

Steps to Avoid Damaging Ceramic Surfaces

1. Never douse a flame or control flare-ups with water (**Fig. 20**).
2. Do not allow cold water (rain, sprinkler, hose etc.) to come in contact with hot ceramic burners. An immediate change in temperature will cause cracking of the ceramic tile.
3. A ceramic burner that becomes wet before use will create steam when operated later and produce pressure that will crack the ceramic.
4. Repeated soaking of the ceramic can cause it to swell and expand producing pressure that will make the ceramic crack and crumble.
5. Inspect the ceramic for possible water soaking if you find standing water in the grill. Remove the burner if the ceramic is wet. Turn it upside down to drain the excess water. Bring ceramic indoors to dry thoroughly.
6. Do not allow hard objects to impact the burner. Take care when inserting or removing cooking grids and using accessories.

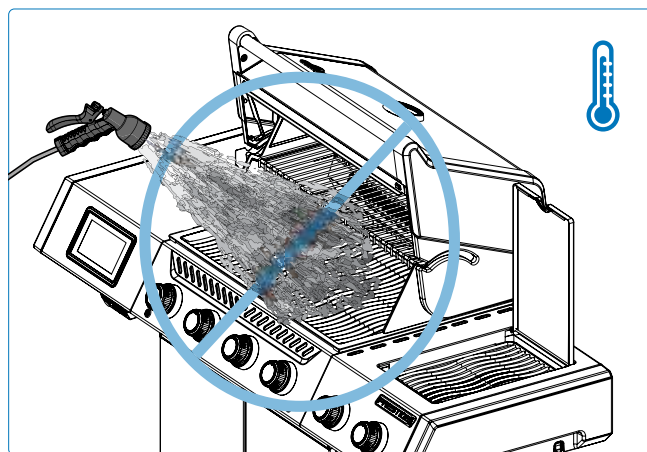


Fig. 20



SAFETY FIRST!

Never cover more than 75% of any main or side burner cooking surface with any solid metal (e.g. griddles or pans)

Door Adjustment

The appliance cart doors can be adjusted if they are uneven.

1. Locate the adjustment bracket at the top of the door.
2. Using a screwdriver, turn the door adjustment screw clockwise to raise the door, or counterclockwise to lower it.
3. After one or two turns of the screwdriver, open and close the door and check alignment at the top of the doors.
4. Adjust the hinge screws to align the cabinet doors so they are level with each other (**Fig.21**).
5. If necessary, repeat these steps until the doors are aligned.

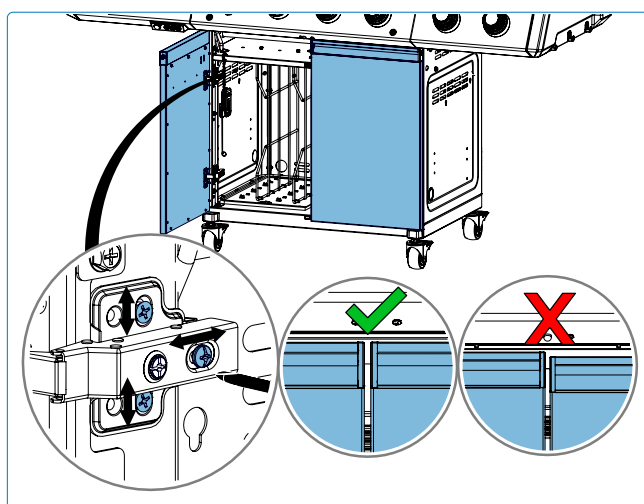
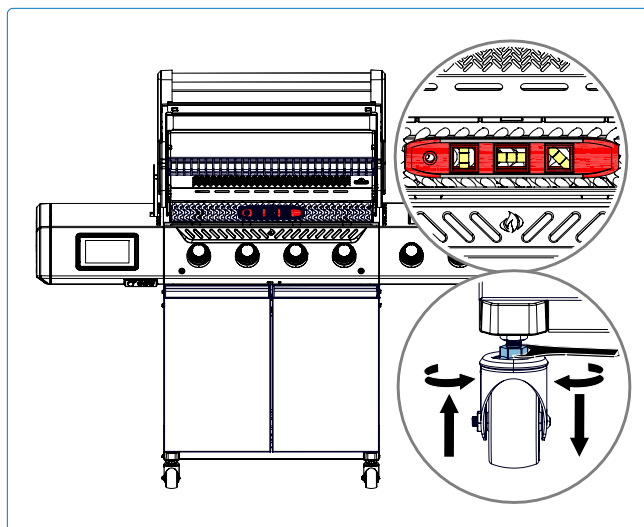


Fig. 21

WARNING!

- Only elevate one side of the appliance at a time. Do not tilt the appliance forward or backward.

Troubleshooting

Lighting Problems

- Main, rear or side burners will not light with the igniter, but will light with a match.
- Burners will not cross light each other.

	Possible causes	Solution
Main Burner	JETFIRE™ outlet is dirty or clogged.	Clean JETFIRE™ outlet with a soft bristle toothbrush.
	Dirty or corroded cross light brackets.	Clean or replace as required.
Rear and Side Burners	Loose electrode wire or switch terminal wires.	Check electrode wire is firmly pushed onto the terminal on the back of the igniter. Check the lead wires from the module to the ignition switch (if equipped) are firmly pushed onto their respective terminals.
	Lifting flames on burner.	Close air shutter according to “ Maintenance Instructions ”- Combustion Air Adjustment section in this Owner’s Manual. IMPORTANT! This must be done by a qualified gas installer.

Noises and Flare-ups

- Humming regulator.
- Excessive flare-ups and uneven heat.

Possible causes	Solution
Normal humming noise on hot days.	This isn’t a defect. It’s caused by internal vibrations in the regulator and doesn’t affect the performance or safety of the grill. Humming regulators WILL NOT be replaced.
The cylinder valve was opened too quickly.	Open cylinder valve slowly.
Sear plates installed incorrectly.	Ensure sear plates are installed with holes towards the front, and the slots on the bottom. See Assembly Instructions Guide.
Improper heating.	Preheat grill with all main burners on high for 10 to 15 minutes.
Excessive grease and ash build on sear plates and in drip pan.	Clean sear plates and drip pan regularly. Do not line pan with aluminum foil. Refer to “ Cleaning Instructions ”.

Gas Flow

- Low heat or low flame when valve is turned to high.
- Burners burn with yellow flame, accompanied by the smell of gas.
- Flames lift away from burner, accompanied by the smell of gas, and possible lighting difficulties.
- Burner output on HIGH, but setting is LOW. Rumbling noise and fluttering blue flame at burner surface.

Possible causes	Solution
Propane – improper lighting procedure.	Ensure lighting procedure is followed carefully. All gas valves must be in the OFF position when the tank valve is turned on. Turn tank on slowly to allow pressure to equalize. See Operation – "Lighting Instructions" .
Natural gas – undersized supply line.	Pipe must be sized according to installation code.
Leaking gasket surrounding the ceramic tile, or a weld failure in the burner housing.	Allow burner to cool and inspect very closely for cracks. Contact your authorized Napoleon dealer to order replacement burner assembly if any cracks are found.
Both gas propane and natural gas – improper preheating.	Preheat grill with both main burners on high for 10 to 15 minutes.
Possible spider web or other debris.	Thoroughly clean nest or webs out of your burner orifice by removing it and following instructions in this manual. See "Cleaning Instructions" .
Improper air shutter adjustment.	Open or close air shutter slightly according to this manual. See "Maintenance Instructions" . IMPORTANT! This must be done by a qualified gas installer.
Lack of gas.	Check gas level in propane cylinder.
Supply hose is pinched.	Reposition supply hose as necessary.
Propane regulator in low flow state.	Turn the burners off and close the tank valve, wait 5 minutes before fully re-opening the valve, allow a few seconds for the pressure to equalize before following the Lighting Instructions to start the grill. Ensure igniting procedure is followed carefully every time you cook. All gas valves must be OFF when the tank valve is turned on. Always open the tank valve slowly.

Peeling Paint

- Paint appears to be peeling inside lid or hood.

Possible causes	Solution
Grease build-up on inside surfaces.	This is not a defect. The finish on the lid and hood is porcelain or stainless steel and will not peel. The peeling is caused by hardened grease (known as creosote), which dries into paint-like shards, that flake off. Regular cleaning will prevent this. See " Cleaning instructions ".

Infrared Burner Flashes Back

- During operation the burner abruptly makes a loud whoosh sound, followed by a continuous blow-torch type sound and grows dim or has a large flame on start up.

Possible causes	Solution
Ceramic tiles overloaded with grease drippings and build-up. Ports are clogged.	Turn burner OFF and allow to cool for at least 2 minutes. Reignite burner and burn on HIGH for at least 5 minutes, or until the ceramic tiles are evenly glowing red.
Burner overheated due to inadequate ventilation. Too much grill surface covered by griddle or pan.	Ensure no more than 75% of the grill surface is covered by objects or accessories. Turn burner OFF and allow to cool for at least 2 minutes. Reignite.
Leaking gasket surrounding the ceramic tile, or a weld failure in the burner housing.	Allow burner to cool and inspect very closely for cracks. Contact your authorized Napoleon dealer to order replacement burner assembly if any cracks are found.



WE WANT TO HELP!

Napoleon is here to ensure your grilling experience is memorable. Contact us if you require additional help.

Pairing the App with the Appliance

- On the display, always ensure that the Bluetooth® and Wi-Fi logo icon is flashing, indicating it is ready to pair with a smart device.

App Problem	Possible Causes / Solution
<p>The app is not installed or is not properly installed.</p>	<ul style="list-style-type: none"> • Connect to Internet via Wi-Fi and download the app from the Apple App Store or Google Play™. • Follow prompts to automatically install and open the app. • Uninstall and reinstall app if needed (see "Napoleon Home App" for more details). • Expand app permissions. • Check the app icon on home screen.
<p>The app is installed but shows a screen with a "probe is not connected" text.</p>	<ul style="list-style-type: none"> • Ensure probes are properly inserted into the slots on your appliance. • Maximize receptivity by facing the display on the appliance with the smart device in close range. • Completely close the app and restart it (be familiar with your device's basic operations and settings). • Close out any unnecessary programs on the smart device that may be consuming memory.
<p>The app worked before, but the device name is not listed in the app device list.</p>	<ul style="list-style-type: none"> • App is not searching or not able to find the device. • Click "Try Again" on the "no devices found" page or hit the back button on the "devices found" page to restart scan. • Turn the display off and on by holding the power button for 5 seconds. Ensure Bluetooth® is activated in the mobile smart device settings. • Bring the smart device close to the display unit. • Refresh the memory cache by closing and reopening the app. • Ensure your device's location setting is turned on. • Wait between 30 and 60 seconds between steps.

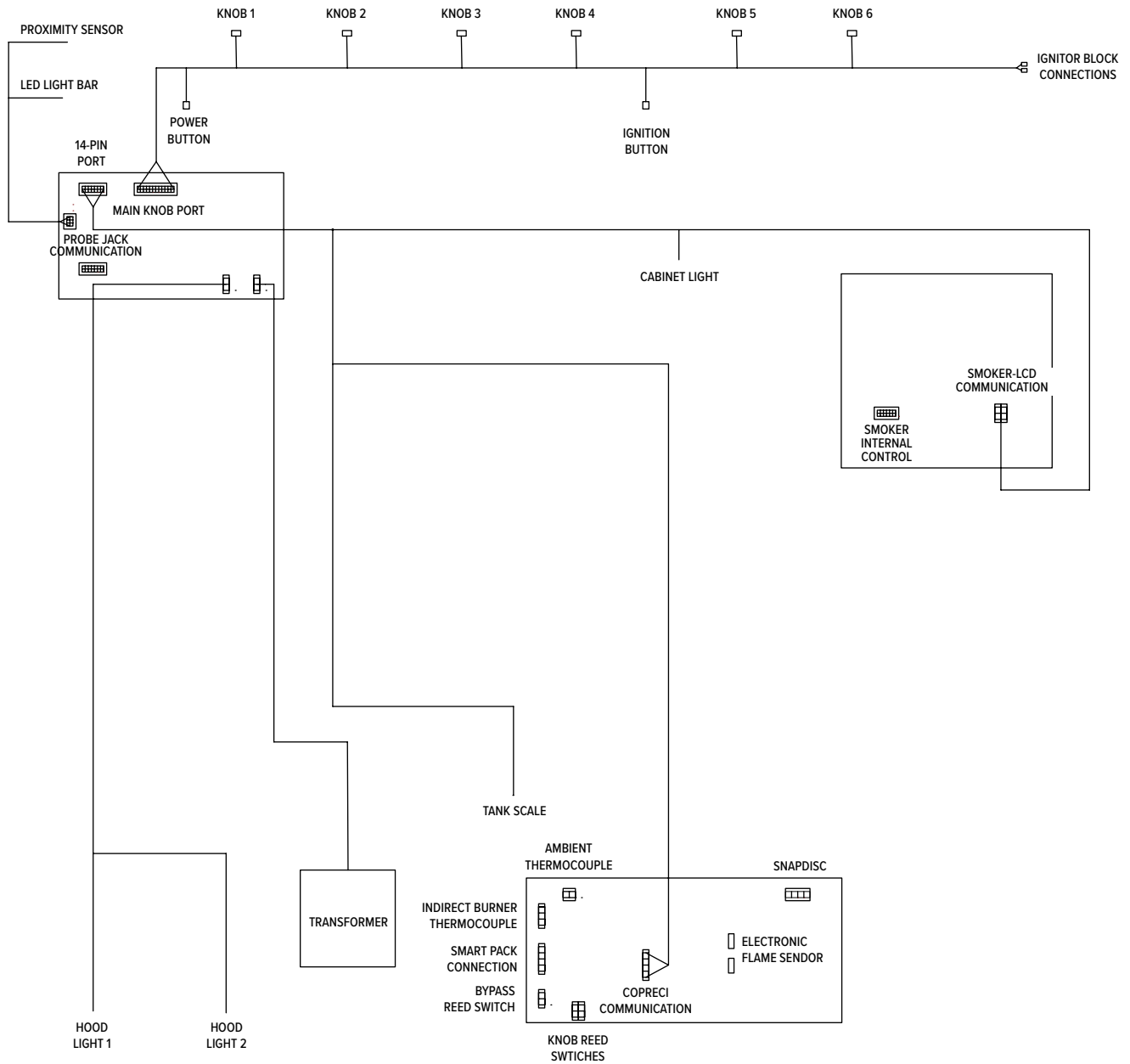
App Problem	Possible Causes / Solution
<p>The appliance lost the connection while in operation and shows a "connection lost" page.</p>	<ul style="list-style-type: none"> • Try to locate cause of frequency interference or physical obstruction. • Ensure both the appliance and smartphone have internet access, and Bluetooth® is enabled on your smartphone. • Toggle the display unit off and on. • Force close and reopen the app as a last resort.
<p>The alarms are not working.</p>	<ul style="list-style-type: none"> • Check the device connection. • Check appropriate sounds or notifications are turned on in your smart device settings. • Check that alarm (or vibrate) notification is selected in the Napoleon Home App.
<p>The appliance will not connect to Wi-Fi.</p>	<ul style="list-style-type: none"> • The appliance only supports the 2.4GHz Wi-Fi band. Check your router settings. Ensure your router is broadcasting in 2.4GHz. Some routers have the ability to broadcast in multiple bands. • Check your router's settings to ensure the 2.4GHz band is enabled. • Other electronic devices can interfere with the Wi-Fi signal. Try moving the device away from electronics that might be causing interference.



**PARTS
RESOURCES**

Go to napoleon.com
or your Assembly
Guide for replacement
parts instructions.

Diagram for Electrical Connections



Compliance

Product Name	Model Number	FCC ID	IC ID
PRESTIGE PRO	PRO500VX	VA8-PRO665VX	7114A-PRO665VX

This device complies with Part 15 of the FCC Rules. Operation is subject to the following two conditions:

1. The device may not cause harmful interference.
2. The device must accept any interference received, including interference that may cause undesired operation. Changes or modifications not expressly approved by the party responsible for compliance could void the user's authority to operate the equipment.

FCC Compliance:

This equipment has been tested and found to comply with the limits for a Class B digital device, pursuant to Part 15 of the FCC Rules. These limits are designed to provide reasonable protection against harmful interference in a residential installation.

This equipment generates, uses, and can radiate radio frequency energy and, if not installed and used in accordance with the instructions, may cause harmful interference to radio communications. However, there is no guarantee that interference will not occur in a particular installation.

If this equipment does cause harmful interference to radio or television reception, which can be determined by turning the equipment off and on, the user is encouraged to try to correct the interference by one or more of the following measures:

- Reorient or relocate the receiving antenna.
- Increase the separation between the equipment and receiver.
- Connect the equipment into an outlet on a circuit different from that to which the receiver is connected.
- Consult the dealer or an experienced radio/TV technician for help.

RF Exposure Statement

To maintain compliance with FCC's RF Exposure guidelines, the antenna used with this transmitter must be installed to provide a minimum separation distance of at least 20 cm from all persons and

must not be co-located or operating in conjunction with any other antenna or transmitter.

ISED Canada Statement:

This device contains license-exempt transmitter(s)/ receiver(s) that comply with Innovation, Science and Economic Development Canada's license-exempt RSS(s). Operation is subject to the following two conditions:

1. This device may not cause interference; and
2. This device must accept any interference, including interference that may cause undesired operation of the device.

Radio Equipment Directive:

Hereby, Napoleon declares that the radio equipment type PRESTIGE P500VX - P665VX is in compliance with Directive 2014/53/EU.

Radiation Exposure: This equipment complies with Canada radiation exposure limits set forth for an uncontrolled environment.

RF Exposure Statement:

To maintain compliance with IC's RF Exposure guidelines, the antenna used with this transmitter must be installed to provide a minimum separation distance of at least 20 cm from all persons and must not be co-located or operating in conjunction with any other antenna or transmitter.

This radio transmitter [7114A-PRO665VX] has been approved by Innovation, Science and Economic Development Canada to operate with the antenna types listed below, with the maximum permissible gain indicated. Antenna types not included in this list that have a gain greater than the maximum gain indicated for any type listed are strictly prohibited for use with this device.

Detachable antenna:

-0.19 dBi at 2.4 GHz, 50Ω, External Antenna

The antenna of the device's BT and WiFi is detachable.

NAPOLEON® LIMITED LIFETIME WARRANTY

FOR PRESTIGE®, PRESTIGE PRO™ AND BUILT-IN SERIES MODELS



Napoleon products are designed with superior components and materials and are assembled by trained craftsmen who take great pride in their work. The burner and valve assembly are leak tested and test-fired at a quality test station. This grill has been thoroughly inspected by a qualified technician before packaging and shipping to ensure that you, the customer, receive the quality product you expect from Napoleon.

Thank you for purchasing a Napoleon product. Napoleon (Wolf Steel Ltd, Barrie, ON, Canada) warrants that the components in your new Napoleon product will be free from defects in material and workmanship from the date of purchase, for a period of 15 years.

Hood.....	Lifetime
Stainless Steel Lid.....	Lifetime
Porcelain Enamel Lid.....	Lifetime
Aluminum Castings.....	Lifetime
Stainless Steel Cooking Grids.....	Lifetime
Stainless Steel Tube Burners.....	Lifetime
Stainless Steel Sear Plates.....	15 Years
Porcelain Enamel Cast Iron Grids.....	15 Years
Stainless Steel Infrared Rotisserie.....	15 Years
Infrared Bottom/Side Burner.....	15 Years
Electrical Components.....	3 Years
All Other Parts.....	15 Years

Conditions and limitations:

This Limited Warranty creates a warranty period as specified in the aforementioned table, for products purchased through an authorized Napoleon dealer, and entitles the original purchaser (or gift recipient in the case where a new product is given as a gift) to the specified coverage in respect of any component replaced within the warranty period, either by Napoleon or an authorized Napoleon dealer, to replace a component of such product that has failed in normal private use as a result of a manufacturing defect. This warranty does not cover accessories or bonus items.

For greater certainty, “normal private use” of a product means that the product: has been installed (where applicable) by a licensed, authorized service technician or contractor, in accordance with the installation instructions included with the product and all local and national building and fire codes; has been properly cleaned and maintained according to the instructions; and has not

been used as a communal amenity or in a commercial application. In the case of use in communal or commercial applications (where approved), the warranty is reduced to a period of two (2) years.

Similarly, “failure” does not include: damage caused by over-firing, blow outs caused by environmental conditions such as strong winds or inadequate ventilation, scratches, dents, corrosion, deterioration of painted and plated finishes, discoloration caused by heat, abrasive or chemical cleaners or UV exposure, chipping of porcelain enameled parts, or damages caused by misuse, accident, hail, grease fires, lack of cleaning and maintenance, hostile environments such as salt or chlorine, alterations, abuse, neglect or parts installed from other manufacturers. If you live in a coastal area, or have your product located near a pool or hot tub, maintenance includes regular washing and rinsing of the exterior surfaces as outlined in the accompanying owner’s manual, in order to prevent surface corrosion.

NAPOLEON[®]

LIMITED LIFETIME WARRANTY

FOR PRESTIGE[®], PRESTIGE PRO[™] AND BUILT-IN SERIES MODELS

Should deterioration of parts occur to the degree of non-performance (rusted through or burnt through) within the duration of the warranted coverage, a replacement part will be provided. Parts replaced under this warranty are warranted only for the balance of the period specified in the aforementioned table.

The replacement component is the sole responsibility of Napoleon defined by this warranty; in no event will Napoleon be responsible for installation, labor or any other costs or expenses related to the re-installation of a warranted part, for any incidental, consequential or indirect damages, or for any handling and transportation charges or export duties.

The use and/or installation of parts on your Napoleon product that are not genuine Napoleon parts will void this warranty, and any damages that result hereby are not covered by this warranty. Any conversion of a gas grill not authorized by Napoleon and performed by a Napoleon authorized service technician will void this warranty.

This warranty is provided in addition to any rights afforded to you by local laws. These and other statutory rights remain unaffected by this warranty provision.

Accordingly, this warranty imposes no obligation upon Napoleon to keep parts in stock. Based on the availability of parts,

Napoleon may at its discretion discharge all obligations by providing a customer a prorated credit towards a new product. Napoleon may from time to time update the design of its products. Nothing contained in this warranty shall be construed as obligating Napoleon to incorporate such design updates into previously manufactured products, nor shall such updates be construed as an admission that previous designs were defective.

Registering your Napoleon product confirms your warranty coverage, will expedite any warranty claims you may need to make, and provides a link between you and Napoleon in case we ever need to contact you. When making warranty claims, Napoleon representatives may request from you the bill of sale or copy, together with a serial number and a model number. Napoleon reserves the right to have its representative inspect any product or part prior to honoring any warranty claim. You must contact Napoleon Customer Service or an authorized Napoleon dealer to obtain the benefit of the warranty coverage.



PRESTIGE[®] PRO

Manuel du propriétaire

PRO500VX

Les barbecues illustrés dans ce manuel peuvent différer du modèle acheté.

Nous voulons vos commentaires!
Visitez Napoleon.com pour écrire un commentaire.



Appliquer le numéro de série



P.117

FÉLICITATIONS POUR VOTRE GRIL NAPOLEON®!

Vous venez d'améliorer votre
expérience de cuisson au barbecue.



UTILISEZ UNIQUEMENT À L'EXTÉRIEUR DANS UN ENDROIT BIEN VENTILÉ.

⚠ DANGER ! ⚠

SI VOUS SENTEZ DU GAZ :

- Fermez l'alimentation en gaz de l'appareil.
- Éteignez toute flamme nue.
- Ouvrez le couvercle.
- Si l'odeur persiste, éloignez-vous de l'appareil et appelez immédiatement votre fournisseur de gaz ou le service d'incendie.

⚠ AVERTISSEMENT ! ⚠

Ne tentez pas d'allumer cet appareil sans avoir lu la section « ALLUMAGE » de ce manuel. Ne rangez ni n'utilisez de l'essence ou d'autres liquides ou vapeurs inflammables à proximité de cet appareil ou de tout autre appareil.

Un cylindre de propane (L.P.) non raccordé pour l'utilisation ne doit pas être entreposé à proximité de cet appareil ou de tout autre appareil.

Si les instructions ne sont pas suivies exactement, un incendie ou une explosion peut survenir et causer des dommages matériels, des blessures graves ou la mort.



NOTRE OBJECTIF EST DE RENDRE VOTRE EXPÉRIENCE DE CUISSON AU BARBECUE À LA FOIS MÉMORABLE ET SÉCURITAIRE.



Veillez lire ce manuel du propriétaire avant d'utiliser l'appareil afin d'éviter des dommages matériels, des blessures ou la mort.



Retirez tout le matériel d'emballage, les étiquettes promotionnelles et les cartes du gril avant utilisation.



Avertissez les adultes et les enfants du danger lié aux températures élevées des surfaces.



Les enfants doivent être surveillés afin de s'assurer qu'ils ne jouent pas avec l'appareil.

AVIS À L'INSTALLATEUR :

Laissez ces instructions au propriétaire du gril pour référence ultérieure.

AVIS AU CONSOMMATEUR :

Conservez ces instructions pour référence ultérieure.

Bienvenue chez NAPOLÉON®!

La sécurité avant tout

ATTENTION !

Informations générales

Ce barbecue doit être installé conformément aux codes locaux. En l'absence de codes locaux, installez selon le Code d'installation du gaz naturel et du propane CSA B149.1 au Canada, ou le National Fuel Gas Code ANSI Z223.1/NFPA 54 aux États-Unis.

Si une source électrique externe est utilisée, l'appareil doit également être mis à la terre conformément aux codes locaux. En l'absence de codes locaux, suivez le Code canadien de l'électricité CSA C22.1 au Canada, ou le National Electrical Code NSI/NFPA 70 aux États-Unis.

ATTENTION !

Stockage et mise hors service

Fermez le gaz à la bouteille de propane ou à la vanne d'alimentation en gaz naturel. Débranchez le tuyau entre la bouteille de propane et le barbecue. Retirez la bouteille de propane et rangez-la à l'extérieur, dans un endroit bien ventilé, hors de portée des enfants.

Débranchez de la prise lorsqu'il n'est pas utilisé et avant le nettoyage. **NE STOCKEZ PAS** les bouteilles de propane dans un bâtiment, un garage, un abri ou tout autre espace fermé. Débranchez le raccordement au gaz naturel de l'alimentation lorsque vous rangez le barbecue à l'intérieur.

Placez le capuchon anti-poussière sur la sortie de la valve de la bouteille lorsqu'elle n'est pas utilisée. N'installez que le type de capuchon anti-poussière fourni avec la valve de la bouteille sur la sortie de la valve. D'autres types de capuchons ou de bouchons peuvent entraîner des fuites de propane.

ATTENTION !

Opération

Effectuez un test d'étanchéité de ce barbecue avant chaque utilisation, chaque année et lors du remplacement de tout composant de gaz.

Suivez attentivement les instructions d'allumage. N'utilisez pas ce barbecue à d'autres fins que celles prévues.

N'utilisez pas ce barbecue avec un cordon ou une prise endommagés, ou après un dysfonctionnement ou tout dommage. Contactez NAPOLÉON pour une réparation.

Cet appareil n'est pas destiné à être utilisé par des personnes (y compris les enfants) ayant des capacités physiques, sensorielles ou mentales réduites, ou manquant d'expérience et de connaissances, sauf si elles ont été supervisées ou ont reçu des instructions concernant l'utilisation de l'appareil par une personne responsable de leur sécurité.

ATTENTION !

Installation et assemblage

Assemblez ce barbecue exactement comme indiqué dans le guide d'assemblage. Si le barbecue a été assemblé en magasin, consultez les instructions d'assemblage pour vous assurer qu'il a été correctement monté. Ce barbecue n'est pas destiné à être installé dans ou sur des bateaux, ni dans ou sur des véhicules récréatifs.

Effectuez le test d'étanchéité requis avant d'utiliser le barbecue. Ne modifiez en aucun cas ce barbecue. Laissez le barbecue refroidir avant d'installer ou de retirer des pièces. N'utilisez pas de bouteille qui n'est pas équipée d'un raccord de type QCC1. N'utilisez que le détendeur et le tuyau fournis avec ce barbecue ou des pièces de rechange spécifiquement recommandées par NAPOLÉON.

 **ATTENTION !****Précautions électriques**

Pour éviter tout risque d'électrocution, ne plongez pas le cordon ou les fiches dans l'eau ou tout autre liquide. Ne laissez pas le cordon pendre au bord d'une table ou toucher des surfaces chaudes. Lors du branchement, connectez d'abord la fiche au barbecue, puis branchez le barbecue à la prise. Utilisez uniquement un circuit protégé par un disjoncteur différentiel (GFI) avec ce barbecue.

Ne retirez jamais la fiche de mise à la terre et n'utilisez jamais d'adaptateur à deux broches. Cet appareil est équipé d'une connexion à la terre à des fins fonctionnelles uniquement.

Utilisez uniquement des rallonges avec une fiche de mise à la terre à trois broches, adaptées à la puissance du gril et homologuées pour une utilisation en extérieur avec le marquage W-A.

Si le cordon d'alimentation électrique est endommagé, il doit être remplacé par un revendeur agréé Napoleon, son agent de service ou des personnes qualifiées afin d'éviter tout danger.

 **ATTENTION !****Proposition 65 de la Californie**

Ce produit peut vous exposer à des produits chimiques, y compris la suie, qui sont reconnus par l'État de Californie comme causant le cancer, et à des produits chimiques, y compris le monoxyde de carbone, qui sont reconnus par l'État de Californie comme causant des malformations congénitales ou d'autres problèmes de reproduction.

Pour plus d'informations, rendez-vous sur www.p65warnings.ca.gov

CONTENU

Bienvenue chez NAPOLÉON!	62
La sécurité avant tout	62
Caractéristiques complètes du système	66
Pour commencer	68
Symboles de sécurité à connaître	68
Pratiques d'utilisation sûres supplémentaires	68
Emplacement de votre gril	70
Raccordements au gaz	71
Test d'étanchéité	74
Instructions de démarrage rapide	75
Connectivité Napoleon	76
Guide d'activation du mode d'appairage	78
Aperçu et fonctionnement du système	79
Fonctionnalités de contrôle (si équipé)	79
Allumage de votre gril	86
Comment utiliser la rôtissoire	90
Stockage	91
Liste de contrôle pour une expérience de grillade réussie	92
Assistance de cuisson ACCU-PROBE®	93
Appareils compatibles	93
Aperçu de l'affichage	93
Fonctionnement de l'affichage	94
Mesures de sécurité	96
Dégagement	96
Guide de grillade infrarouge	97
Instructions de nettoyage	99
Première utilisation	99
Grilles en acier inoxydable	99
Brûleur latéral infrarouge	99
Intérieur du gril	100
Bac de récupération	101
Thermocouples	101

Panneau de contrôle	102
Pièces moulées en aluminium	102
Surface extérieure du gril	102
Moustiquaire et orifices des brûleurs	103
Sondes de température	104
<hr/>	
Instructions d'entretien	105
Exigences générales	105
Réglage de l'air de combustion	105
Inox dans des environnements difficiles	106
<hr/>	
Dépannage	108
Problèmes d'éclairage	108
Débit de gaz	109
Peinture écaillée	110
Appairage de l'application avec l'appareil	111
<hr/>	
Schéma des connexions électriques	113
<hr/>	
Conformité	114
<hr/>	
Garantie	115

Caractéristiques complètes du système

Plaques de saisie en acier inoxydable à deux niveaux pour une chaleur uniforme et constante, et pour vaporiser les jus afin d'obtenir des aliments plus savoureux.

Brûleur arrière infrarouge pour rôtissoire afin de savourer de succulents repas à la rôtissoire.

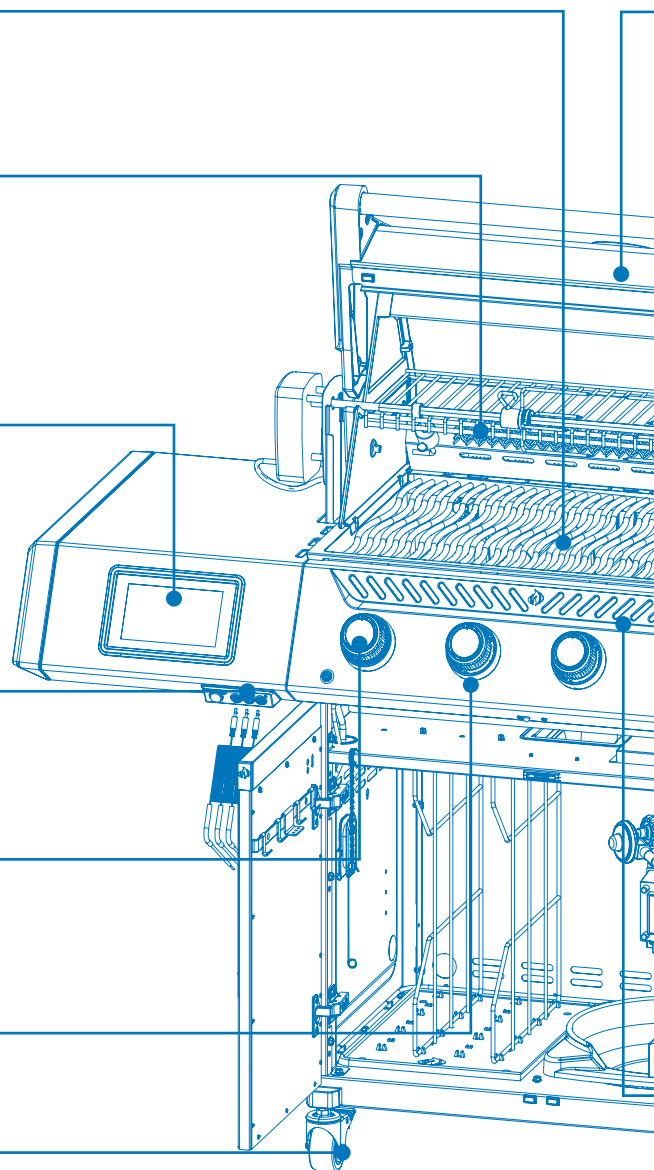
Écran tactile 7 pouces compatible Wi-Fi et Bluetooth® avec réglages personnalisés de surveillance de la température.

Livré avec trois sondes filaires pour une performance fiable.

Boutons de commande **LED SPECTRUM NIGHT LIGHT™** avec indicateur de **SÉCURITÉ LUMINEUX.**

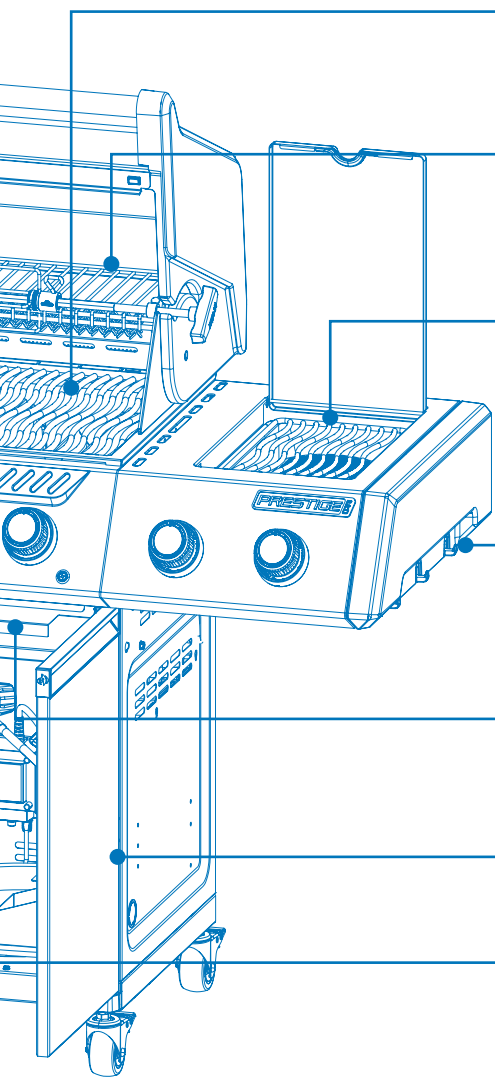
Allumage instantané **JETFIRE™** pour un démarrage rapide et facile.

Roues verrouillables faciles à utiliser pour maintenir le gril en position de façon sécuritaire.



IMPORTANT!

Les grils illustrés dans ce manuel d'utilisation peuvent différer du modèle que vous avez acheté.
Modèle présenté : PRO500VX



Thermomètre **ACCU-PROBE™** pour lire facilement la température et obtenir des résultats parfaits.

Grilles de cuisson en acier inoxydable au emblématique **WAVE Design™** pour des marques de saisie distinctives et une cuisson uniforme.

Grande grille de réchauffement en acier inoxydable pour augmenter la surface de cuisson.

Brûleur latéral infrarouge **Sizzle Zone®** pour des steaks parfaitement grillés.

Espace de rangement pour les outils de cuisson.

Tiroir à bac d'égouttement avec plateau et récipient à graisse facilement amovibles.

Armoire facilement réglable
Portes à fermeture douce.

Brûleurs robustes en acier inoxydable pour une qualité durable.

Pour commencer

Symboles de sécurité à connaître



DANGER!

Signale un risque qui peut entraîner un incendie, une explosion, la mort ou des blessures physiques graves.



AVERTISSEMENT!

Signale un danger pouvant entraîner des blessures physiques mineures ou des dommages matériels.



Ne fumez pas lorsque vous effectuez un test d'étanchéité au gaz. Les étincelles ou les flammes peuvent provoquer un incendie, une explosion, des dégâts matériels, des blessures physiques graves ou la mort.



N'utilisez jamais une flamme nue pour vérifier s'il y a des fuites de gaz. Les étincelles ou les flammes peuvent provoquer un incendie, une explosion, des dégâts matériels, des blessures physiques graves ou la mort.



ATTENTION! Surface chaude.



Fermez immédiatement l'alimentation en gaz et débranchez-la.



Porter des lunettes de sécurité.



Porter des gants de protection.



Informations importantes.

Pratiques d'utilisation sûres supplémentaires

- N'acheminez pas le tuyau sous la lèchefrite. Maintenez un dégagement adéquat du tuyau par rapport au bas de l'appareil.
- Assurez-vous que les plaques de saisie sont positionnées conformément aux instructions d'installation des plaques de saisie.
- Éteignez les commandes des brûleurs avant d'ouvrir la vanne de la bouteille de gaz.
- N'allumez pas les brûleurs avec le couvercle fermé.
- N'utilisez pas le(s) brûleur(s) arrière(s) en même temps que les brûleurs principaux.
- Ne fermez pas le couvercle du brûleur latéral pendant l'utilisation ou lorsqu'il est chaud.
- Ne faites pas frire d'aliments sur le brûleur latéral.
- N'ajustez pas les grilles de cuisson pendant que le barbecue fonctionne ou lorsqu'il est chaud.
- Ne pas déplacer l'appareil pendant son utilisation.
- Couper l'alimentation en gaz à la source après utilisation.



ATTENTION!

Le couvercle du barbecue et toute la chambre de combustion peuvent devenir très chauds pendant l'utilisation.

- Ne pas modifier l'appareil.
- N'effectuez l'entretien que lorsque le barbecue est froid.
- Ne rangez pas de briquets, allumettes ou autres combustibles à l'intérieur de l'enceinte ou du plateau à condiments.
- Gardez tous les câbles d'alimentation électrique et les tuyaux d'alimentation en carburant éloignés des surfaces chauffées.
- Nettoyez régulièrement le bac à graisse, le plateau d'égouttement et les plaques de saisie pour éviter l'accumulation et les feux de graisse.
- Inspectez et nettoyez régulièrement le brûleur infrarouge et les tubes venturi du brûleur principal pour les garder exempts de toiles d'araignées et autres obstructions.
- Ne laissez pas l'eau froide (pluie, arroseur, tuyau, etc.) entrer en contact avec le barbecue chaud. Un changement immédiat de température endommagera la porcelaine et fissurera les brûleurs en céramique.
- N'utilisez pas de nettoyeur haute pression pour nettoyer une partie quelconque du barbecue.
- Ne placez pas le barbecue là où il pourrait être exposé à de forts vents, surtout si le vent peut venir directement de l'arrière du barbecue.
- Assurez-vous que l'appareil est maintenu à une distance de sécurité des constructions inflammables.
- Ne couvrez jamais plus de 75 % de la surface de cuisson avec du métal solide.
- Tenez l'appareil éloigné des matériaux inflammables pendant l'utilisation.
- La température ambiante minimale de fonctionnement pour une utilisation en toute sécurité est de 0 °F (-17,8 °C).
- Ne rangez rien à l'intérieur du boîtier à fumée, à l'exception du plateau à copeaux de bois.

! IMPORTANT!

- Maintenez toujours des distances de sécurité appropriées par rapport aux matériaux combustibles :



! AVERTISSEMENT!

- Le raccordement et l'installation du gaz et du tuyau doivent être effectués par un installateur de gaz agréé, et un test d'étanchéité doit être réalisé avant d'utiliser le barbecue.
- Assurez-vous que les tuyaux n'entrent pas en contact avec les surfaces à haute température du barbecue.
- Les parties accessibles peuvent être très chaudes. Tenez les jeunes enfants à l'écart.
- Tenez les tuyaux d'alimentation en carburant éloignés de toute surface chauffée, arête vive ou graisse qui coule.

Emplacement de votre grill

Assurez-vous que l'emplacement de votre barbecue à gaz respecte toutes les exigences de dégagement par rapport aux matériaux combustibles adjacents.

Toujours respecter les distances de sécurité appropriées par rapport aux matériaux combustibles : 68,6 cm (27 po) à l'arrière et 17,8 cm (7 po) sur les côtés.

Cet appareil est destiné à être utilisé sur une terrasse ou dans votre jardin.

- N'utilisez l'appareil que dans un endroit hors sol, à l'air libre, avec une ventilation naturelle et sans zones stagnantes. Veillez à ce que les fuites de gaz et les produits de combustion soient rapidement dispersés par le vent et la convection naturelle.
- N'utilisez pas l'appareil dans un bâtiment, un garage ou tout autre espace clos.
- Ne pas intégrer l'appareil dans une construction encastrée ou coulissante.
- Ne pas obstruer les ouvertures de ventilation dans l'enceinte de la bouteille.

Toute enceinte dans laquelle l'appareil est utilisé doit répondre à l'une des exigences suivantes :

- L'appareil est considéré comme étant à l'extérieur s'il est installé dans un abri avec des murs sur trois côtés mais sans couverture (**Fig. 1**).
- Un appareil est considéré comme étant à l'air libre s'il est installé dans un abri doté d'un toit et de deux parois latérales au maximum.
 - » Les parois peuvent être parallèles, comme dans le cas d'un parpaing, ou perpendiculaires l'une à l'autre (**Fig. 2 et Fig. 3**).
- Un appareil est considéré comme étant à l'air libre s'il est installé dans un abri comportant trois parois latérales et un couvercle, à condition que 30 % ou plus de la périphérie horizontale de l'enceinte soit ouverte en permanence (**Fig. 4 et Fig. 5**).



IMPORTANT!

- Toutes les ouvertures doivent être ouvertes en permanence.
- Les portes coulissantes, les portes de garage, les fenêtres ou les ouvertures grillagées ne sont pas considérées comme des ouvertures permanentes.

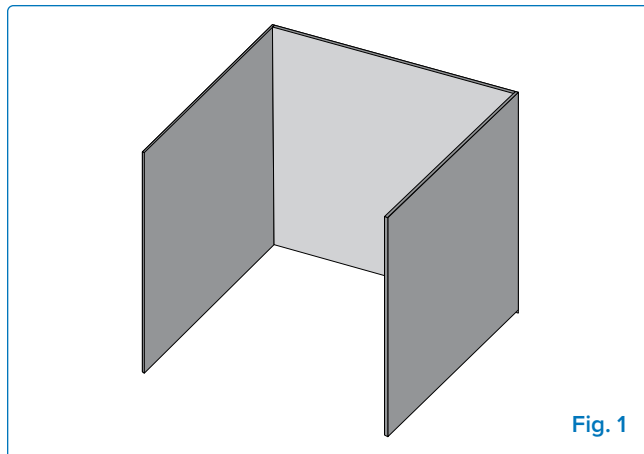


Fig. 1

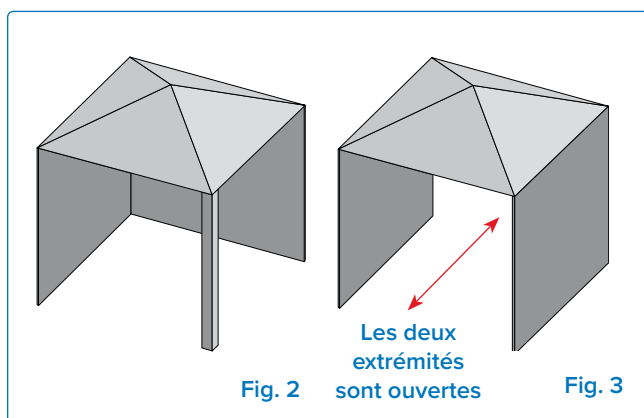
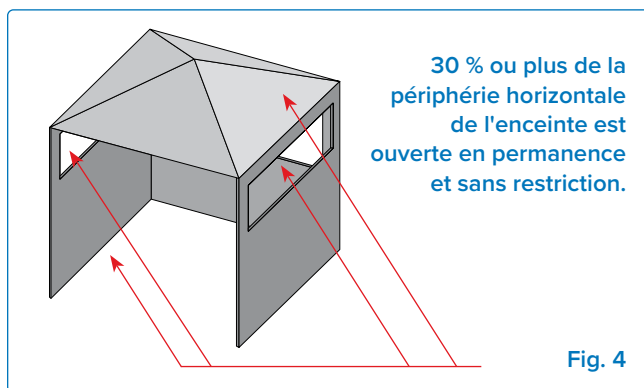


Fig. 2

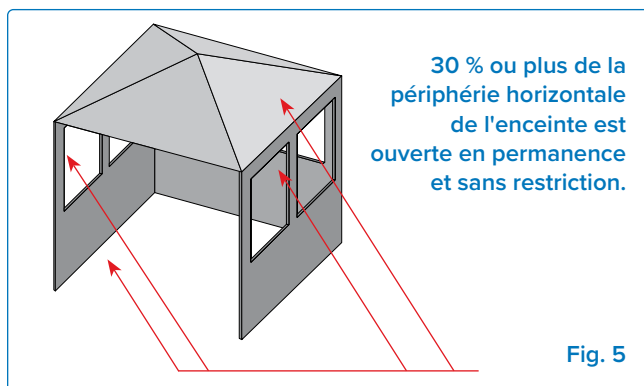
Les deux extrémités sont ouvertes

Fig. 3



30 % ou plus de la périphérie horizontale de l'enceinte est ouverte en permanence et sans restriction.

Fig. 4



30 % ou plus de la périphérie horizontale de l'enceinte est ouverte en permanence et sans restriction.

Fig. 5

Raccordements au gaz

Vers une bouteille de propane : Option 1

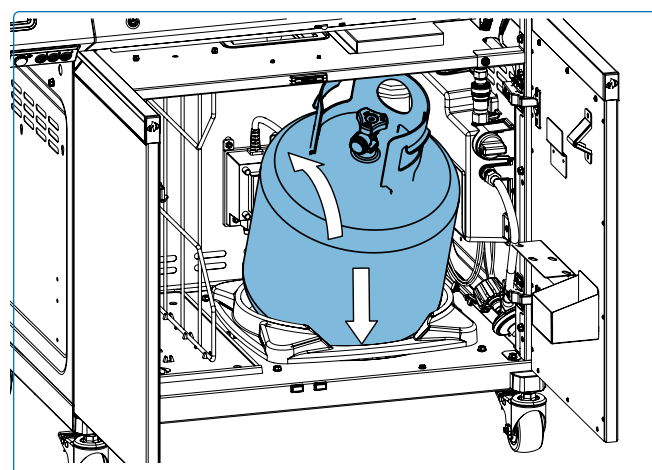
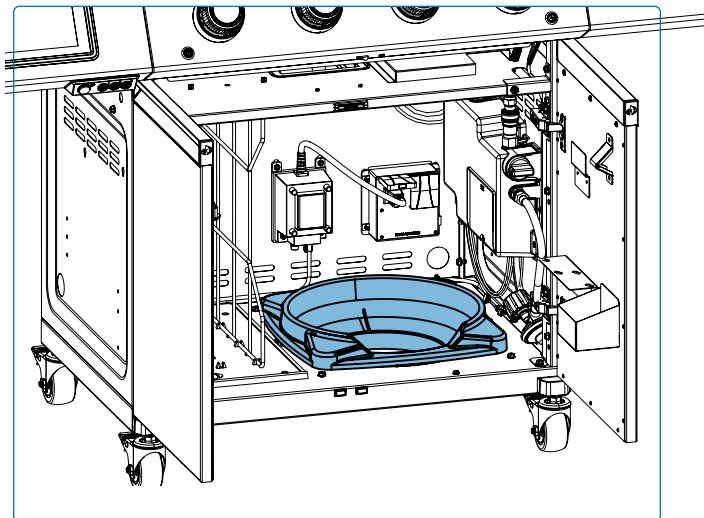
N'utilisez qu'une bouteille de propane de 20 lb (9,1 kg) construite et marquée conformément aux spécifications pour les bouteilles de gaz de pétrole liquéfié du Département des Transports des États-Unis (D.O.T.) ou à la norme pour les bouteilles, sphères et tubes pour le transport des marchandises dangereuses et la Commission, CAN/CSA-B339, selon le cas.

N'utilisez qu'un régulateur de pression de gaz spécifié par Napoleon. Le régulateur doit fournir une pression de 11 pouces de colonne d'eau (0,39 psi) et être équipé d'un raccord de type QCC1.

Le dispositif de connexion de la bouteille doit être compatible avec le raccordement de cet appareil extérieur.

La bouteille de propane doit avoir :

- Une vanne d'arrêt avec un raccord QCC1.
- Un dispositif de sécurité de surpression.
- Un collier pour protéger la vanne.
- Un dispositif de protection contre le trop-plein homologué.

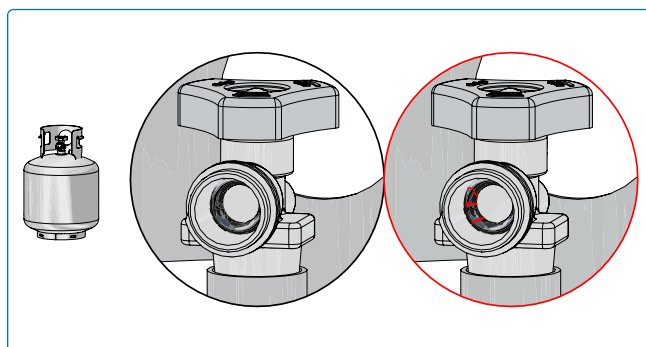
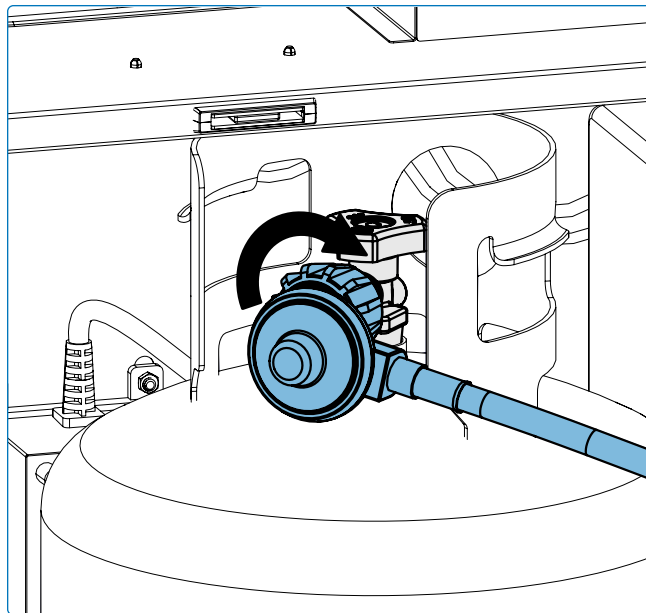


AVERTISSEMENT!

- Ne pas entreposer de bouteille de gaz de recharge sous ou à proximité de l'appareil.
- Ne pas utiliser une bouteille de gaz remplie à plus de 80 %.
- Respectez scrupuleusement toutes les spécifications et instructions afin d'éviter tout incendie, explosion, dommage matériel, blessure ou décès.
- Débranchez le barbecue et sa vanne d'arrêt individuelle du système de tuyauterie de gaz lors de tout test de pression supérieur à ½ psi (3,5 kPa).

Raccordement et installation

- Vérifiez la bouteille pour détecter les bosses ou la rouille, et faites-la inspecter par votre fournisseur de propane.
- N'utilisez jamais une bouteille dont le robinet est endommagé.
- Placez la bouteille dans l'emplacement prévu à cet effet sur l'étagère inférieure.
- Assurez-vous que le tuyau du régulateur de gaz est droit et exempt de plis ou de courbures, car ceux-ci peuvent restreindre le débit de gaz.
- Retirez le capuchon ou le bouchon du robinet de la bouteille.
- Insérez le mamelon du régulateur QCC1 noir sur la vanne de carburant QCC1. Serrer à la main vers la droite. Ne pas utiliser d'outils.
- Assurez-vous que le tuyau n'entre pas en contact avec le bac d'égouttement ou toute surface à haute température du barbecue, car il pourrait fondre et provoquer un incendie.
- Vérifiez l'étanchéité de tous les raccords avant d'utiliser le barbecue. Voir « **Test d'étanchéité** ».
- Le cylindre doit être monté de façon à ce que la sortie de la soupape de décharge de pression ne soit pas orientée vers la position normale d'utilisation de l'utilisateur.



NOTE :

- Inspectez le joint de la valve de la bouteille de gaz LP pour détecter toute fissure, usure ou détérioration à chaque remplacement ou remplissage de la bouteille.
- Toute bouteille de gaz LP présentant des signes de dommage ou de détérioration, y compris des fissures ou des piqûres visibles, doit être retournée inutilisée au vendeur.

À une conduite de gaz domestique : Option 2

- Si le barbecue doit être raccordé directement à une conduite de gaz propane domestique, débranchez et jetez le tuyau et le détendeur fournis, puis suivez les instructions de raccordement à la conduite de gaz domestique. Un tuyau homologué est disponible chez votre revendeur de barbecues Napoleon.
 - Un tuyau d'alimentation en gaz et un raccord rapide conçus pour le gaz naturel et certifiés pour une utilisation en extérieur sont inclus avec les barbecues au gaz naturel.
 - La plomberie de gaz naturel doit fournir une pression de 7 pouces de colonne d'eau à l'entrée du barbecue. La plomberie de gaz propane doit fournir une pression de 11 pouces de colonne d'eau à l'entrée du barbecue.
 - La tuyauterie et les vannes en amont du raccord rapide ne sont pas fournies.
 - Le tuyau de gaz doit être dimensionné pour fournir le nombre de BTU/h indiqué sur la plaque signalétique, en fonction de la longueur de la tuyauterie.
 - Voir « **AVERTISSEMENT! Informations générales** » de ce manuel pour les codes d'installation.
1. Le raccordement à une conduite de gaz doit être effectué par un installateur agréé et testé pour les fuites avant d'utiliser le barbecue.
 2. Ne pas faire passer le tuyau à proximité du bac d'égouttement ou au-dessus du panneau arrière.
 3. Assurez-vous que le tuyau n'entre pas en contact avec des surfaces à haute température.

Raccord rapide

- Ne pas installer le raccord rapide vers le haut.
- Une vanne d'arrêt manuelle facilement accessible doit être installée en amont du raccord rapide, et aussi près que possible de celui-ci.
- Raccordez l'extrémité évasée du tuyau au raccord à l'extrémité du tube collecteur ou du tube flexible (le cas échéant).
- Serrer à l'aide de deux clés. Ne pas utiliser de pâte à joint ou de produit d'étanchéité pour filetage.
- Vérifiez l'étanchéité de tous les raccords avant d'utiliser le barbecue à gaz. Voir « **Test d'étanchéité** ».



AVERTISSEMENT!

- Fermez la vanne d'arrêt individuelle pour isoler le barbecue du système de tuyauterie de gaz lors de tout test de pression égal ou inférieur à ½ psi (3,5 kPa).
- Vérifiez que le tuyau ne présente pas de signes d'abrasion

excessive, de fonte, de coupures ou de fissures. Si le tuyau est endommagé, il doit être remplacé par un ensemble spécifiquement recommandé par NAPOLEON.



ATTENTION!

Le couvercle du barbecue et toute la chambre de combustion peuvent devenir très chauds pendant l'utilisation.

Test d'étanchéité

Pourquoi et quand effectuer un test d'étanchéité ?

Un test d'étanchéité confirme qu'il n'y a pas de fuite de gaz après avoir raccordé le tuyau à l'alimentation en gaz.

Chaque fois que la bouteille est remplie et réinstallée, assurez-vous qu'il n'y a pas de fuite au niveau du raccord où le détendeur se connecte à la bouteille.

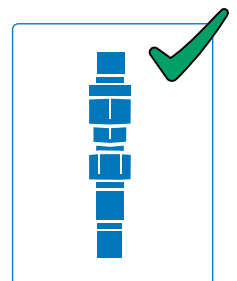
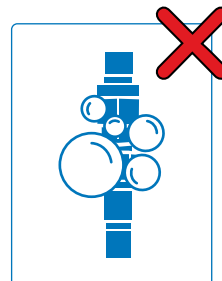
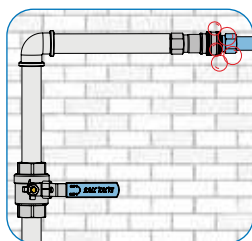
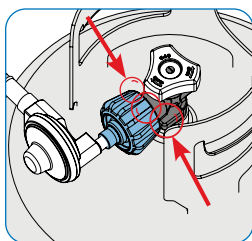
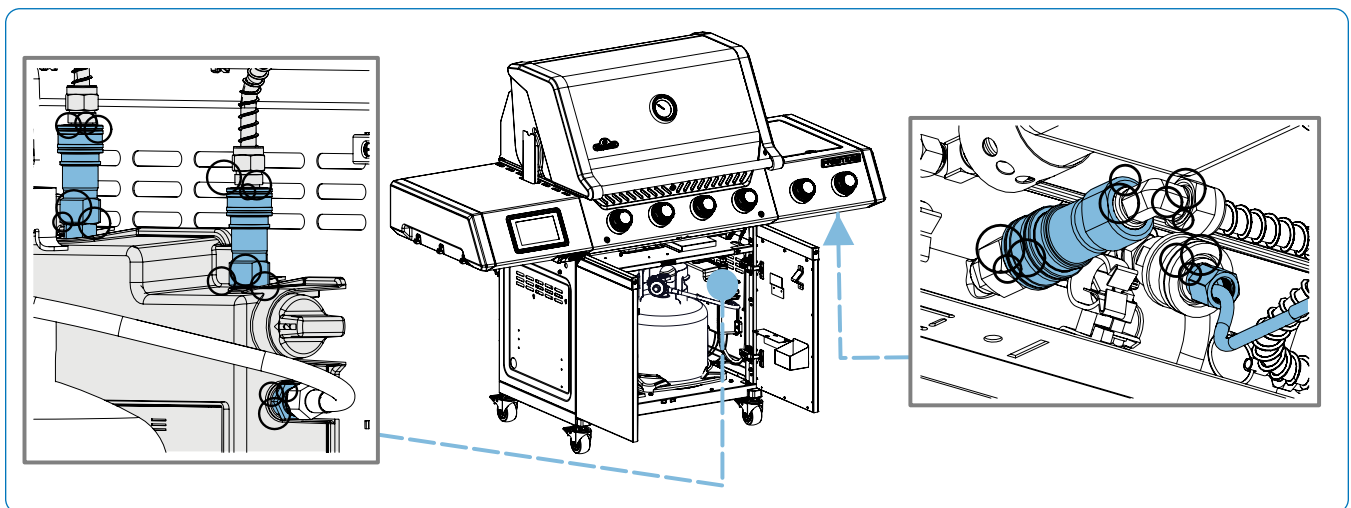
Testez l'étanchéité de ce barbecue avant utilisation, chaque année et lors du remplacement de tout composant de gaz.

Étapes du test d'étanchéité

1. Ne fumez pas pendant le test.
2. Éliminez toutes les sources d'allumage.
3. Mettez tous les boutons de commande des brûleurs en position ARRÊT.
4. Ouvrez la vanne d'alimentation en gaz.
5. Appliquez au pinceau une solution moitié-moitié de savon liquide et d'eau sur tous les joints et raccords du régulateur, du tuyau, des collecteurs et des vannes.
6. La formation de bulles indique une fuite de gaz.

Si vous trouvez une fuite

1. Serrez tous les joints desserrés.
2. Si la fuite ne peut pas être arrêtée, fermez immédiatement l'alimentation en gaz et débranchez le barbecue.
3. Faites inspecter le barbecue par un installateur certifié ou un revendeur.
4. N'utilisez pas le barbecue tant que la fuite n'a pas été réparée.



DANGER!

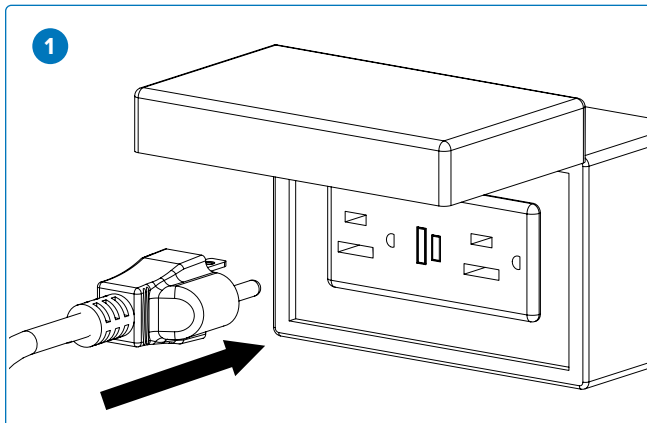
- Ne jamais utiliser une flamme nue pour vérifier la présence de fuites de gaz. Les étincelles ou les flammes peuvent provoquer

un incendie, une explosion, des dégâts matériels, des blessures physiques graves ou la mort.

- N'utilisez que le détendeur et le tuyau fournis avec le barbecue, ou un ensemble conforme aux codes locaux.

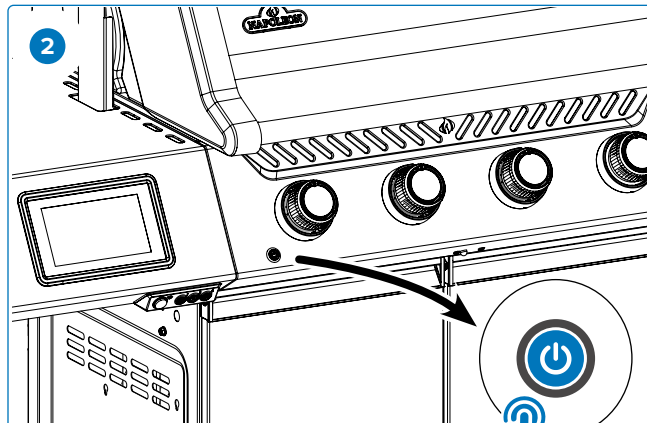
Instructions de démarrage rapide

1



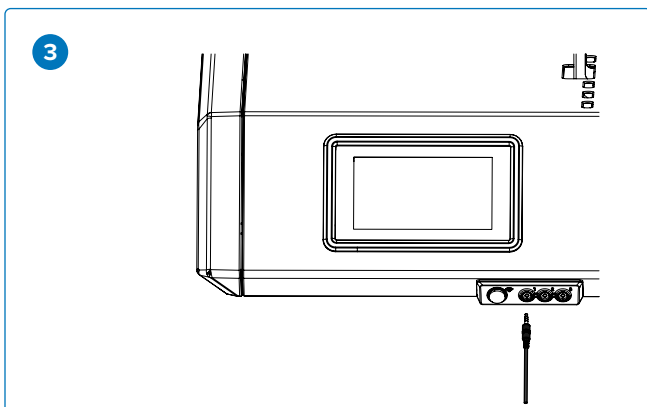
Branchez directement dans une prise GFI (disjoncteur différentiel) mise à la terre. Consultez un électricien en cas de doute.

2



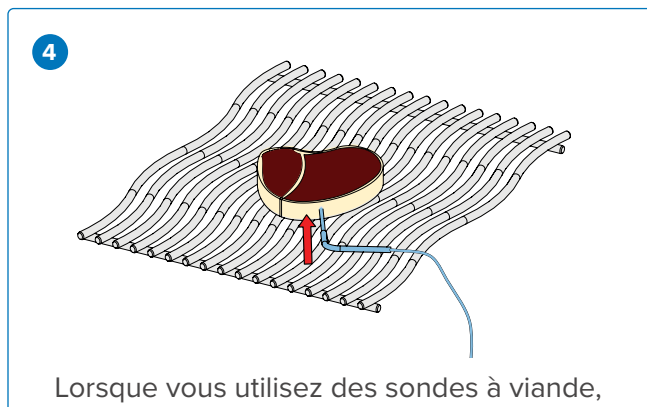
Appuyez sur le bouton d'alimentation pour activer l'appareil.

3



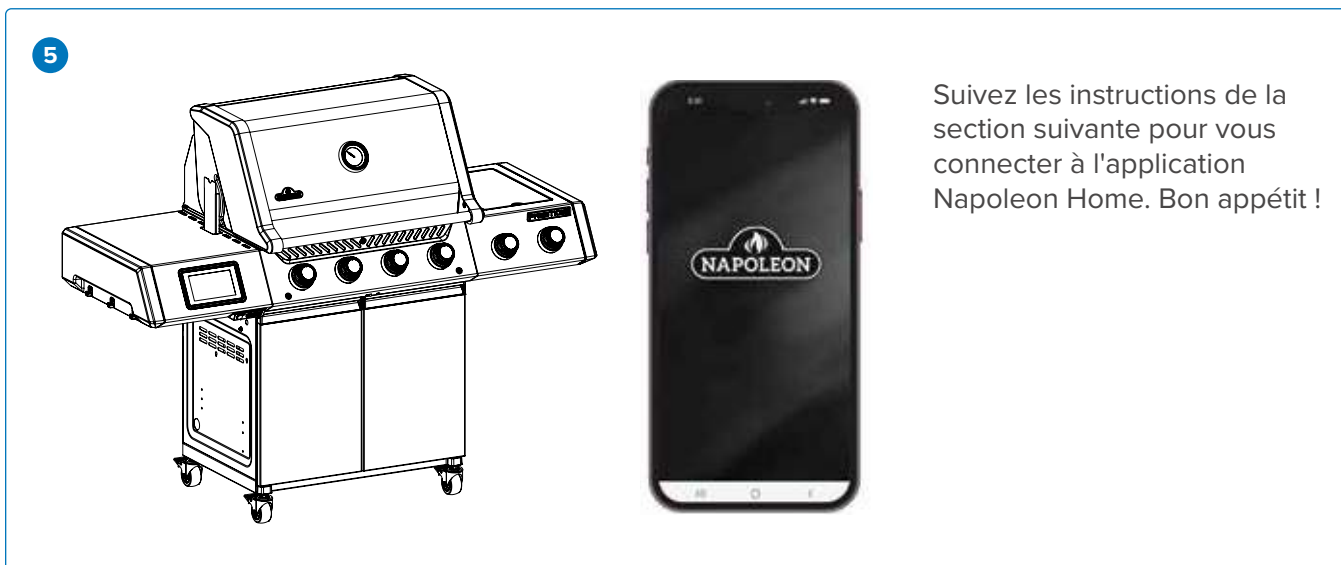
Retirez le plastique de protection et branchez une ou plusieurs sondes dans votre appareil.

4



Lorsque vous utilisez des sondes à viande, assurez-vous que la pointe de la sonde est insérée dans la partie la plus épaisse de l'aliment, en évitant les os ou la graisse.

5



Suivez les instructions de la section suivante pour vous connecter à l'application Napoleon Home. Bon appétit !

Connectivité Napoleon

NAPOLEON HOME APP

COMMENT ÇA FONCTIONNE?



Accédez à votre appareil à distance en téléchargeant l'**application Napoleon Home** depuis l'App Store ou Google Play.

Pour accéder à l'application, vous devrez créer un compte en suivant les instructions indiquées dans l'application (voir ci-dessous pour plus de détails).

En associant votre appareil à l'**application Napoleon Home** via Wi-Fi, vous accédez à tous les modes et fonctions de l'appareil.

Toutes les notifications et alarmes sont envoyées via l'application pour vous garder facilement connecté.



Scannez ce code QR pour accéder directement au site web de l'**application Napoleon Home**.



COMMENÇONS

1 S'inscrire



Créez un compte sur l'**application Napoleon Home** OU connectez-vous en utilisant vos identifiants Facebook, Google ou Apple.

2 Créer



Saisissez les informations utilisateur et créez un mot de passe pour le compte. Sélectionnez le pays dans lequel l'appareil est situé.

3 Vous y êtes presque



Les informations saisies à l'étape 3 seront enregistrées dans l'**application Napoleon Home** et une confirmation sera envoyée à l'adresse e-mail fournie.

4 Confirmer

Ouvrez votre boîte de réception et cliquez sur le lien de confirmation.

Note: Le lien de confirmation doit être ouvert sur l'appareil où l'application Napoleon Home est installée.



5 Re-confirmer



Si aucun e-mail n'est trouvé, cliquez sur « Renvoyer le lien de confirmation » et vérifiez le dossier des courriers indésirables.

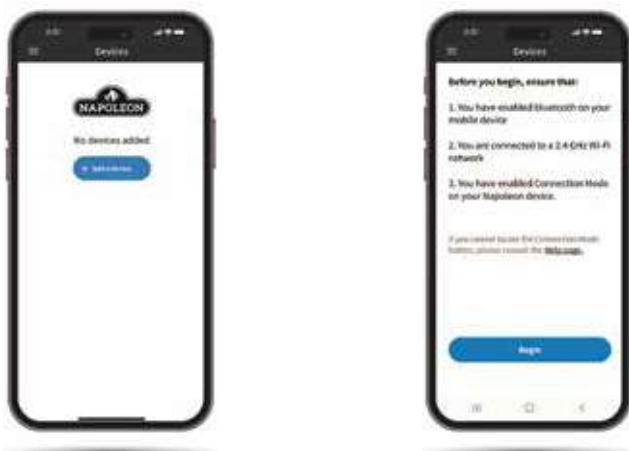
AJOUT D'UN APPAREIL

6 Allumer

Assurez-vous que votre appareil est allumé en appuyant brièvement sur le bouton d'alimentation du panneau de commande. Consultez le guide d'activation du mode d'appairage pour les étapes suivantes.



7 Ajouter un appareil



Sélectionnez « Ajouter un appareil » et acceptez les autorisations.

8 Rechercher



Recherchez les appareils et sélectionnez l'appareil dans la liste.

9 Connexion réseau



Sélectionnez le réseau Wi-Fi et saisissez vos identifiants.

10 Ajouter un surnom



Entrez un nom personnalisé pour votre appareil, ou continuez avec le nom par défaut proposé.

11 Succès!



Guide d'activation du mode d'appairage

Pour activer le mode d'appairage sur le gril, suivez l'une des deux options ci-dessous. Le mode d'appairage vous permet de configurer le gril en utilisant une application mobile pour le connecter au cloud/à l'application. Le bouton du panneau de commande clignotera en blanc lorsque le mode d'appairage sera activé avec succès.

Option 1 : Réinitialiser le réseau via les paramètres Wi-Fi

Action :

Activez le mode d'appairage en réinitialisant le réseau dans les paramètres Wi-Fi.

Étapes à suivre :

1. Allumez l'écran d'affichage et attendez que le processus de démarrage soit terminé.
2. Réinitialisez le réseau à l'aide de l'icône Wi-Fi : Appuyez sur l'icône Wi-Fi sur l'écran d'affichage. Dans le menu Wi-Fi, sélectionnez **Réinitialiser le réseau**.

Résultat :

Le bouton du panneau de commande commencera à clignoter en blanc, indiquant que le système est en mode d'appairage. Vous pouvez maintenant configurer l'appareil à l'aide de l'application mobile pour terminer l'installation.

Option 2 : Activation par pression longue

Action :

Activez le mode d'appairage en maintenant le bouton d'alimentation du panneau de commande enfoncé.

Étapes à suivre :

1. Assurez-vous que l'écran d'affichage est actif.
2. Maintenez le bouton d'alimentation du panneau de commande enfoncé pendant **10 secondes**.

Résultat :

Le bouton du panneau de commande commencera à clignoter en blanc, indiquant que



NOTE :

- Choisissez l'une des options ci-dessus pour activer le mode d'appairage et connecter le système au cloud.

le système est en mode d'appairage. À ce stade, vous pouvez procéder à l'approvisionnement de l'appareil via l'application mobile.

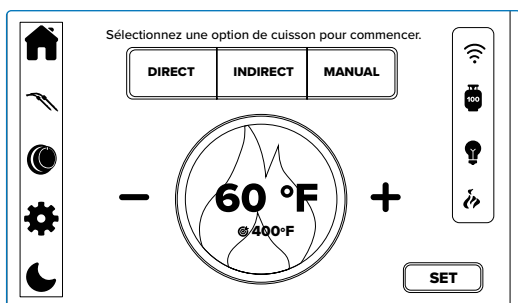
Aperçu et fonctionnement du système

Fonctionnalités de contrôle (si équipé)

Les fonctionnalités de contrôle modernes améliorent la cuisson de précision en automatisant la gestion de la chaleur, en optimisant l'efficacité énergétique et en garantissant des résultats constants. Ces fonctionnalités avancées vous permettent de personnaliser votre expérience en fonction de vos besoins culinaires. Que vous saissiez à haute température, maintenez une cuisson lente et douce, ou utilisez des pré-réglages pour différents aliments, ces commandes avancées apportent commodité et précision à votre cuisine en plein air.

Votre barbecue Prestige® PRO Series est équipé d'un système de contrôle de pointe compatible Wi-Fi et intégré à l'écosystème de l'application Napoleon Home.

Avant de commencer à utiliser le barbecue, familiarisez-vous avec les différentes fonctionnalités de l'affichage.



Pour votre sécurité, les fonctions de cuisson ne peuvent pas être démarrées à distance. Vous devez être physiquement présent devant le barbecue pour activer un brûleur ou un mode de cuisson. Cela garantit une supervision adéquate lors de l'allumage et aide à prévenir toute activation accidentelle ou non surveillée de l'appareil.

Initialisation

Branchez le barbecue sur une prise électrique extérieure correctement mise à la terre pour utiliser les commandes numériques et les fonctionnalités électroniques périphériques.



Appuyez brièvement sur le bouton d'alimentation situé sur le côté gauche du panneau de commande pour lancer la séquence de démarrage.

Modes automatiques

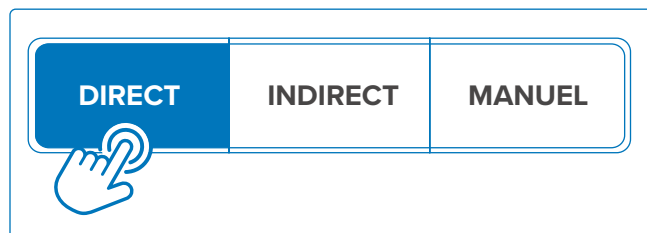
Mode direct

Saisie à haute température pour les aliments à cuisson rapide.

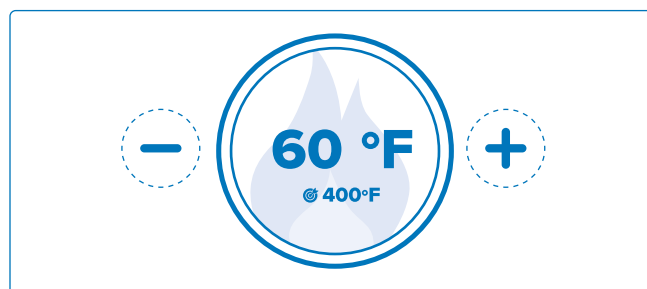
Placez les aliments directement au-dessus de la chaleur sur les grilles de cuisson pour une saisie parfaite, en retenant les jus et la saveur. Idéal pour les hamburgers, steaks, poulet et légumes. Pour les morceaux plus épais, saisissez d'abord, puis baissez la température du barbecue ou passez en mode indirect pour terminer la cuisson selon la cuisson désirée.

Tous les brûleurs principaux s'ajustent automatiquement pour maintenir la température définie entre 320°F et 580°F (160°C – 290°C), assurant un contrôle constant de la chaleur pendant toute la cuisson.

1. Sélectionnez l'option de cuisson **DIRECT** sur l'affichage.



2. Utilisez les icônes +/- sur l'affichage pour sélectionner votre température.



3. Appuyez sur Valider.



4. Attendez que l'affichage indique que les brûleurs sont prêts à être allumés. Tous les boutons de commande des brûleurs principaux commenceront à clignoter en blanc, indiquant que tous les brûleurs principaux doivent être allumés manuellement.



5. Suivez les instructions de la section « **Allumer votre barbecue** » pour allumer tous les brûleurs principaux. Réglez tous les boutons de commande précisément sur leur position la plus élevée.



IMPORTANT!

- Si un brûleur est réglé sur autre chose que sa position maximale, le système reviendra en mode manuel.

6. Placez vos aliments une fois que le barbecue est préchauffé à votre convenance, puis fermez le couvercle.

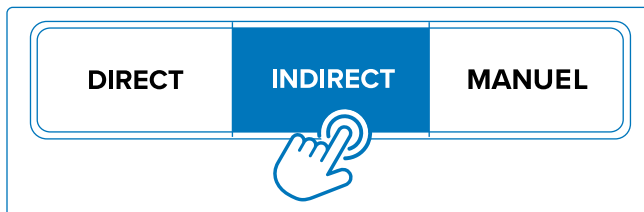
Mode indirect

Cuisson lente et homogène à basse température avec chaleur circulante.

Ce mode est idéal pour les grosses pièces de viande ou les aliments sujets aux flambées, comme les rôtis, les poulets entiers et les dindes. La température plus basse et le temps de cuisson prolongé permettent d'obtenir des résultats tendres et savoureux.

Certains brûleurs principaux s'ajustent automatiquement pour maintenir une plage de température cible de 220°F à 380°F (110°C – 190°C) pour un contrôle constant de la chaleur.

1. Sélectionnez l'option de cuisson **INDIRECT** sur l'affichage.



Les voyants de certains boutons de commande des brûleurs principaux commenceront à clignoter en blanc, indiquant quels brûleurs principaux doivent être allumés manuellement.



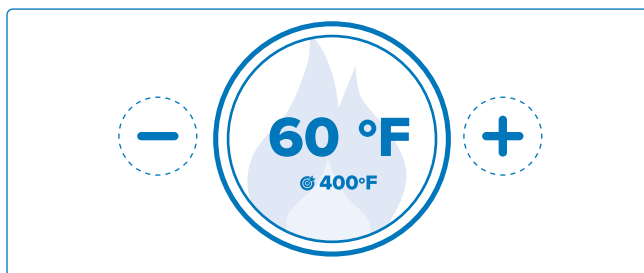
2. Suivez les instructions de la section « **Allumer votre barbecue** » pour allumer les brûleurs principaux indiqués. Réglez tous les boutons de commande précisément sur leur position la plus élevée.



IMPORTANT!

- Si un brûleur est réglé sur autre chose que sa position maximale, le système reviendra en mode manuel.

3. Utilisez les icônes +/- sur l'affichage pour sélectionner votre température.



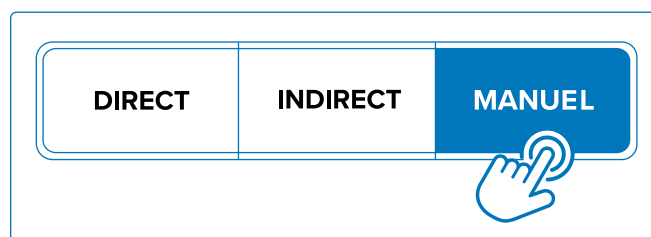
4. Placez vos aliments sur une zone sans brûleur allumé en dessous. Fermez le couvercle.
5. Si vous le souhaitez, effectuez une saisie à haute température à la fin de votre cuisson indirecte en passant en mode direct. Vous pouvez également utiliser le brûleur latéral infrarouge.

Mode manuel

Gardez un contrôle total sur chaque brûleur.

Utilisez les boutons de commande pour régler indépendamment les niveaux de chaleur, en les positionnant selon vos besoins culinaires. Ce mode est parfait pour des grillades personnalisées et la gestion de plusieurs zones de chaleur pour différents aliments. Le mode manuel offre une flexibilité maximale, vous permettant d'ajuster précisément votre expérience de grillade sans automatisation de la température prédéfinie, tout en accédant aux fonctions auxiliaires intelligentes et autres fonctionnalités alimentées.

1. Sélectionnez l'option de cuisson **MANUEL** sur l'affichage.



2. Le voyant du bouton de commande du brûleur principal le plus à gauche commencera à clignoter en blanc, indiquant qu'il doit être allumé manuellement.



IMPORTANT!

- Ce brûleur doit rester allumé pendant toute l'utilisation du mode manuel, sinon le système s'éteindra.



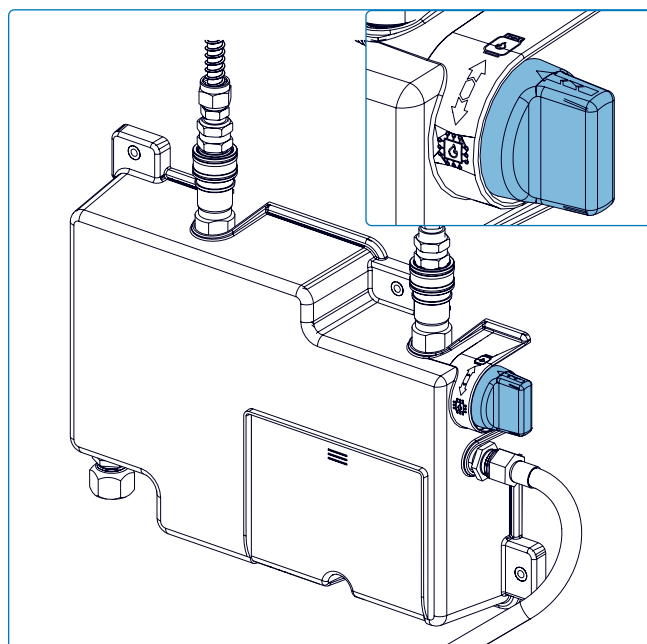
3. Suivez les instructions de la section « **Allumage de votre barbecue** » pour allumer le brûleur principal indiqué.
4. Suivez la même procédure pour allumer les autres brûleurs principaux selon vos besoins. Modifiez les réglages des boutons de commande pour obtenir vos zones de chaleur préférées.

Mode traditionnel

Une expérience de grillade simplifiée sans assistance électronique.

Le barbecue peut fonctionner comme un gril à gaz traditionnel entièrement manuel, sans commandes de gaz numériques. Bien que des fonctions telles que les réglages automatiques soient désactivées, les fonctions principales de grillade restent entièrement opérationnelles. Vous assurant ainsi de pouvoir cuisiner en toute confiance, même en cas de panne de courant. Les fonctionnalités électroniques périphériques peuvent toujours être utilisées en mode bypass tant que l'appareil est alimenté.

1. Pour activer la vanne bypass des brûleurs principaux, localisez le module de commande (installé à l'intérieur du chariot du barbecue), puis appuyez et tournez le bouton sur la position ON.



2. Suivez les instructions de la section « **Allumage de votre barbecue** » pour allumer les brûleurs souhaités.

Fumoir

Améliorez votre expérience de grillade avec une saveur riche de bois fumé grâce au système de fumoir intégré*. Lorsque le mode fumée est sélectionné, le boîtier du fumoir s'active automatiquement et diffuse la fumée aromatique dans la chambre de cuisson principale pour des résultats authentiques de style barbecue. Cette fonctionnalité apporte de la profondeur aux viandes, légumes et plus encore. Parfait pour les cuissons lentes et à basse température..

Le fumoir doit être démarré et émettre de la fumée avant d'allumer les brûleurs. Les meilleures performances sont obtenues avec 1 à 2 brûleurs réglés sur faible. L'indicateur sur le couvercle doit toujours être dans la section fumée.

Allumage

1. Remplissez le boîtier du fumoir – Ajoutez des copeaux de bois, ou un mélange de copeaux, de morceaux ou de granulés, jusqu'à ce que le boîtier soit presque plein. N'utilisez pas de charbon de bois. Voir le dépliant « **Configuration de votre fumoir** ». pour plus de détails.

2. Sélectionnez l'icône Fumée sur l'écran d'affichage. Suivez les instructions à l'écran pour allumer le feu.



Après la séquence d'allumage, l'élément d'allumage des copeaux de bois s'éteindra et le ventilateur soufflant produira de la fumée en continu jusqu'à épuisement de l'approvisionnement en copeaux de bois ou jusqu'à ce qu'une heure se soit écoulée sans qu'aucune séquence de réallumage n'ait été déclenchée.

Une fois l'allumage lancé, le ventilateur ne peut pas être éteint. Il s'agit d'une fonction de sécurité importante conçue pour éviter toute combustion incontrôlée à l'intérieur du fumoir. Le ventilateur du fumoir s'éteindra automatiquement après la fin du cycle de refroidissement (environ 2 heures), ou après 3 heures d'inactivité.

Ré-allumage

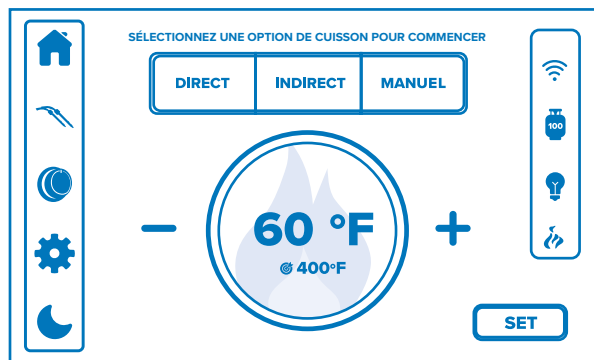
L'option de ré-allumage n'est disponible que 15 minutes après la fin de la séquence d'allumage. Lorsque l'approvisionnement en copeaux de bois est épuisé, mais que vous souhaitez prolonger la session :

1. Ouvrez la porte du fumoir pour accéder au bac à copeaux de bois. L'accès à la porte du fumoir est équipé d'un interrupteur de sécurité pour empêcher le fonctionnement de l'élément chauffant lorsque la porte est ouverte.
2. Déverrouillez l'outil et engagez-le avec la face avant du plateau à copeaux de bois. Déverrouillez l'outil et faites glisser délicatement le plateau à copeaux de bois pour le remplir facilement sans le retirer de l'appareil. Voir la section « **Aperçu de l'outil** » .
3. Utilisez des pinces métalliques pour redistribuer les copeaux de bois usagés, en les déplaçant vers l'avant et l'arrière du bac. Dégager un espace sur la grille métallique facilitera le ré-allumage des nouveaux copeaux de bois. Ne retirez pas de copeaux chauds de la chambre. Voir le dépliant « **Configuration de votre fumoir** ».
4. Ajoutez une nouvelle couche de copeaux de bois, en veillant à un bon contact avec la source de chaleur pour un allumage plus rapide et une fumée régulière.
5. Utilisez l'outil pour réinstaller le bac à copeaux de bois. Fermez et verrouillez la porte du fumoir.
6. Maintenez le bouton-poussoir du fumoir enfoncé pendant 2 secondes. Le bouton clignotera en rouge pour indiquer que la phase de ré-allumage est en cours (~4 minutes).

**NOTE :**

- L'utilisateur doit attendre 15 minutes avant que l'option de ré-allumage ne soit à nouveau disponible. Ce minuteur de 15 minutes est en place pour éviter les cycles thermiques excessifs du fumoir.
 - L'allumage et le ré-allumage peuvent être annulés à tout moment en sélectionnant cette option sur l'écran, ou en maintenant le bouton-poussoir enfoncé pendant 5 secondes (selon votre modèle).
7. Pour effectuer l'arrêt complet du fumoir, vous devez le laisser inactif (sans ré-allumage) pendant 1 heure afin de lancer le processus d'arrêt complet (3 heures au total). Durant les 2 dernières heures, le ventilateur restera en fonctionnement pour éviter le refoulement de fumée.
 8. Une fois que le fumoir a complètement refroidi, videz le bac à copeaux de bois et jetez les restes de copeaux dans un récipient ignifuge muni d'un couvercle hermétique.

Fonctions de contrôle supplémentaires



Arrêt automatique du gaz

Le barbecue arrête automatiquement le gaz lorsque la température dépasse 850 °F (454 °C), ce qui empêche les incendies causés par les graisses. Lorsque ce dispositif se déclenche, tous les brûleurs s'arrêtent, des voyants rouges clignotent et une notification s'affiche à l'écran et dans l'application Napoleon Home.



NOTE :

- La fonction d'arrêt est désactivée lorsque le système est en mode bypass.
- La couleur rouge de sécurité a été supprimée de toutes les sélections de couleurs et animations afin d'éviter toute confusion avec un brûleur allumé.
- L'arrêt programmé ne se produit qu'après la fin de la cuisson ou du fumage, suivi d'un rappel de nettoyage et d'un arrêt standard.

Verrouillage/Déverrouillage de l'écran

Pour des raisons de sécurité et afin d'éviter toute modification accidentelle, l'écran peut se verrouiller automatiquement. Pour verrouiller ou déverrouiller l'écran, appuyez pendant 3 secondes sur l'icône en forme de lune affichée à l'écran. L'écran ne répondra alors plus à aucune autre commande.



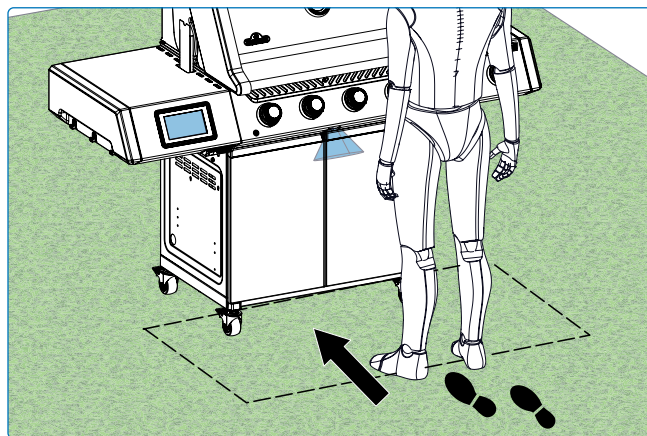
IMPORTANT!

- Le verrouillage de l'écran ne coupe pas l'alimentation en gaz et ne verrouille pas les boutons.

Les gouttes d'eau peuvent affecter la sensibilité tactile. Il est recommandé de verrouiller l'écran si vous utilisez le barbecue sous la pluie.

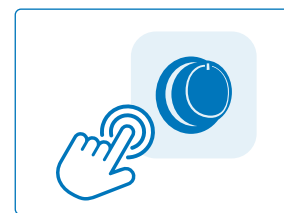
Détection de proximité

Un capteur de proximité intégré détecte les mouvements à proximité et active automatiquement l'écran. Cette fonctionnalité mains libres garantit que l'écran n'est actif que lorsque cela est nécessaire, économisant ainsi l'énergie tout en offrant un accès instantané aux commandes et aux informations du barbecue à votre approche. Utilisez l'icône en forme d'engrenage sur l'écran d'affichage pour régler la durée d'activation de l'affichage, de 15 à 60 minutes (par paliers de 5 minutes).



Éclairage et animations

Des animations lumineuses dynamiques des boutons de commande ajoutent du style et de la personnalité à votre expérience de grillade. Sélectionnez l'icône du bouton de commande sur l'écran pour choisir parmi une variété d'effets dynamiques. Ajustez la luminosité à l'aide du curseur.



Activez les lumières de rangement via le menu d'éclairage. Sélectionnez ON pour activer les lumières de rangement blanches. Sélectionnez OFF pour faire correspondre la couleur actuelle des lumières des boutons de commande. Sélectionnez la luminosité minimale pour éteindre complètement les lumières. Activez ou désactivez les lumières de l'armoire et du capot pour assurer une visibilité optimale.

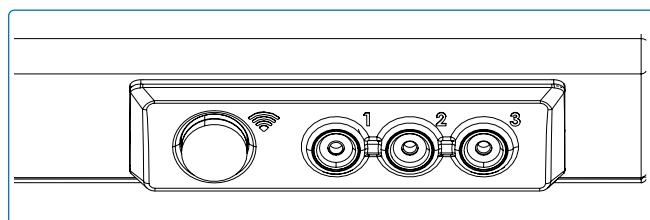
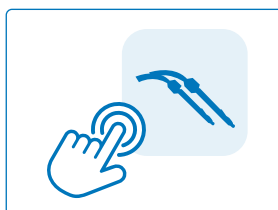
Boutons de commande réactifs

Lorsque vous réglez un brûleur, la partie intérieure de son bouton de commande affiche un dégradé de couleurs fluide, indiquant visuellement le réglage actuel du brûleur. Ce retour intuitif permet de contrôler facilement l'intensité de la flamme d'un seul coup d'œil, même dans des conditions de faible luminosité. Pour plus de sécurité, l'éclairage périphérique est doté de la technologie SafetyGlow™, qui s'allume en rouge dès qu'un brûleur est allumé afin de fournir un repère visuel instantané.



Sondes de température des aliments

Connectez jusqu'à deux sondes sans fil (disponible séparément) et jusqu'à trois sondes filaires pour un contrôle précis et flexible de la température. Après avoir installé les sondes, touchez l'icône de sonde sur l'écran pour sélectionner le type d'aliment à cuire et définir la température cible souhaitée. Dès qu'une sonde atteint la température définie, une alerte sonore retentira et une notification sera envoyée via l'application Napoleon Home.



NOTE:

Le couplage des sondes sans fil s'effectue à l'aide des invites à l'écran. Suivez les instructions affichées pour connecter facilement vos sondes.

Balance de réservoir

Restez informé grâce à la balance intégrée, conçue pour afficher avec précision la quantité de propane restante dans votre réservoir. Grâce à des capteurs de poids précis, le système vous donne un aperçu en temps réel des niveaux de carburant en indiquant le pourcentage de remplissage actuel. Pour garantir la précision des mesures, saisissez le poids à vide et à plein de votre réservoir à l'aide de l'application Napoleon Home lors de la configuration initiale. Pour plus de commodité, l'application propose également une fonction de sélection régionale des réservoirs, qui vous permet de choisir rapidement parmi une liste de types de réservoirs courants pour une configuration facile.



Allumage de votre grill

C'est la toute première fois? Effectuer une combustion à vide

Retirez la grille de maintien au chaud et faites fonctionner les brûleurs principaux à puissance maximale pendant 30 minutes. Il est normal que le barbecue dégage une odeur lors de la première utilisation. Cette odeur est causée par le « brûlage » des peintures internes et des lubrifiants utilisés lors du processus de fabrication et ne se reproduira plus.



AVERTISSEMENT!

- N'utilisez pas le brûleur arrière ou latéral pendant l'opération de brûlage.

Allumage du brûleur principal

1. Ouvrez le couvercle du barbecue.
2. Appuyez et tournez lentement n'importe quel bouton du brûleur principal dans le sens antihoraire jusqu'à la position HAUTE jusqu'à ce que la veilleuse s'allume. Continuez à appuyer sur le bouton de commande jusqu'à ce que le brûleur s'allume, puis relâchez (**Fig. 6A & Fig. 7**).
3. Si la veilleuse ne s'allume pas – tournez immédiatement le bouton de commande dans le sens horaire jusqu'à la position ARRÊT. Répétez l'étape 2.
4. Si la veilleuse et le brûleur ne s'allument pas en 5 secondes – tournez le bouton de commande dans le sens horaire jusqu'à la position ARRÊT. Attendez 5 minutes pour permettre au gaz de se dissiper. Répétez les étapes 2 et 3, ou allumez avec une allumette.

Allumage du brûleur arrière

1. Ouvrez le couvercle du barbecue.
2. Retirez la grille de réchauffement.
3. Appuyez et tournez lentement le bouton du brûleur arrière dans le sens antihoraire jusqu'à la position HAUTE.
4. Appuyez et maintenez le bouton d'allumage jusqu'à ce que le brûleur s'allume, ou allumez avec une allumette.

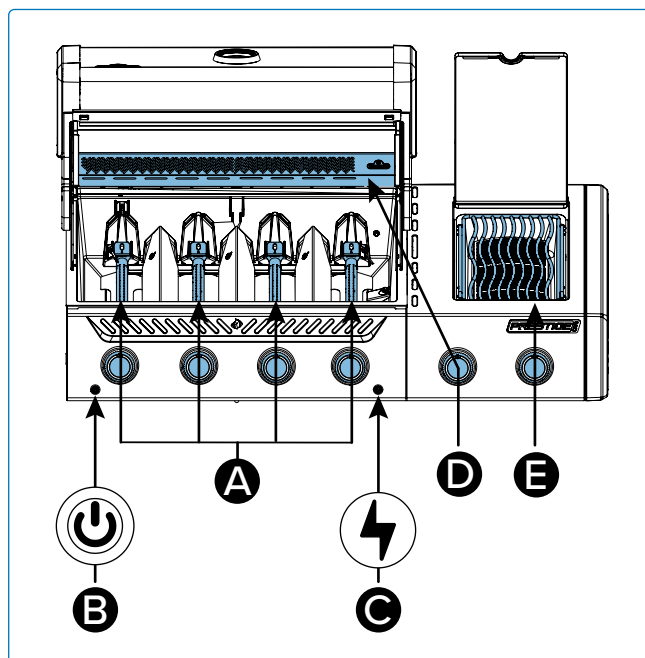


Fig. 6

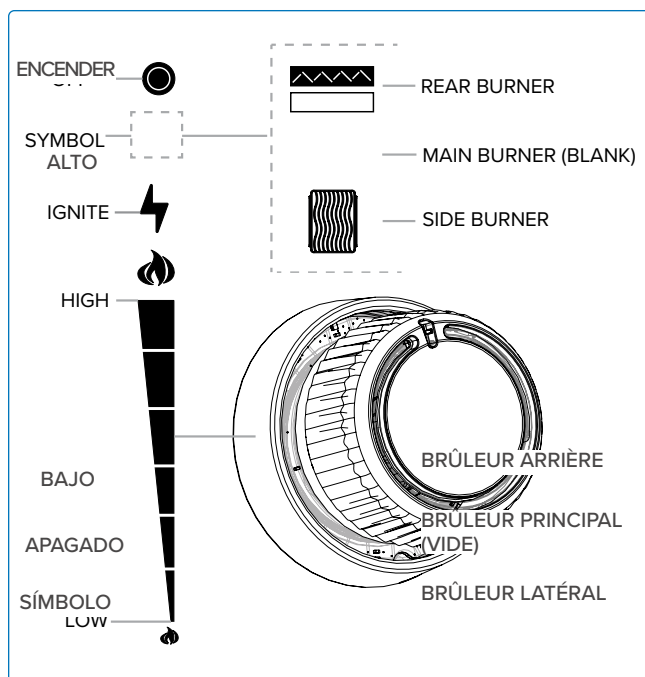


Fig. 7



AVERTISSEMENT!

- N'utilisez pas le brûleur arrière pendant l'utilisation du brûleur principal. Vous pouvez utiliser le brûleur infrarouge avec le brûleur principal ou le brûleur arrière.

- Si le brûleur ne s'allume pas – tournez le bouton de commande du brûleur dans le sens horaire jusqu'à la position ARRÊT. Attendez 5 minutes. Répétez les étapes 3 et 4 (**Fig. 6**).

Allumage du brûleur latéral

- Ouvrez le couvercle du brûleur.
- Appuyez et tournez lentement le bouton du brûleur latéral dans le sens antihoraire jusqu'à la position HAUTE.
- Appuyez et maintenez le bouton d'allumage jusqu'à ce que le brûleur s'allume, ou allumez avec une allumette.
- Si le brûleur ne s'allume pas dans les 5 secondes – tournez le bouton de commande du brûleur dans le sens horaire jusqu'à la position ARRÊT. Attendez 5 minutes. Répétez les étapes 2 et 3 (**Fig. 6E & Fig. 7**).

Instructions alternatives d'allumage

- Ouvrez le couvercle du gril.
- Allumez une longue allumette ou un briquet au butane et placez-le près des orifices du brûleur.
- Tournez le bouton du brûleur correspondant dans le sens antihoraire jusqu'à la position HAUTE jusqu'à ce qu'il s'allume (**Fig. 8**).

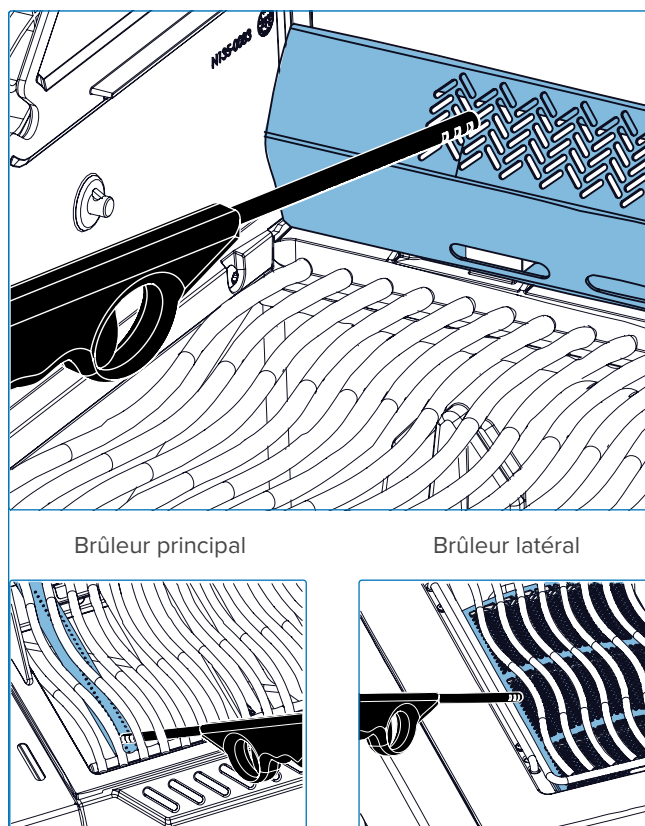
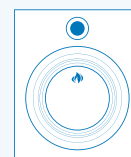


Fig. 8

AVERTISSEMENT!

- Assurez-vous que tous les brûleurs sont en position d'arrêt avant d'ouvrir lentement le robinet d'arrivée de gaz.
- Suivez attentivement les instructions d'allumage.
- Assurez-vous que le couvercle du gril est OUVERT lors de l'allumage.
- Ne réglez pas les grilles de cuisson lorsque le gril est chaud ou en fonctionnement.
- Nettoyez régulièrement la graisse de l'ensemble de l'appareil, y compris le bac à graisse et les plaques de saisie, pour éviter l'accumulation et les feux de graisse.



Surveillance des températures du grill

Tous les modèles sont équipés de deux indicateurs de température. Un indicateur monté sur le couvercle indique la température de l'air à l'intérieur de l'enceinte de cuisson et constitue la référence privilégiée pour la cuisson indirecte.

Un capteur monté à la base mesure la température au niveau des grilles de cuisson et constitue la référence privilégiée pour la cuisson directe. Bien qu'un flux d'air optimisé dans l'enceinte de cuisson maximise la rapidité de chauffe et l'uniformité de la température, plusieurs facteurs influencent les relevés de température, notamment:

Placement des aliments et des accessoires

- Les gros aliments ou accessoires de cuisson, tels que les plaques et planchas, peuvent emprisonner la chaleur au-dessus du capteur de température de la grille de cuisson. Cela peut entraîner des relevés de capteur élevés tout en réduisant les relevés de l'indicateur de température du couvercle, la chaleur étant dirigée ailleurs.

Brûleurs en fonctionnement

- Les relevés de température sont affectés par les réglages des brûleurs, ainsi que par la proximité du capteur monté à la base par rapport aux brûleurs du grill en fonctionnement.

Temps écoulé

- Les indicateurs de température ont des temps de réponse différents et peuvent initialement afficher des relevés variés à mesure que l'appareil chauffe. Cependant, des relevés similaires seront obtenus une fois que les températures internes se seront stabilisées.

Pour de meilleurs résultats, utilisez la fonction de capteur de température ainsi que l'indicateur de température du couvercle pour comparer

pleinement l'environnement de cuisson à votre plage cible. Laissez le temps aux températures de se stabiliser et ajustez les réglages des brûleurs en conséquence.

Utilisation - brûleur principal infrarouge (si équipé)

Suivez les « **Instructions d'allumage du brûleur principal** » et faites fonctionner à puissance maximale pendant 5 minutes avec le couvercle fermé ou jusqu'à ce que les brûleurs en céramique deviennent rouges.

Faites cuire les aliments directement sur la grille en suivant les instructions du « **Guide de cuisson infrarouge** ». Les aliments peuvent être saisis sur le brûleur infrarouge puis transférés sur les brûleurs principaux du barbecue pour terminer la cuisson à chaleur directe ou indirecte, selon vos goûts et préférences.

Utilisation du brûleur latéral infrarouge

Suivez les instructions « **Allumage du brûleur latéral** » et faites fonctionner à puissance maximale pendant 5 minutes ou jusqu'à ce que le brûleur en céramique devienne rouge.

Faites cuire les aliments directement sur la grille en suivant les instructions du « **Guide de cuisson infrarouge** ». Les aliments peuvent être saisis sur le brûleur infrarouge puis transférés sur les brûleurs principaux du barbecue pour terminer la cuisson à chaleur directe ou indirecte, selon vos goûts et préférences.

Ne fermez pas le couvercle du brûleur latéral lorsque le brûleur fonctionne ou est chaud.



DANGER !

- Nettoyez régulièrement la graisse de l'ensemble de l'appareil, y compris le bac à graisse et les plaques de saisie, pour éviter l'accumulation et les feux de graisse.
- Ne faites pas de friture sur le brûleur latéral. Cuisiner avec de l'huile peut être dangereux.
- Ne fermez pas le couvercle du brûleur latéral lorsque le brûleur infrarouge est en marche ou encore chaud. Cela pourrait causer des dommages ou présenter un risque pour la sécurité.

Pare-vent

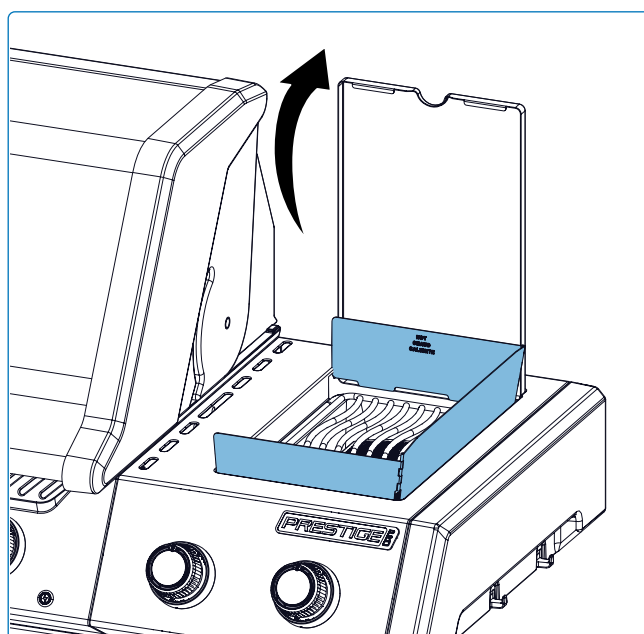
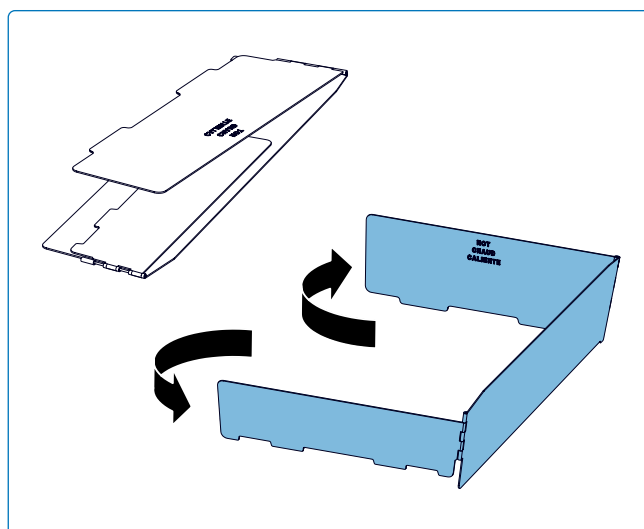
Assurez une cuisson régulière de votre barbecue même par vent jusqu'à 16 km/h (10 mi/h). Conçu pour s'attacher facilement à votre barbecue, ce pare-vent agit comme un bouclier contre les rafales de vent, aidant à maintenir une chaleur constante pour des cuissons homogènes.

Ajustez-le simplement pour l'adapter à votre gril, et vous êtes prêt à griller en toute confiance, quelle que soit la météo. La protection peut être repliée et rangée sous le couvercle du brûleur latéral pour un stockage facile lorsque le brûleur latéral n'est pas utilisé.



NOTE :

Le pare-vent doit être installé lors de l'utilisation du brûleur latéral. Cela améliore la sécurité et réduit les temps de cuisson.



CONSEIL DE PRO!

Placez le barbecue perpendiculairement à la direction du vent pour minimiser ses effets.

Comment utiliser la rôtissoire

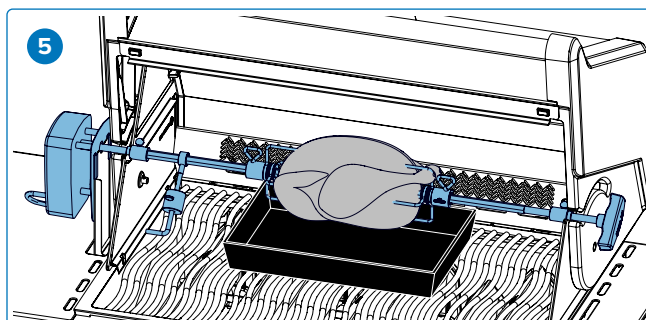
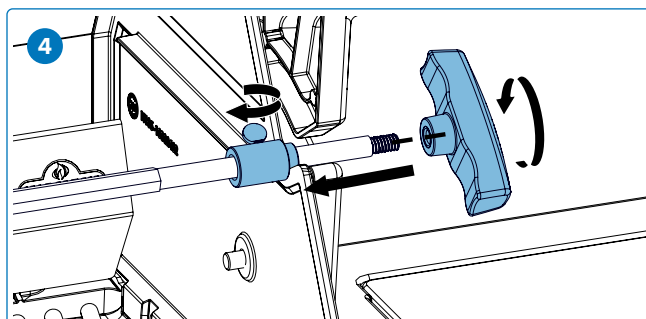
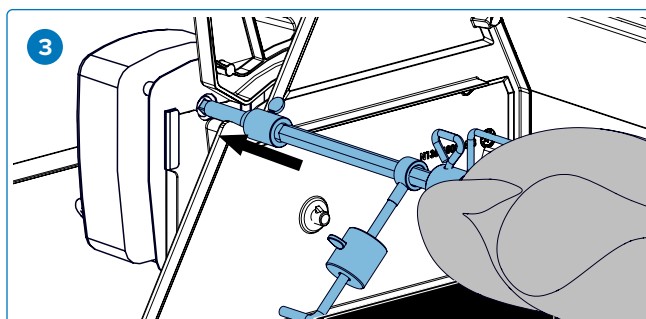
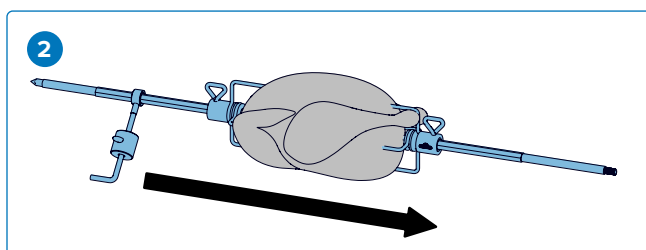
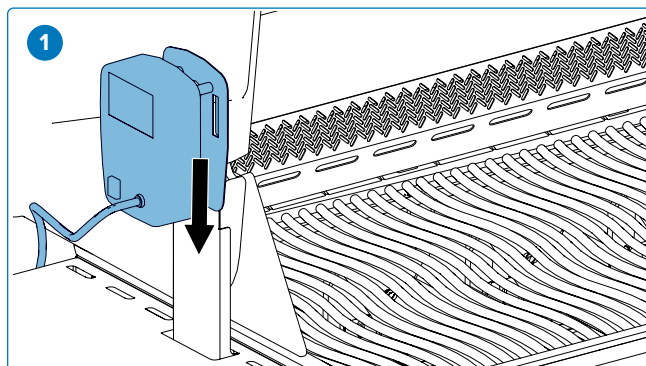
Assemblage de votre kit rôtissoire



NOTE :

- Pour le cycle de brûlage initial, retirez complètement la grille de réchauffage. Lorsque vous utilisez la rôtissoire, la grille de réchauffage peut être rangée dans la position supérieure afin de laisser de la place pour la broche.
- Ne retirez la grille que si vous avez besoin d'espace supplémentaire.
- Installez le moteur de la rôtissoire sur le côté du gril à l'aide du ou des supports de montage. Certains modèles sont équipés de supports préinstallés.

1. Une fois le support fixé au barbecue, faites glisser le moteur de la rôtissoire sur le support.
2. Faites glisser la première fourchette de la rôtissoire juste après le milieu de la broche et serrez-la en place. Enfilez la viande sur la broche et poussez-la dans la fourchette. Faites glisser la deuxième fourchette de la rôtissoire à l'autre extrémité de la broche et poussez la fourchette dans la viande jusqu'à ce qu'elle soit bien fixée. Serrez la fourchette en place.
3. Fixez le contrepoids à la broche, à l'opposé du côté le plus lourd de la viande. Ajustez jusqu'à ce que la charge soit équilibrée, puis serrez fermement.
4. Insérez soigneusement l'extrémité pointue de la broche dans le moteur de la rôtissoire et placez l'autre extrémité sur les supports. Le côté le plus lourd de la viande pendra naturellement vers le bas pour équilibrer la charge.
5. Faites glisser la bague d'arrêt sur la broche jusqu'à ce qu'elle dépasse l'intérieur du couvercle. Cela empêchera le mouvement latéral de la broche.
6. Serrez la bague d'arrêt et la poignée de la broche. Placez un plat en métal sous la viande pour recueillir les jus de cuisson.



IMPORTANT !

- Portez toujours des gants de protection lors de la manipulation des composants du gril.

Conseils pour l'utilisation de la rôtissoire :

- Faites fonctionner le brûleur arrière à puissance maximale jusqu'à ce que la viande soit dorée. Réduisez la chaleur. Gardez le couvercle fermé.
- Utilisez un thermomètre pour vérifier la température interne de la viande.
- Les rôtis et la volaille doivent dorer à l'extérieur et rester tendres à l'intérieur.
- Utilisez les jus de cuisson pour arroser et préparer la sauce.
- Un poulet de 1,5 kg prend environ 1 heure et demie à feu moyen à fort.
- Respectez la capacité du moteur de votre rôtissoire (7 kg). Ne surchargez jamais votre équipement.
- Veillez toujours à équilibrer la charge sur votre rôtissoire.

Comment cuire plusieurs poulets

Attachez ou embrochez les ailes sur le corps des poulets.

1. Faites glisser la fourchette de la rôtissoire sur la broche.
2. Enfilez le premier poulet sur la broche jusqu'à ce qu'il soit maintenu en place par la fourchette de la rôtissoire. Serrez.
3. Enfilez les 2 poulets suivants sur la broche afin que tous les poulets soient rapprochés.
4. Faites glisser la deuxième fourchette de la rôtissoire sur la broche et poussez-la dans le poulet jusqu'à ce que les 3 poulets soient bien serrés ensemble. Serrez.

Stockage

- Rangez les sondes sur l'étagère latérale avant la cuisson et rentrez-les après usage pour les protéger des intempéries (**Fig. 9**).
- Rangez les composants de la rôtissoire sur les crochets prévus à cet effet à l'intérieur du meuble du chariot et la broche à l'arrière du gril lorsqu'ils ne sont pas utilisés. Cela les protège, les garde accessibles et évite la corrosion s'ils sont propres et secs (**Fig. 10 & 11**).

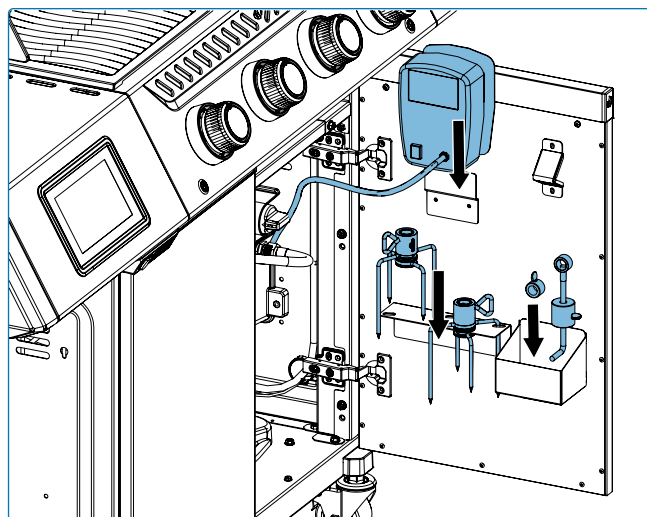


Fig. 9

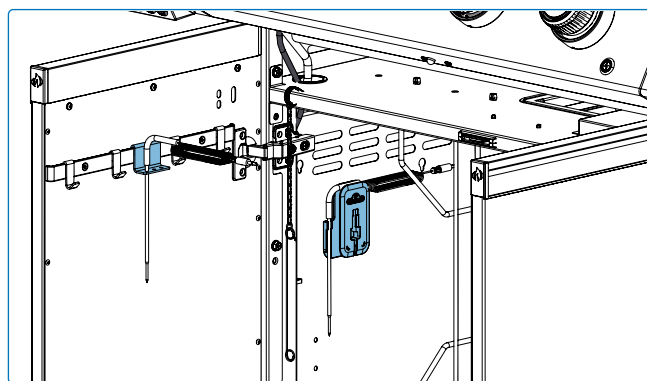


Fig. 10

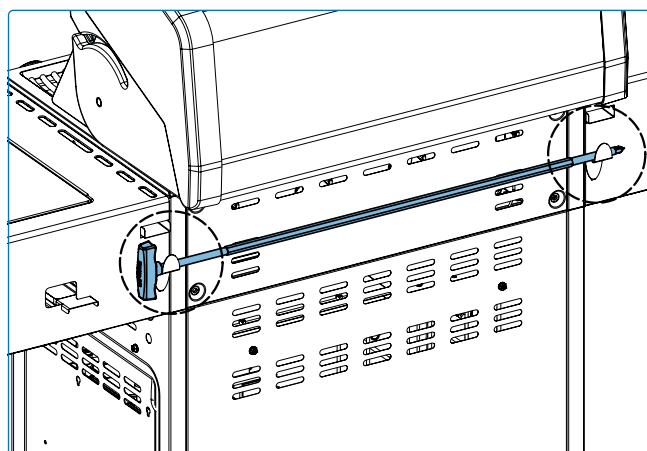


Fig. 11

Liste de contrôle pour une expérience de grillade réussie

Consultez cette liste chaque fois que vous faites un barbecue

Lire le manuel d'utilisation

Assurez-vous d'avoir lu le manuel d'utilisation et toutes les consignes de sécurité.

Nettoyer le bac à graisse

Assurez-vous toujours de nettoyer le bac à graisse avant de griller afin d'éviter les incendies et les flambées.

Vérifier le tuyau

Assurez-vous que le gril est éteint et refroidi. Vérifiez que le tuyau ne présente pas d'abrasions ou de coupures excessives. Si le tuyau est endommagé, faites-le remplacer avant de l'utiliser.

Nettoyez les grilles et préchauffez

Utilisez un grattoir en bois ou une brosse à gril en fibres naturelles pour nettoyer les grilles en fonte et en acier inoxydable. Voir « **Instructions de nettoyage** ». Enduisez les grilles de graisse végétale et préchauffez votre gril pour brûler les résidus et éviter que les aliments n'attachent.



NOTE :

Les grilles de cuisson en acier inoxydable sont résistantes à la corrosion et nécessitent moins d'entretien que les grilles en fonte.

Zone de préparation

Assurez-vous que tout ce dont vous avez besoin pendant la cuisson, comme vos ustensiles, assaisonnements, sauces et plats, soit à portée de main. Ne laissez pas vos aliments sans surveillance, car ils pourraient brûler.

Retournez une fois et ne soulevez pas le couvercle

Essayez de ne pas ouvrir le couvercle trop souvent, sinon la chaleur s'échappera et cela faussera la température et les temps de cuisson. Retournez vos aliments une seule fois, surtout les steaks et le poulet.

Laissez de l'espace

Laissez de l'espace sur le gril et entre les aliments afin de pouvoir les déplacer si nécessaire.

Utilisez un thermomètre

Utilisez un thermomètre pour vous assurer que les aliments sont bien cuits. Respectez les consignes de température appropriées pour tous les types de viande, en particulier la volaille.



CONSEIL DE PRO!

Découvrez des recettes inspirantes et des techniques de grillade dans les livres de cuisine Napoleon ou visitez www.napoleon.com



CONSEIL DE PRO!

Préchauffez toujours le gril avant la cuisson pour brûler les résidus et éviter que les aliments n'attachent à la grille.



SUGGESTION D'HUILE ET DE GRAISSE!

- Huile de pépins de raisin,
- Huile de tournesol,
- Huile de soja,
- Huile d'olive extra vierge
- Huile de canola.

Si elle n'est pas disponible, choisissez une huile ou une graisse dont le point de fumée est élevé. N'utilisez pas de graisses salées comme le beurre ou la margarine.

Assistance de cuisson ACCU-PROBE®

Surveillez le gril et vos invités en toute confiance grâce à la technologie intégrée ACCU-PROBE®. Surveillez la température interne du gril. Programmez facilement le type d'aliment, la température cible et le temps de cuisson à l'aide de votre appareil intelligent avec l'application Napoleon Home.

Vous recevrez des notifications sur votre appareil lorsque vos aliments seront cuits à la perfection. ACCU-PROBE® prend en charge la connectivité Wi-Fi et Bluetooth®. Si votre Wi-Fi par défaut n'est pas disponible, la fonction Bluetooth® vous permet de vous connecter facilement à ACCU-PROBE®. L'appareil doit d'abord être configuré à l'aide du Wi-Fi. Une fois la configuration terminée, le Bluetooth® sera disponible pour la connectivité, et le Wi-Fi pourra toujours être utilisé s'il est pris en charge.

Consultez les sections « Instructions de démarrage rapide » et « Application Napoleon Home » pour plus d'informations sur la connexion.

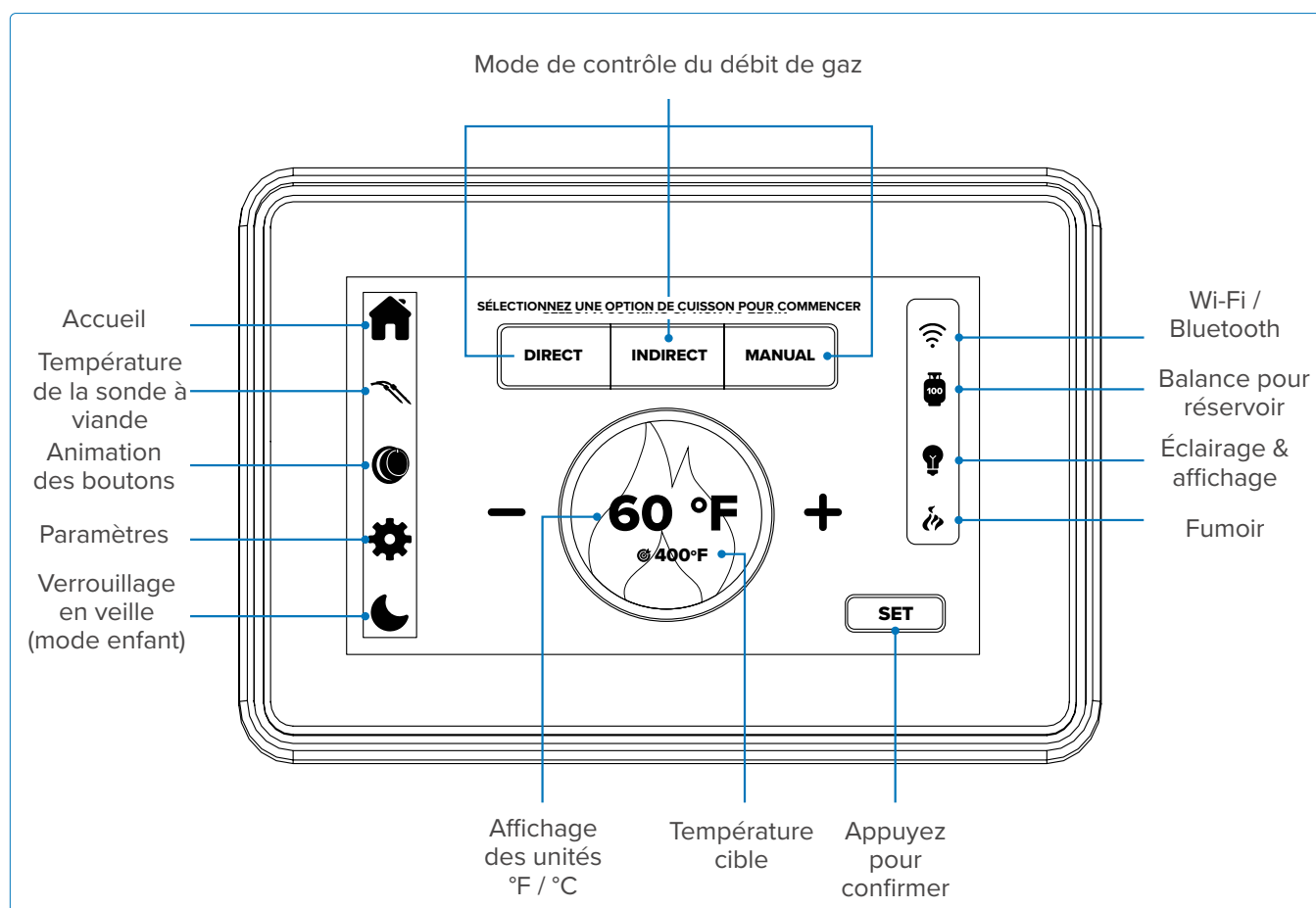
Téléchargez l'application Napoleon Home et profitez d'une cuisson intelligente.

Toute utilisation de ces marques et logos, comme indiqué, appartient à leurs propriétaires respectifs et toute utilisation par Wolf Steel Ltd. se fait sous licence : Bluetooth® par Bluetooth SIG, Inc. Les autres marques et noms commerciaux appartiennent à leurs propriétaires respectifs : Android™ et Google Play™ sont des marques de Google Inc. ; Apple, iPhone® et l'Apple App Store sont des marques d'Apple Inc. ; iOS est une marque ou une marque déposée de Cisco Inc.

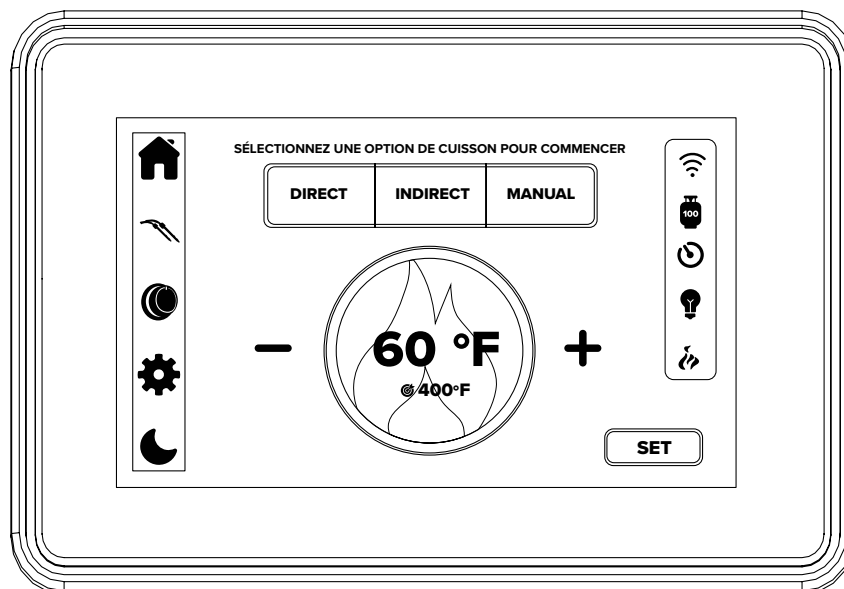
Appareils compatibles

L'application Napoleon Home est conçue pour fonctionner avec une large gamme d'appareils Android et iOS. La compatibilité des appareils n'est pas garantie en raison du grand nombre de modèles et de normes de fabrication différents.

Aperçu de l'affichage



Fonctionnement de l'affichage



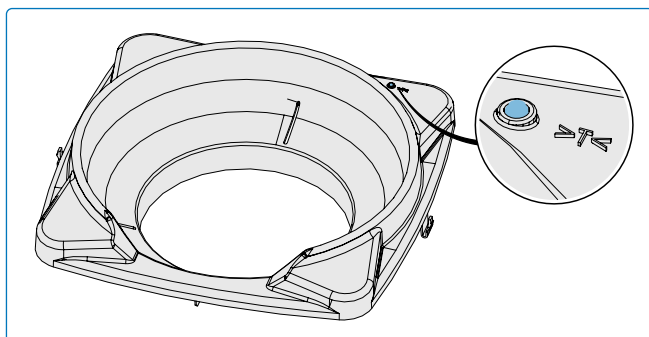
Fonction	Action	Durée	Description
Mode d'appairage	Appuyez sur le bouton d'alimentation et maintenez-le enfoncé pendant 10 secondes OU appuyez sur l'icône Wi-Fi, puis sélectionnez Réinitialiser le réseau dans la fenêtre contextuelle pour rendre le système appairé.	10 secondes	Lorsque le système redémarre, le logo Napoleon apparaît. Les icônes Wi-Fi et Bluetooth® clignotent, indiquant que l'appareil est en mode d'appairage (point d'accès). Vous devrez reconfigurer l'appareil à l'aide de l'application Napoleon Home. Ce processus doit être effectué lorsque l'écran est actif. Si l'écran est éteint ou en veille, continuez à maintenir le bouton enfoncé jusqu'à ce que le mode Point d'accès soit atteint. Vous pouvez également lancer le mode d'appairage en appuyant sur l'icône Wi-Fi et en sélectionnant Réinitialiser le réseau dans le menu contextuel.
Réveil de l'affichage	Appuyez une fois sur l'écran ou sur l'icône en forme de lune	N/A	Après le réveil, l'écran reviendra automatiquement à son état précédent. Appuyez sur l'icône en forme de lune pour mettre l'écran en mode veille ; appuyez à nouveau au même endroit pour réactiver l'écran.
Changement d'unité de température	Sélectionnez l'icône en forme d'engrenage.	N/A	Basculer entre Celsius et Fahrenheit.

Comment remettre à zéro la balance de la bouteille de propane

1. Retirez la bouteille de propane vide.
2. Appuyez sur le bouton Zéro pour lancer le processus de tare.
3. Attendez 20 secondes pour que la balance se calibre.
4. Placez la nouvelle bouteille de propane sur la balance.

Sélection d'une nouvelle bouteille de propane

- Ouvrez l'application Napoleon Home et allez dans la section Balance de la bouteille (Fig. 12).
- Choisissez l'une des options suivantes :
 - » **Amérique du Nord** : Poids de bouteille par défaut présélectionnés.
 - » **Europe** : Sélectionnez parmi les spécifications de bouteilles disponibles.
 - » **Bouteille personnalisée (optionnel)** : Saisissez le poids d'une bouteille vide et pleine pour un suivi précis (Fig. 13).



NOTE :

La mise à jour des données dans l'application peut prendre environ 1 minute.

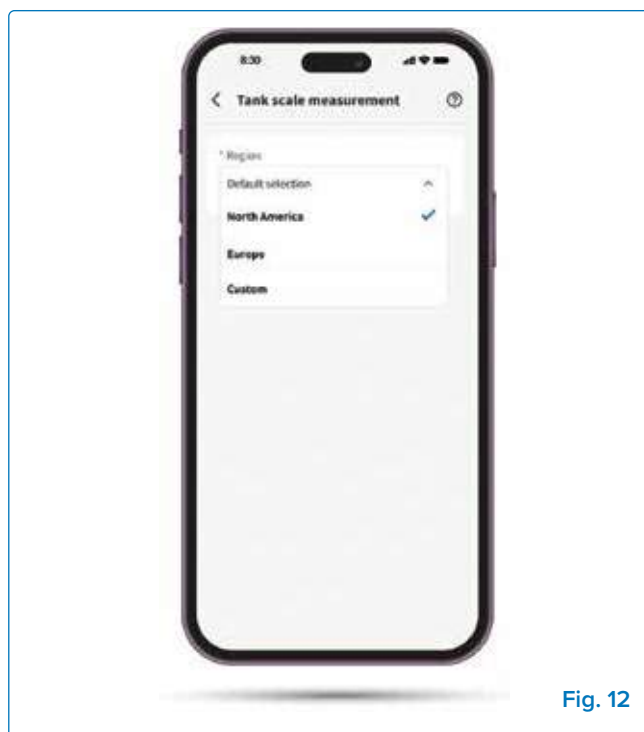


Fig. 12

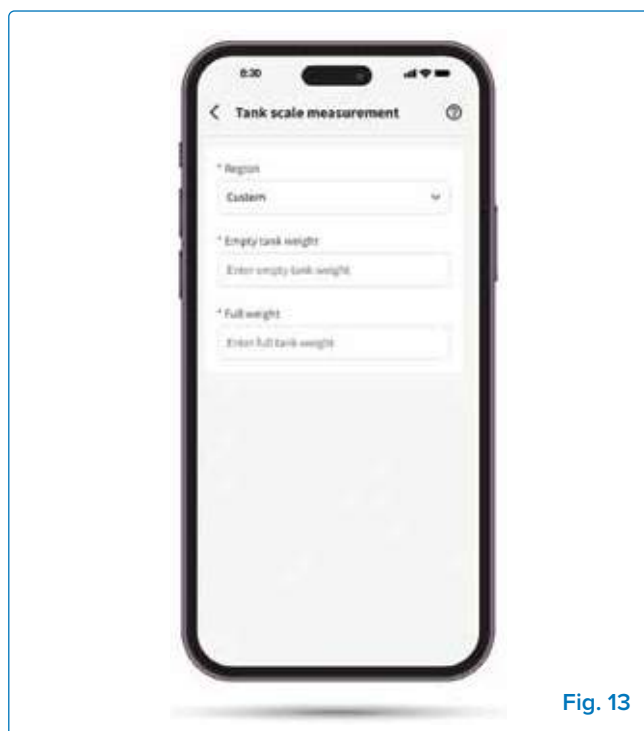


Fig. 13






Mesures de sécurité





- Évitez une humidité élevée ou des températures extrêmes.
- Évitez l'exposition prolongée au soleil ou à une forte lumière UV.
- Ne démontez pas et n'essayez pas de réparer l'appareil vous-même.
- N'exposez pas l'appareil ou ses accessoires à des liquides inflammables, des gaz ou d'autres explosifs.
- Les sondes peuvent fonctionner de -4 °F (-20 °C) à 572 °F (300 °C).
- Les câbles des sondes peuvent fonctionner de -4 °F (-20 °C) à 716 °F (380 °C).
- **IMPORTANT:** Ne laissez pas les sondes être exposées directement aux flammes ou à des températures dépassant 572 °F (300 °C).
- Pour des relevés précis, insérez les sondes au centre de la viande, idéalement avant de la placer sur le gril.
- **IMPORTANT:** Orientez les pointes des sondes vers le bas mais ne laissez pas les pointes toucher les grilles de cuisson. Essayez également de vous assurer que les sondes ne touchent pas le corps du gril.
- Placez la viande du côté du gril le plus proche du thermomètre.
- Positionnez le câble à un point de sortie élevé afin qu'il reste suffisamment au-dessus des grilles de cuisson lorsque le couvercle est fermé.
- Sinon, placez les poignées des sondes sous le joint du couvercle et assurez-vous que les côtés du gril ne dépassent pas leur température de fonctionnement maximale.
- Utilisez des anneaux de couleur pour identifier plusieurs sondes. Glissez chaque anneau jusqu'au support de base.

Dégagement

- Vérifiez que la zone de cuisson ne dépasse pas la température maximale et que les câbles ne sont pas pliés ou endommagés par des portes ou couvercles fermés.
- Vérifiez d'abord le dégagement du câble à température ambiante avec le couvercle fermé. Examinez le câble pour détecter tout pli ou courbure prononcés. Puis allumez le gril et vérifiez les points chauds où le câble pourrait entrer en contact avec une surface.

Guide de grillade infrarouge

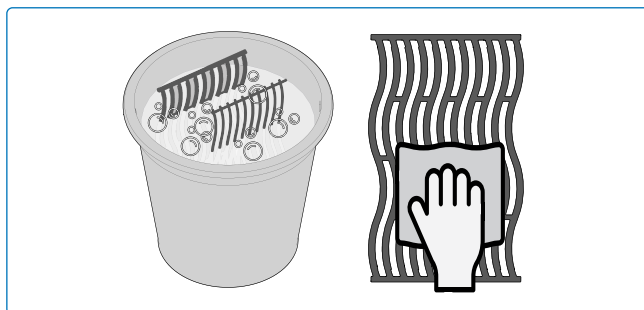
Alimentation	Température interne	Réglage du bouton de commande	Temps de cuisson	Conseils de cuisson
 Steak 2,54 cm (1 pouce) d'épaisseur.	Saignant à point 63 °C (145 °F)	ÉLEVÉ pendant 2 min de chaque côté, puis MOYEN	4 à 6 minutes de chaque côté, selon l'épaisseur.	Demandez une coupe persillée. Saisir à feu vif pour conserver les jus, puis réduire la chaleur pour la cuisson désirée. Laissez reposer 3 minutes avant de servir.
	À point 60 °C (140 °F)			
	Bien cuit 77 °C (170 °F)			
 Hamburger 1,27 cm (½ pouce) d'épaisseur.	Saignant à point 54 °C (129 °F)	ÉLEVÉ pendant 2 à 3 min de chaque côté	5 à 7 minutes au total.	Façonnez les steaks hachés à une épaisseur égale pour une cuisson homogène. Les steaks hachés de 2,54 cm (1 pouce) d'épaisseur ou plus doivent être grillés à chaleur indirecte.
	À point 60 °C (140 °F)			
	Bien cuit 77 °C (170 °F)			
 Volaille	74 °C (165 °F)	ÉLEVÉ , puis BAS	90 minutes au total (selon la taille)	Coupez aux trois quarts l'articulation entre la cuisse et la jambe pour que la viande repose à plat sur le brûleur pour une cuisson uniforme.
 Côtelettes de porc	64 °C (147 °F)	MOYEN	6 minutes de chaque côté	Choisissez des morceaux épais pour une viande plus tendre. Enlever l'excès de graisse.
 Poisson	70 °C (158 °F)	MOYEN	5 à 10 minutes, selon l'épaisseur	Cuire jusqu'à ce que la chair soit opaque et s'effrite facilement.

Alimentation	Température interne	Réglage du bouton de commande	Temps de cuisson	Conseils de cuisson
 Fruits de mer/ Crevettes	60°C - 65°C (140 °F - 149 °F)	ÉLEVÉ	3 à 5 minutes	Jetez tout fruit de mer qui ne s'ouvre pas pendant la cuisson.
 Travers de porc	74 °C (165 °F)	ÉLEVÉ pendant 5 min, puis BAS	25 à 30 minutes au total	Grillez jusqu'à ce que la viande se détache facilement de l'os.
 Côtelettes d'agneau	64 °C (147 °F)	ÉLEVÉ pendant 5 min, puis MOYEN	10 à 15 minutes par côté	Choisissez des morceaux épais pour plus de tendreté. Enlevez l'excès de gras pour éviter les flambées.
 Saucisses	74 °C (165 °F)	MOYEN à BAS	5 à 7 minutes au total	Grillez ou faites bouillir jusqu'à ce qu'elles soient bien chaudes.

Instructions de nettoyage

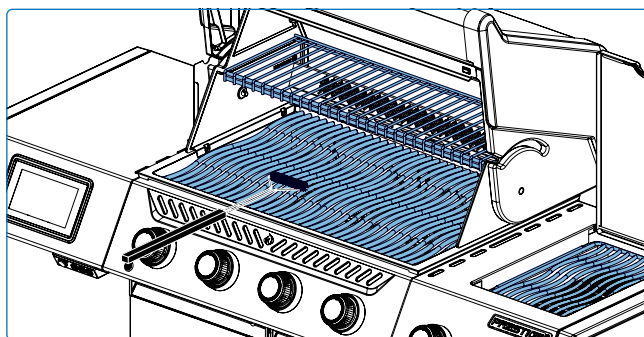
Première utilisation

1. Laver les grilles à la main avec de l'eau et du savon doux pour éliminer tout résidu du processus de fabrication. Ne pas laver au lave-vaisselle.
2. Rincez abondamment à l'eau chaude et séchez complètement avec un chiffon doux pour éviter que l'humidité ne pénètre.



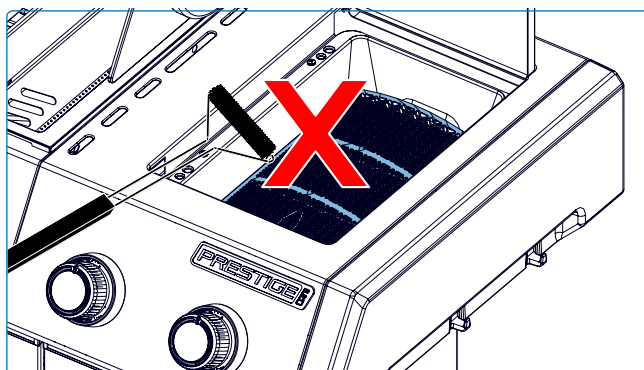
Grilles en acier inoxydable

- Les grilles de cuisson en acier inoxydable peuvent être nettoyées en préchauffant le barbecue et en utilisant une brosse métallique pour enlever les résidus.
- Les grilles en acier inoxydable se décoloreront de façon permanente à cause des températures élevées lors de l'utilisation régulière.



Brûleur latéral infrarouge

- La plupart des gouttes et particules alimentaires qui tombent sur la surface du brûleur infrarouge sont immédiatement incinérées en raison de la chaleur intense.
- Ne nettoyez pas la plaque en céramique avec une brosse métallique.
- N'utilisez pas d'eau ni d'autres liquides pour nettoyer le brûleur. Un changement immédiat de température provoquera des fissures dans la plaque en céramique.
- Allumez le brûleur et faites-le fonctionner à puissance maximale pendant 5 à 10 minutes pour éliminer tout résidu restant.



NOTE:

Para limpiar la cubierta de malla de acero inoxidable del quemador lateral, utilice un cepillo de cerdas suaves. No utilice el cepillo en las baldosas de cerámica.

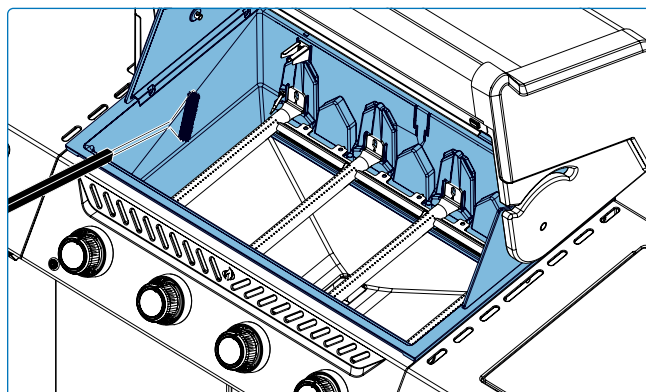
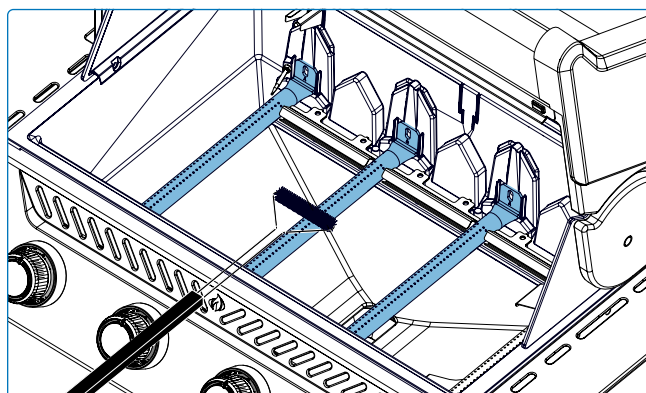
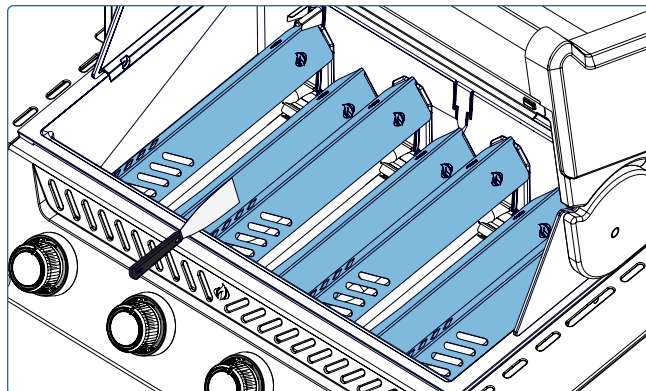


DANGER!

- Portez toujours des gants de protection et des lunettes de sécurité lors du nettoyage de votre grill.
- Le nettoyage doit être effectué uniquement lorsque le grill est froid afin d'éviter tout risque de brûlure.
- L'accumulation de graisse constitue un risque d'incendie.

Intérieur du grill

1. Retirez les grilles de cuisson.
2. Brossez les débris du couvercle et des côtés avec une brosse en laiton.
3. Grattez les plaques de saisie avec un couteau à mastic, puis brossez les cendres.
4. Retirez les plaques de saisie et nettoyez les brûleurs avec une brosse métallique.
5. Balayez les débris dans le bac d'égouttement.



Bac de récupération

Chaque tête de grill, brûleur latéral et brûleur encastrable dispose d'un bac d'égouttement correspondant. Il est facilement accessible par des portes ou des ouvertures

- La graisse et les excès de jus s'accumulent dans le bac d'égouttement situé sous le grill et s'accumulent dans le plateau à graisse jetable sous le bac d'égouttement (le cas échéant).
- N'utilisez que des doublures approuvées par Napoleon sur le bac d'égouttement. N'utilisez jamais de papier aluminium, de sable ou tout autre matériau non approuvé. Cela peut empêcher la graisse de s'écouler correctement.
- Nettoyez fréquemment pour éviter l'accumulation de graisse – environ toutes les 4 à 5 utilisations.

Étapes de nettoyage :

1. Faites glisser le bac d'égouttement du grill pour accéder au bac à graisse jetable ou pour nettoyer le bac d'égouttement.
2. Grattez le bac d'égouttement à l'aide d'un grattoir en plastique dur pour éviter les rayures qui pourraient entraîner de la rouille.
3. Remplacez le bac à graisse jetable toutes les 2 à 4 semaines, selon l'utilisation du grill (le cas échéant).
4. Consultez votre revendeur Napoleon Grill pour vous procurer les fournitures nécessaires.

Thermocouples

Le capteur de flamme et les thermocouples, situés près des brûleurs principaux (**Fig.18**), doivent être nettoyés délicatement en cas de graisse. Essayez les pointes métalliques avec un chiffon doux ou, si nécessaire, du papier de verre fin. N'utilisez ni eau, ni produits agressifs, ni pression excessive, car ces pièces sont fragiles. Assurez-vous qu'elles soient sèches avant de remonter.

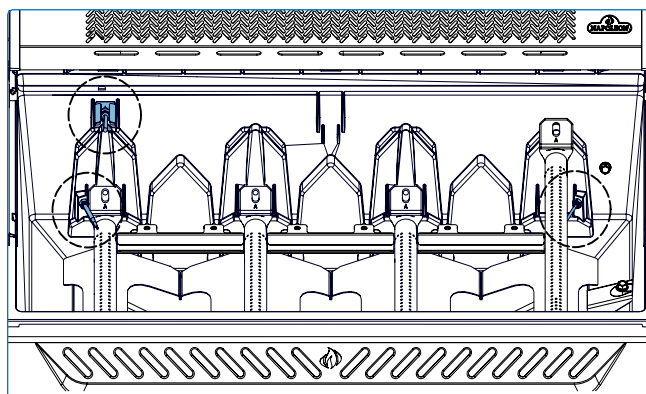
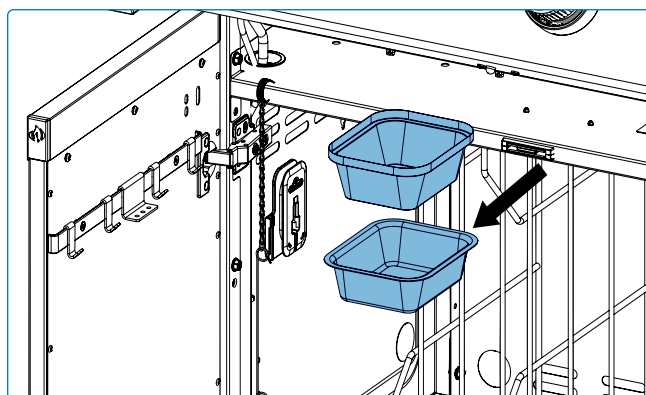
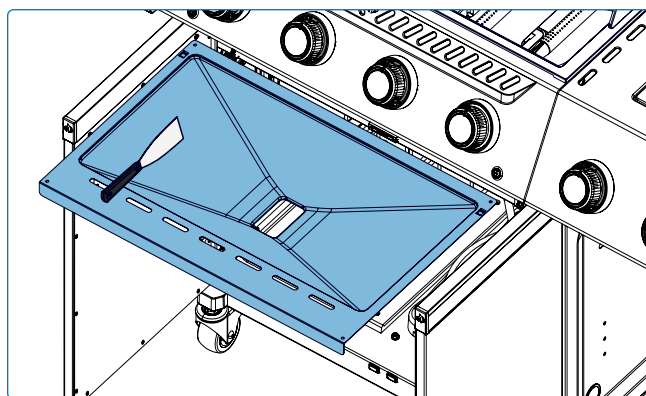


Fig. 18

Panneau de contrôle

Utilisez **UNIQUEMENT** de l'eau chaude savonneuse. Le texte est imprimé directement sur les cadres. Un nettoyage adéquat garantira que le texte reste sombre et lisible. Évitez les nettoyants abrasifs ou pour acier inoxydable, car ils peuvent endommager la finition et le texte imprimé..

Pièces moulées en aluminium

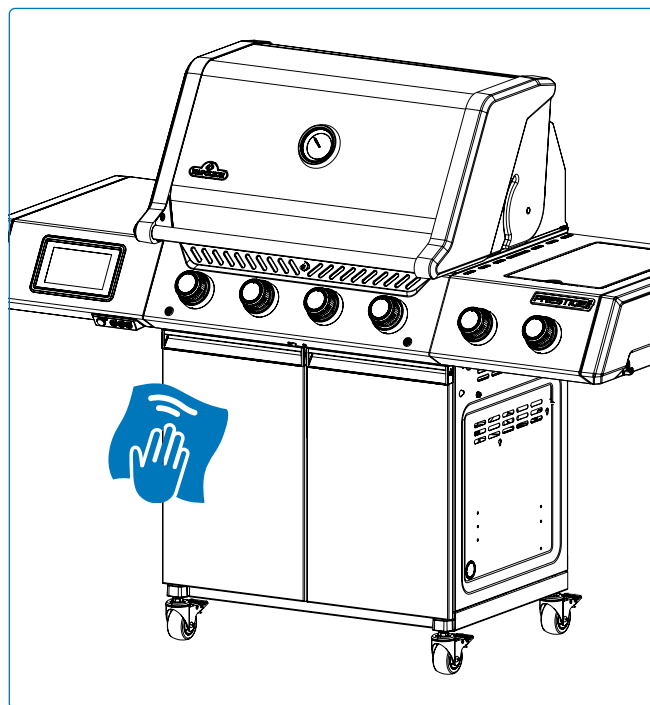
Nettoyez avec de l'eau tiède savonneuse. L'aluminium ne rouille pas, mais des températures élevées et les intempéries peuvent provoquer une oxydation à la surface des pièces moulées, qui apparaît sous forme de taches blanches.

Voir « **Instructions d'entretien** » pour plus d'informations sur la prévention de l'oxydation de l'aluminium.

Surface extérieure du gril

- N'utilisez qu'un nettoyant non abrasif. Les nettoyants abrasifs ou la laine d'acier rayent la finition.
- Essuyez toujours dans le sens du grain.
- Manipulez les composants en émail de porcelaine avec précaution.
- La finition émaillée cuite au four ressemble à du verre et s'écaille en cas de choc.

Les pièces en acier inoxydable se décolorent avec le temps lorsqu'elles sont chauffées et prennent une teinte dorée ou brune. Ceci est normal et n'affectera pas les performances du gril.



AVERTISSEMENT!

- Assurez-vous que tous les brûleurs sont éteints, que la bouteille de gaz est fermée et que le gril est refroidi avant de le nettoyer. N'utilisez pas de nettoyant pour four sur aucune partie du gril.
- Ne mettez pas les grilles de cuisson ni aucune autre pièce du barbecue dans un four autonettoyant pour les nettoyer. Nettoyez le barbecue dans un endroit où la solution de nettoyage ne risque pas d'endommager les terrasses, pelouses ou patios.
- La sauce barbecue et le sel peuvent être corrosifs et provoquer une détérioration rapide des composants du barbecue s'ils ne sont pas nettoyés régulièrement.

Moustiquaire et orifices des brûleurs

Les araignées et les insectes sont attirés par les petits espaces clos. Napoléon a équipé le brûleur d'une grille anti-insectes sur l'obturateur d'air. Cela réduit la probabilité que des insectes construisent des nids à l'intérieur du brûleur, mais n'élimine pas le problème. Un nid ou une toile peut faire brûler la flamme du brûleur en jaune ou orange pâle et provoquer un incendie ou un retour de flamme au niveau du volet d'air sous le panneau de commande.

1. Retirez la ou les vis qui fixent le brûleur à la paroi arrière du barbecue. Faites glisser le brûleur vers l'arrière et vers le haut pour le retirer (**Fig.19**).
2. Nettoyez l'intérieur du brûleur à l'aide d'une brosse flexible pour tube venturi ou, pour les zones délicates, d'une brosse à poils souples pour enlever délicatement les débris.
3. Secouez les débris libres du brûleur par l'entrée de gaz.
4. Vérifiez que les orifices du brûleur et des valves ne sont pas obstrués : les orifices du brûleur peuvent se boucher avec le temps à cause des résidus de cuisson et de la corrosion.
5. Utilisez un trombone ouvert ou un foret pour nettoyer les orifices du brûleur. Bien que cela puisse être fait avec le brûleur en place, il est plus facile de le retirer du barbecue.
6. Ne fléchissez pas la mèche lorsque vous percez les orifices, car elle se briserait.
7. Cette mèche est destinée aux orifices du brûleur et **NON** aux orifices en laiton qui régulent le flux de gaz vers le brûleur.
8. N'agrandissez pas les trous.
9. Assurez-vous que la grille anti-insectes est propre, bien fixée et exempte de peluches ou d'autres débris.
10. Inversez la procédure pour réinstaller le brûleur.
11. Assurez-vous que la valve s'insère dans le brûleur lors de l'installation.
12. Remettez le support de la plaque de saisie en place et serrez les vis pour terminer la réinstallation.

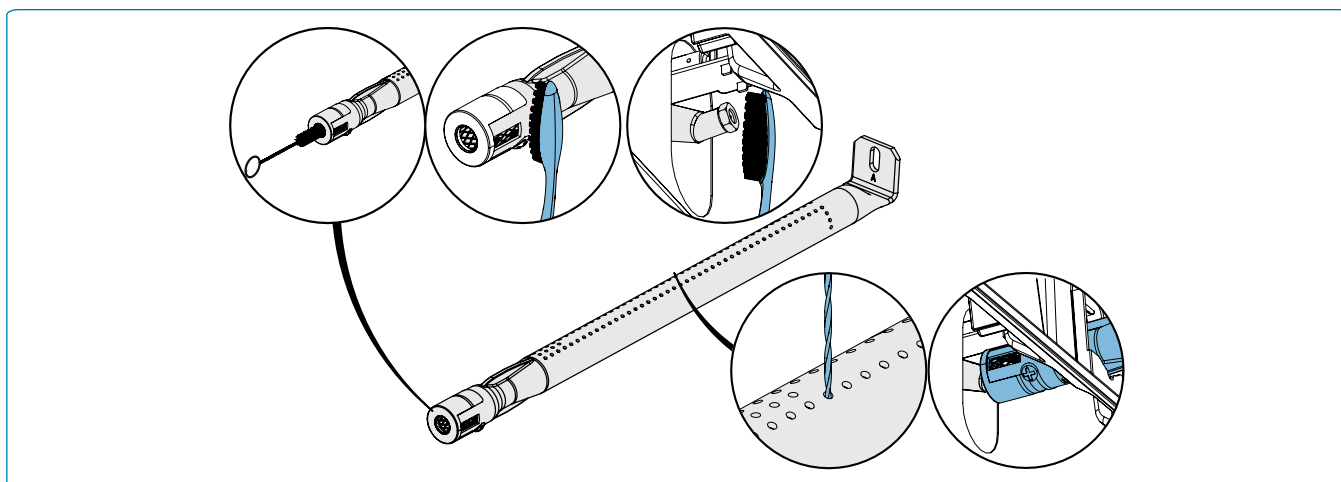


Fig. 19



DANGER!

- Il est très important que la valve/ l'orifice s'insère dans le tube du brûleur lors de la réinstallation du brûleur après nettoyage et avant d'allumer votre barbecue, sinon un incendie ou une explosion pourrait se produire.
- Évitez tout contact non protégé avec les surfaces chaudes.
- N'utilisez pas de nettoyants abrasifs ni de laine d'acier sur les parties peintes, en porcelaine ou en acier inoxydable de votre barbecue, car cela rayerait la finition.



LA SÉCURITÉ D'ABORD !

Portez toujours gants et lunettes de protection lors de l'entretien du barbecue

Sondes de température

- Nettoyez les sondes avant la première utilisation.
- Lavez à la main la partie métallique des sondes et séchez-les soigneusement après chaque utilisation. Ne lavez pas au lave-vaisselle.
- Les sondes sont inoxydables et résistantes à la corrosion. N'utilisez aucun produit chimique ou solution de nettoyage pour nettoyer les sondes, à l'exception d'un savon doux.



NOTE :

Les prises de sonde, les câbles de sonde et l'unité d'affichage sont résistants à l'eau mais ne doivent pas être laissés sous la pluie. L'appareil ne doit jamais être immergé dans l'eau.



AVERTISSEMENT!

- Gardez le barbecue à l'écart des matériaux combustibles, de l'essence et d'autres vapeurs et liquides inflammables.



NOUS VOULONS VOUS AIDER!

Contactez le service solutions clients de Napoleon pour les pièces de rechange recommandées au 1-866-820-8686.

Instructions d'entretien

Exigences générales

Ce barbecue doit être soigneusement inspecté et entretenu chaque année par une personne qualifiée.

- N'obstruez pas le flux de ventilation et d'air de combustion.
- Gardez les ouvertures de ventilation du compartiment de la bouteille, situées sur le côté du chariot ou de l'enceinte ainsi qu'à l'avant et à l'arrière de l'étagère inférieure, dégagées de tout débris.

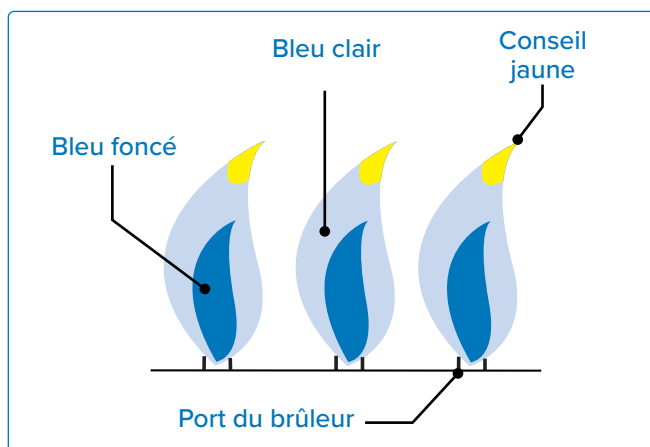
Réglage de l'air de combustion



IMPORTANT!

- Cette opération doit être effectuée par un installateur de gaz qualifié.

- L'obturateur d'air est réglé en usine et ne devrait pas nécessiter de réglage dans des conditions normales. Des ajustements peuvent être nécessaires dans des conditions extrêmes sur le terrain.
- Les flammes de l'obturateur d'air sont bleu foncé, teintées de bleu clair et parfois de jaune lorsqu'elles sont correctement réglées.
- Un débit d'air trop faible vers le brûleur produira de la suie et des flammes jaunes paresseuses.
- Un débit d'air trop important vers le brûleur entraîne une élévation irrégulière des flammes et des difficultés d'allumage.



Réglage du volet d'air

1. Retirez les grilles de cuisson et les plaques de saisie. Laissez le couvercle ouvert.
2. Vous devez retirer le brûleur pour accéder à la vis du volet d'air et la régler, car elle n'est pas accessible autrement.
3. Retirez le couvercle arrière pour régler l'obturateur d'air du brûleur à tube arrière.
4. Desserrez la vis de verrouillage du volet d'air et ouvrez ou fermez le volet d'air selon les besoins.
5. D'allumer les brûleurs à feu vif.
6. Inspectez visuellement les flammes des brûleurs.
7. Éteignez les brûleurs, serrez les vis de verrouillage et remettez les pièces retirées une fois les volets correctement réglés.
8. Veillez à ce que les moustiquaires soient installées.



NOTE :

Les brûleurs infrarouges n'ont pas de réglage d'air.

Réglages de l'obturateur d'air

Modèle	Type de gaz	Brûleur principal	Brûleur tubulaire arrière
PRO500	Propane	Ouvert	*1/4" (6 mm)
	Gaz naturel	* 1/8" (3 mm)	*1/16" (2 mm)

* Chaque côté du volet d'air

Tableau 1

Inox dans des environnements difficiles

L'acier inoxydable s'oxyde ou se tache en présence de chlorures et de sulfures, en particulier dans les régions côtières, les zones chaudes et très humides, et autour des piscines et des jacuzzis. Ces taches ressemblent à de la rouille, mais elles peuvent être facilement éliminées ou évitées. Lavez les surfaces en acier inoxydable et en chrome toutes les 3 à 4 semaines. Nettoyez-les avec de l'eau chaude savonneuse.

Entretien du brûleur

- Une chaleur extrême et un environnement corrosif peuvent provoquer une corrosion de surface même si le brûleur est fabriqué en acier inoxydable 304 à paroi épaisse.

Entretien et protection des brûleurs infrarouges

Vos brûleurs infrarouges sont conçus pour offrir une longue durée de vie, mais vous devez veiller à éviter la fissuration de leurs surfaces en céramique. Des fissures entraîneront un dysfonctionnement des brûleurs



IMPORTANT!

- Les dommages résultant du non-respect de ces instructions **NE SONT PAS** couverts par la garantie de votre gril.

Ventilation de l'air chaud

- L'air chaud doit pouvoir s'échapper du gril pour que les brûleurs fonctionnent correctement.
- Les brûleurs peuvent manquer d'oxygène si l'air chaud ne peut pas s'échapper, ce qui peut provoquer un retour de flamme. La céramique peut se fissurer si cela se produit de façon répétée.



DANGER!

- Coupez le gaz à la source et débranchez l'appareil avant toute intervention.
- Un test d'étanchéité doit être effectué chaque année et lors du remplacement de tout composant du circuit de gaz, ou en cas d'odeur de gaz.
- L'entretien ne doit être effectué que lorsque le gril est froid afin d'éviter tout risque de brûlure.

Étapes pour éviter d'endommager les surfaces en céramique

1. N'éteignez jamais une flamme ni ne contrôlez les flambées avec de l'eau (**Fig. 20**).
2. Évitez que de l'eau froide (pluie, tuyau, etc.) touche les brûleurs chauds — cela peut fissurer la céramique.
3. Si la céramique est humide avant usage, la vapeur générée peut créer une pression et provoquer des fissures.
4. Le trempage répété de la céramique peut la faire gonfler et se dilater, produisant une pression qui fera fissurer et s'effriter la céramique.
5. Si vous trouvez de l'eau stagnante dans le gril, vérifiez si la céramique est humide. Retirez le brûleur, retournez-le pour évacuer l'eau et rentrez la céramique pour un séchage complet.
6. Évitez que des objets durs heurtent le brûleur. Soyez prudent en manipulant les grilles et accessoires.

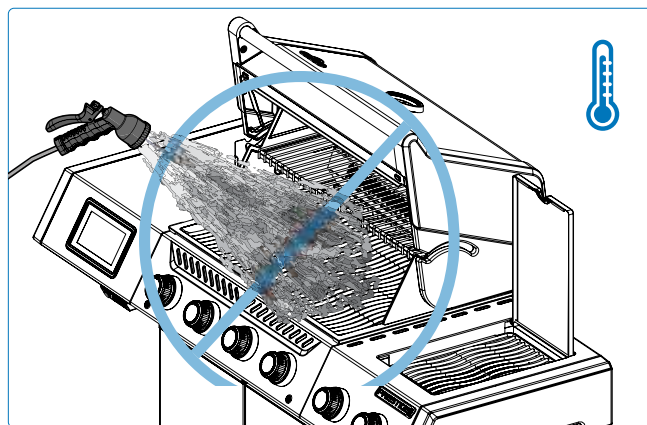


Fig. 20



LA SÉCURITÉ D'ABORD!

Ne couvrez jamais plus de 75% de la surface de cuisson d'un brûleur principal ou latéral avec du métal plein (ex.: plaque, poêle)

Réglage de la porte

Les portes du chariot de l'appareil peuvent être ajustées si elles sont inégales.

1. Trouvez le support de réglage en haut de la porte.
2. À l'aide d'un tournevis, tournez la vis de réglage de la porte dans le sens des aiguilles d'une montre pour soulever la porte, ou dans le sens inverse pour l'abaisser.
3. Après un ou deux tours de tournevis, ouvrez et fermez la porte et vérifiez l'alignement en haut des portes.
4. Ajustez les vis de charnière pour aligner les portes du meuble afin qu'elles soient au même niveau (**Fig.21**).
5. Si nécessaire, répétez ces étapes jusqu'à ce que les portes soient alignées.

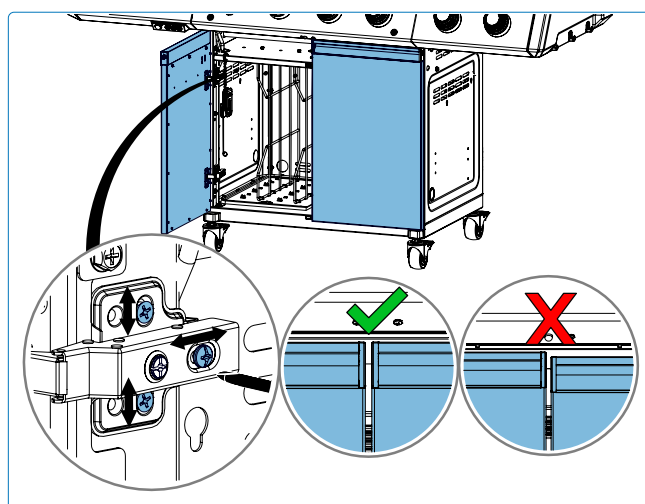
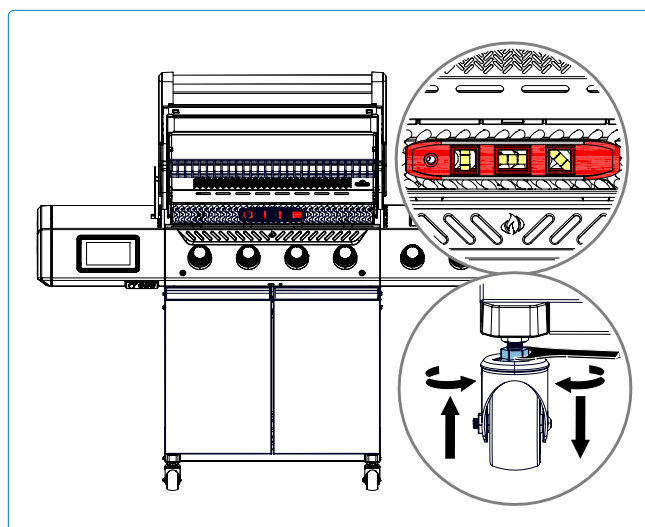


Fig. 21

AVERTISSEMENT!

- Ne surélevez qu'un seul côté de l'appareil à la fois. Ne penchez pas l'appareil vers l'avant ou vers l'arrière.

Dépannage

Problèmes d'éclairage

- Les brûleurs principaux, arrière ou latéraux ne s'allument pas avec l'allumeur, mais s'allument avec une allumette.
- Les brûleurs ne s'allument pas l'un l'autre.

	Causes possibles	Solution
Brûleur principal	La sortie JETFIRE™ est sale ou obstruée.	Nettoyez la sortie JETFIRE™ avec une brosse à dents à poils souples.
	Les supports d'éclairage croisé sont sales ou corrodés.	Nettoyez-les ou remplacez-les si nécessaire.
Brûleurs arrière et latéraux	Fil d'électrode ou fils de borne de l'interrupteur desserrés.	Vérifiez que le fil de l'électrode est bien enfoncé dans la borne située à l'arrière de l'allumeur. Vérifiez que les fils conducteurs du module à l'interrupteur d'allumage (si équipé) sont bien enfoncés sur leurs bornes respectives.
	Flammes soulevées sur le brûleur.	Fermez le volet d'air conformément à la section « Instructions d'entretien » - Réglage de l'air de combustion dans ce manuel du propriétaire. IMPORTANT ! Cette opération doit être effectuée par un installateur de gaz qualifié.

Bruits et flambées

- Ronflement du régulateur.
- Flambées excessives et chaleur inégale.

Causes possibles	Solution
Bruit de ronronnement normal les jours de chaleur.	Il ne s'agit pas d'un défaut. Cela est causé par des vibrations internes dans le régulateur et n'affecte pas les performances ni la sécurité du gril. Les régulateurs qui ronronnent ne seront PAS remplacés.
Le robinet de la bouteille a été ouvert trop rapidement.	Ouvrez lentement le robinet de la bouteille.
Plaques de saisie mal installées.	Assurez-vous que les plaques de saisie sont installées avec les trous vers l'avant et les fentes en dessous. Voir le guide des instructions de montage.
Chauffage incorrect.	Préchauffez le gril avec tous les brûleurs principaux à puissance maximale pendant 10 à 15 min.
Accumulation excessive de graisse et de cendres sur les plaques de saisie et dans le bac de récupération.	Nettoyez régulièrement les plaques de saisie et le bac de récupération. Ne pas recouvrir la poêle d'une feuille d'aluminium. Voir " Instructions de nettoyage ".

Débit de gaz

- Chaleur ou flamme faible lorsque la vanne est ouverte au maximum.
- Les brûleurs produisent une flamme jaune, accompagnée d'une odeur de gaz.
- Les flammes s'éloignent du brûleur, ce qui s'accompagne d'une odeur de gaz et d'éventuelles difficultés d'allumage.
- La sortie du brûleur est sur HIGH, mais le réglage est sur LOW. Bruit de grondement et flamme bleue vacillante à la surface du brûleur.

Causes possibles	Solution
Propane - procédure d'allumage incorrecte.	Suivez bien la procédure d'allumage : tous les robinets doivent être fermés avant d'ouvrir lentement celui du réservoir pour équilibrer la pression. Voir " Instructions d'allumage ".
Gaz naturel – conduite d'alimentation sous-dimensionnée.	Le tuyau doit être dimensionné conformément au code d'installation.
Joint d'étanchéité défectueux autour de la tuile en céramique, ou défaut de soudure dans le boîtier du brûleur.	Laissez le brûleur refroidir et inspectez-le de très près pour vérifier qu'il n'y a pas de fissures. Contactez votre revendeur Napoléon agréé pour commander un brûleur de remplacement si vous constatez des fissures.
Gaz propane et gaz naturel – préchauffage inadéquat.	Préchauffez le gril avec les deux brûleurs principaux à puissance maximale pendant 10 à 15 min.
Possibilité de toile d'araignée ou d'autres débris.	Nettoyez soigneusement le nid ou les toiles de l'orifice du brûleur en le retirant et en suivant les instructions de ce manuel. Voir " Instructions de nettoyage ".
Mauvais réglage de l'obturateur d'air.	Ouvrez ou fermez légèrement le volet d'air conformément à ce manuel. Voir " Instructions d'entretien ". IMPORTANT! Cette opération doit être effectuée par un installateur de gaz qualifié.
Manque de gaz.	Vérifiez le niveau de gaz dans la bouteille de propane.
Le tuyau d'alimentation est pincé.	Repositionner le tuyau d'alimentation si nécessaire.
Le régulateur de propane a un faible débit.	Éteignez les brûleurs et fermez la vanne de la bouteille, attendez 5 minutes avant de rouvrir complètement la vanne, laissez quelques secondes pour que la pression s'équilibre avant de suivre les instructions d'allumage pour démarrer le gril. Assurez-vous que la procédure d'allumage est suivie avec soin à chaque fois que vous cuisinez. Tous les robinets de gaz doivent être fermés lorsque le robinet du réservoir est ouvert. Ouvrez toujours le robinet du réservoir lentement.

Peinture écaillée

- La peinture semble s'écailler à l'intérieur du couvercle ou du capot.

Causes possibles	Solution
Accumulation de graisse sur les surfaces intérieures.	Il ne s'agit pas d'un défaut. La finition du couvercle et de la hotte est en porcelaine ou en acier inoxydable et ne s'écaille pas. L'écaillage est causé par la graisse durcie (appelée créosote), qui sèche et forme des éclats semblables à de la peinture, qui se détachent. Un nettoyage régulier permettra d'éviter ce phénomène. Voir « Instructions de nettoyage ».

Retour de flamme du brûleur infrarouge

- Lors du fonctionnement, le brûleur émet soudainement un fort bruit de souffle, suivi d'un bruit continu de chalumeau et devient faible ou présente une grande flamme au démarrage.

Causes possibles	Solution
Tuiles en céramique surchargées de graisse et de dépôts. Les orifices sont obstrués.	Éteignez le brûleur et laissez-le refroidir pendant au moins 2 minutes. Rallumez le brûleur et laissez-le fonctionner à puissance maximale pendant au moins 5 minutes, ou jusqu'à ce que les tuiles en céramique soient uniformément rouges.
Le brûleur a surchauffé en raison d'une ventilation insuffisante. Une trop grande partie de la surface du gril était recouverte par la plaque ou la poêle.	Assurez-vous que pas plus de 75 % de la surface du gril n'est couverte par des objets ou accessoires. Éteignez le brûleur et laissez-le refroidir pendant au moins 2 minutes. Rallumez.



NOUS VOULONS VOUS AIDER!

Napoleon est là pour s'assurer que votre expérience de grillade soit mémorable. Contactez-nous si vous avez besoin d'aide supplémentaire.

Appairage de l'application avec l'appareil

- Sur l'affichage, assurez-vous toujours que les icônes Bluetooth® et Wi-Fi clignent, indiquant qu'elles sont prêtes à être appairées avec un appareil intelligent.

Problème d'application	Causes possibles / Solution
L'application n'est pas installée ou n'est pas correctement installée.	<ul style="list-style-type: none"> • Connectez-vous à Internet via Wi-Fi et téléchargez l'application depuis l'Apple App Store ou Google Play™. • Suivez les instructions pour installer et ouvrir automatiquement l'application. • Désinstallez et réinstallez l'application si nécessaire (voir « Napoleon Home App » pour plus de détails). • Étendez les autorisations de l'application. • Vérifiez l'icône de l'app sur l'écran d'accueil.
L'application est installée mais affiche un écran avec le texte « sonde non connectée ».	<ul style="list-style-type: none"> • Assurez-vous que les sondes sont correctement insérées dans les emplacements de votre appareil. • Orientez l'affichage de l'appareil vers le dispositif pour optimiser la réception. • Fermez puis relancez l'application (assurez-vous de connaître les opérations et paramètres de base de l'appareil). • Fermez les apps inutiles, elles consomment de la mémoire.
L'application fonctionnait auparavant, mais le nom de l'appareil n'apparaît pas dans la liste des appareils de l'application.	<ul style="list-style-type: none"> • L'application ne recherche pas ou ne parvient pas à trouver l'appareil. • Cliquez sur « Réessayer » sur la page « aucun appareil trouvé » ou appuyez sur le bouton retour sur la page « appareils trouvés » pour relancer la recherche. • Éteignez puis rallumez l'affichage en maintenant le bouton d'alimentation 5 s. Vérifiez que le Bluetooth® est activé sur votre appareil. • Approchez le dispositif intelligent de l'unité d'affichage. • Rafraîchissez le cache mémoire en fermant et en rouvrant l'application. • Assurez-vous que le paramètre de localisation de votre appareil est activé. • Attendez entre 30 et 60 secondes entre chaque étape.

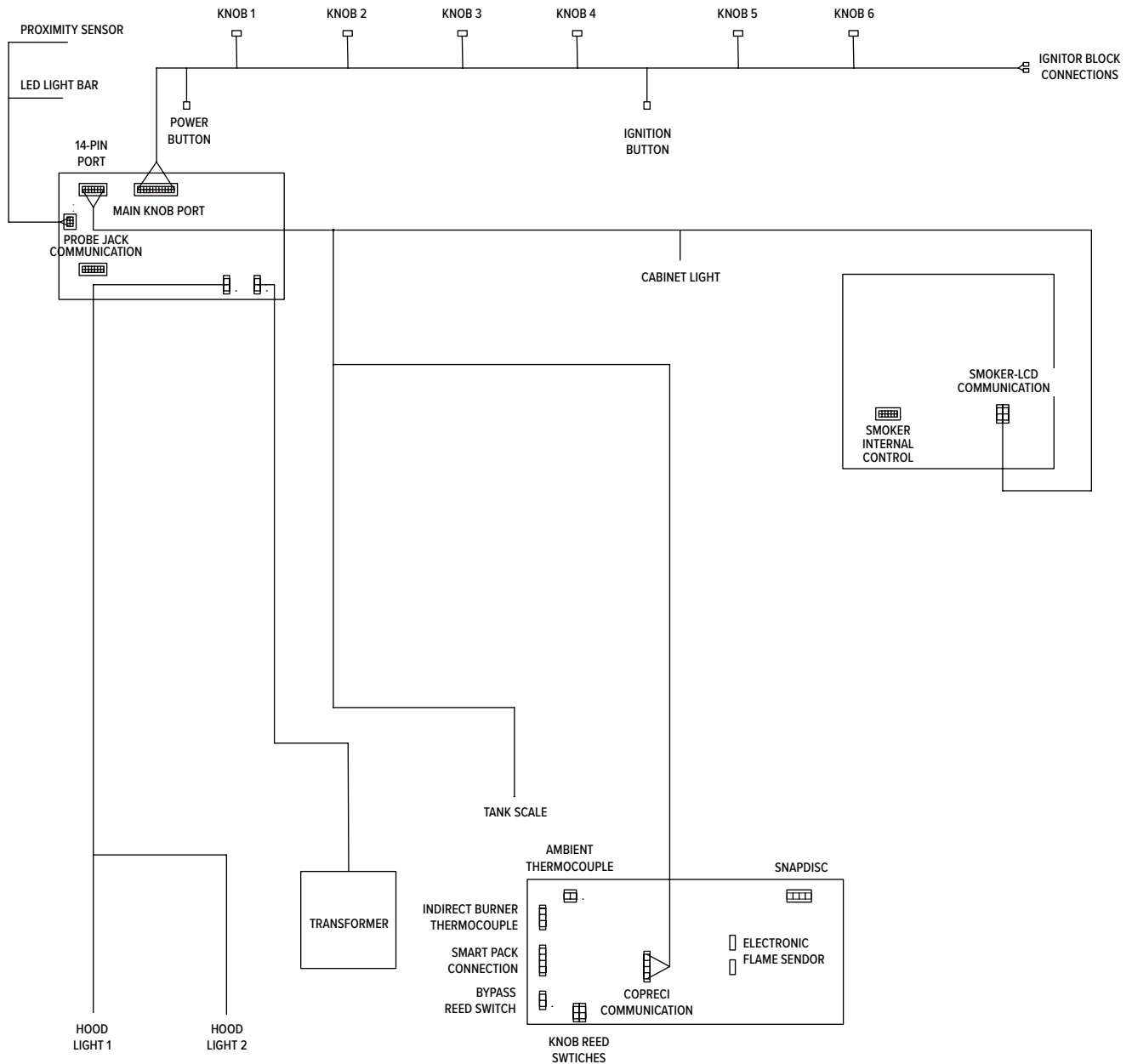
Problème d'application	Causes possibles / Solution
<p>L'appareil a perdu la connexion pendant le fonctionnement et affiche une page « connexion perdue ».</p>	<ul style="list-style-type: none"> • Tentez d'identifier la cause des interférences de fréquence ou d'un obstacle physique. • Assurez-vous que l'appareil et le smartphone ont accès à Internet, et que le Bluetooth® est activé sur votre smartphone. • Éteignez puis rallumez l'unité d'affichage. • Forcez la fermeture et la réouverture de l'application en dernier recours.
<p>Les alarmes ne fonctionnent pas.</p>	<ul style="list-style-type: none"> • Vérifiez la connexion de l'appareil. • Vérifiez que les sons ou notifications appropriés sont activés dans les paramètres de votre appareil intelligent. • Vérifiez que la notification d'alarme (ou vibration) est sélectionnée dans l'application Napoleon Home.
<p>L'appareil ne se connecte pas au Wi-Fi.</p>	<ul style="list-style-type: none"> • L'appareil prend uniquement en charge la bande Wi-Fi 2,4 GHz. Vérifiez les paramètres de votre routeur. Assurez-vous que votre routeur diffuse en 2,4 GHz. Certains routeurs peuvent diffuser sur plusieurs bandes. • Vérifiez les paramètres de votre routeur pour vous assurer que la bande 2,4 GHz est activée. • D'autres appareils peuvent interférer avec le Wi-Fi. Éloignez l'appareil des sources possibles d'interférences.



RESSOURCES POUR LES PIÈCES DE RECHANGE

Rendez-vous sur [napoleon.com](https://www.napoleon.com) ou consultez votre guide de montage pour les instructions concernant les pièces de rechange.

Schéma des connexions électriques



Conformité

Nom du produit	Numéro de modèle	FCC ID	IC ID
PRESTIGE PRO	PRO500VX	VA8-PRO665VX	7114A-PRO665VX

Ce dispositif est conforme à la partie 15 des règles de la FCC. Le fonctionnement est soumis aux deux conditions suivantes :

1. L'appareil ne doit pas provoquer d'interférences nuisibles.
2. L'appareil doit accepter toute interférence reçue, y compris celles pouvant provoquer un fonctionnement indésirable. Les modifications ou changements non expressément approuvés par la partie responsable de la conformité peuvent annuler le droit de l'utilisateur à utiliser cet équipement.

Conformité FCC:

Ce matériel a été testé et jugé conforme aux limites imposées aux appareils numériques de classe B, conformément à la partie 15 des règles de la FCC. Ces limites sont conçues pour offrir une protection raisonnable contre les interférences nuisibles dans une installation résidentielle.

Ce matériel génère, utilise et peut émettre de l'énergie de radiofréquence et, s'il n'est pas installé et utilisé conformément aux instructions, peut provoquer des interférences nuisibles aux communications radio. Cependant, il n'est pas garanti qu'aucune interférence ne se produira dans une installation particulière.

Si ce matériel provoque des interférences nuisibles à la réception radio ou télévision, ce qui peut être déterminé en allumant et éteignant l'appareil, l'utilisateur est encouragé à essayer de corriger l'interférence en appliquant une ou plusieurs des mesures suivantes:

- Réorienter ou déplacer l'antenne de réception.
- Augmenter la distance entre l'appareil et le récepteur.
- Brancher l'appareil sur une prise appartenant à un circuit différent de celui auquel le récepteur est connecté.
- Consultez le revendeur ou un technicien radio/TV expérimenté pour obtenir de l'aide.

Déclaration sur l'exposition aux RF

Pour respecter les directives FCC sur l'exposition RF, l'antenne de ce transmetteur doit être installée

à au moins 20 cm de toute personne et ne doit pas être utilisée avec une autre antenne ou un autre transmetteur.

Déclaration d'ISED Canada:

Ce dispositif contient des émetteurs/récepteurs exempts de licence qui sont conformes aux RSS exempts de licence d'Innovation, Sciences et Développement économique Canada. Le fonctionnement est soumis aux deux conditions suivantes :

1. Ce dispositif ne doit pas provoquer d'interférences ; et
2. Ce dispositif doit accepter toute interférence, y compris celles pouvant provoquer un fonctionnement indésirable de l'appareil.

Directive sur les équipements radio: Par la présente, Napoleon déclare que le type d'équipement radio PRESTIGE P500VX - P665VX est conforme à la directive 2014/53/UE.

Exposition aux radiations: Ce matériel est conforme aux limites d'exposition aux radiations du Canada établies pour un environnement non contrôlé.

Déclaration sur l'exposition aux RF :

Pour respecter les directives d'IC sur l'exposition RF, l'antenne de ce transmetteur doit être installée à au moins 20 cm de toute personne et ne doit pas être utilisée avec une autre antenne ou un autre transmetteur.

Ce transmetteur radio [7114A-PRO665VX] est approuvé par ISDE Canada pour fonctionner uniquement avec les types d'antennes listés ci-dessous, avec le gain maximal indiqué. Tout type d'antenne non listé avec un gain supérieur est strictement interdit avec cet appareil.

Antenne détachable :

–0,19 dBi à 2,4 GHz, 50 Ω, antenne externe
L'antenne BT/WiFi de l'appareil est détachable.

GARANTIE À VIE LIMITÉE DE NAPOLEON®

POUR LES MODÈLES PRESTIGE®, PRESTIGE PRO™ ET ENCASTRÉS



Les produits Napoléon sont conçus avec des composants et des matériaux de qualité supérieure, assemblés par des artisans qualifiés qui sont fiers de leur travail. Le brûleur et le montage de la soupape subissent un test de détection de fuites et d'allumage à une station de contrôle de la qualité. Ce gril a été soigneusement inspecté par un technicien qualifié avant d'être emballé et expédié pour garantir que vous, le client, recevez le produit de qualité dont vous vous attendez de Napoléon.

Merci d'avoir choisi un produit Napoléon. Napoléon (Wolf Steel Ltée, Barrie, ON, Canada) garantit que les composants de votre nouveau produit Napoléon seront exempts de défauts de matériau ou de fabrication à compter de la date de l'achat, pour une durée de 15 ans.

Hotte	À vie
Couvercle en acier inoxydable	À vie
Couvercle en porcelaine émaillée	À vie
Pièces en fonte d'aluminium	À vie
Grilles de cuisson en acier inoxydable	À vie
Brûleurs tubulaires en acier inoxydable	À vie
Plaques de brûleur en acier inoxydable	15 ans
Grilles de cuisson en fonte émaillée	15 ans
Brûleur arrière infrarouge en acier inoxydable	15 ans
Brûleurs de cuve/latéral infrarouges	15 ans
Composants électriques	3 ans
Toutes les autres pièces	15 ans

Conditions et Limitations :

La présente garantie limitée couvre une période de garantie telle que spécifiée dans le tableau ci-dessus pour tout produit acheté par l'entremise d'un détaillant autorisé Napoléon, et donne droit à l'acheteur d'origine (ou au destinataire du cadeau dans le cas où un nouveau produit est offert en cadeau) à la couverture spécifiée relativement à tout composant remplacé durant la période de garantie, que ce soit par Napoléon ou un détaillant autorisé Napoléon, pour le remplacement de tout composant qui présente une défaillance dans le cadre d'un usage privé normal à la suite d'un défaut de fabrication. Cette garantie ne couvre pas les accessoires ou les articles en prime. Il est entendu que l'« usage privé normal » d'un produit signifie que le produit : a été installé (le cas échéant) par un technicien de service ou entrepreneur certifié, conformément aux instructions d'installation incluses avec le produit et à tous les codes locaux et nationaux du bâtiment et de prévention des incendies; a été adéquatement nettoyé et entretenu conformément aux instructions; et n'a pas été utilisé dans une application à usage collectif ou commercial. Dans des applications à usage collectif ou

commercial (lorsqu'elles sont approuvées), la garantie est réduite à une période de deux (2) ans.

De la même manière, « défaillance » n'inclut pas : les dommages causés par une surchauffe, les extinctions causées par des conditions environnementales telles que des vents forts ou une ventilation inadéquate, les égratignures, les bosses, la corrosion, la détérioration des finis peints et plaqués, la décoloration due à la chaleur, aux nettoyants abrasifs ou chimiques ou à l'exposition à des rayons UV, l'écaillage des pièces en porcelaine émaillée ou les dommages causés par un mauvais usage, un accident, la grêle, des feux de graisse, un manque d'entretien et de nettoyage, un environnement inadéquat tel que le sel ou le chlore, des altérations, des abus, des négligences ou des pièces installées par d'autres fabricants. Si vous vivez en zone côtière, ou que votre produit est situé près d'une piscine ou d'un spa, l'entretien comprend le lavage et le rinçage réguliers des surfaces externes, comme indiqué dans le manuel d'utilisation du produit, afin de prévenir la corrosion de surface. Dans le cas d'une détérioration des composants causant le mauvais fonctionnement de

GARANTIE À VIE LIMITÉE DE NAPOLEON®

POUR LES MODÈLES PRESTIGE®, PRESTIGE PRO™ ET ENCASTRÉS

l'appareil (perforation par la rouille ou la surchauffe) pendant la période couverte par la garantie, les pièces de rechange seront fournies par Napoléon. Les pièces remplacées en vertu de cette garantie, ne sont garanties que pour le reste de la période de garantie mentionnée dans le tableau ci-dessus.

Les composants de rechange relèvent de la seule responsabilité de Napoléon telle que définie par la présente garantie; en aucun cas, Napoléon ne saurait être tenu responsable de l'installation, de la main-d'œuvre ou de tous autres coûts ou dépenses relatifs à la réinstallation d'une pièce garantie, de tous dommages accessoires, consécutifs ou indirects ni de tous frais de manutention et de transport, ou taxes d'exportation.

L'utilisation ou l'installation de pièces autres que des pièces d'origine Napoléon sur votre produit Napoléon annulera cette garantie, et tout dommage qui en résulterait n'est pas couvert par cette garantie. Toute conversion de gril à gaz non autorisée par Napoléon et effectuée par un technicien de service autorisé Napoléon annulera cette garantie.

La présente garantie limitée vient s'ajouter à tous les droits qui vous sont accordés par la législation locale. Ces droits et d'autres droits légaux ne sont pas affectés par les dispositions relatives à cette garantie. Par conséquent, la présente garantie limitée n'impose pas à Napoléon

l'obligation de garder des pièces en stock. En fonction de la disponibilité des pièces, Napoléon peut, à sa discrétion, se libérer de toute obligation en fournissant à un client un crédit au prorata applicable à un nouveau produit.

Napoléon peut de temps à autre améliorer la conception de ses produits. Aucune disposition de la présente garantie ne doit être interprétée comme une obligation pour Napoléon d'incorporer ces améliorations de conception dans des produits fabriqués antérieurement, et ces améliorations ne doivent pas être interprétées comme un aveu que les conceptions précédentes étaient défectueuses.

En enregistrant votre produit Napoléon, votre couverture de garantie est confirmée. Cela permet d'accélérer les réclamations de garantie et de fournir un lien entre vous et Napoléon dans l'éventualité où nous devons vous contacter. Lors d'une réclamation au titre de la garantie, les représentants de Napoléon peuvent vous demander de fournir la facture ou une copie ainsi qu'un numéro de série et un numéro de modèle. Napoléon se réserve le droit de demander à son représentant d'inspecter tous produits ou pièces avant d'honorer toute réclamation. Pour pouvoir bénéficier de la couverture de garantie, vous devez contacter le service à la clientèle de Napoléon ou un détaillant autorisé Napoléon.



PRESTIGE[®] PRO

Manual del propietario

PRO500VX

Las parrillas ilustradas en este manual pueden diferir del modelo adquirido.

¡Queremos tu opinión!
Visite Napoleon.com para escribir una reseña.



Aplicar número de serie

¡FELICIDADES POR ADQUIRIR SU PARRILLA NAPOLEON®!

Acaba de mejorar su experiencia de asado.

UTILICE SOLO EN EXTERIORES EN UN ÁREA BIEN VENTILADA.

⚠ ¡PELIGRO! ⚠

SI HUELE GAS:

- Cierre el suministro de gas al aparato.
- Apague cualquier llama abierta.
- Abra la tapa.
- Si el olor continúa, aléjese del aparato y llame de inmediato a su proveedor de gas o al departamento de bomberos.

⚠ ¡ADVERTENCIA! ⚠

No intente encender este aparato sin leer la sección “ENCENDIDO” de este manual. No almacene ni use gasolina u otros líquidos o vapores inflamables cerca de este o cualquier otro aparato.

Un cilindro de L.P. (propano) que no esté conectado para su uso no debe almacenarse cerca de este ni de ningún otro aparato.

Si la información en estas instrucciones no se sigue exactamente, puede ocurrir un incendio o explosión que cause daños a la propiedad, lesiones personales o la muerte.



NUESTRO OBJETIVO ES HACER QUE SU EXPERIENCIA DE ASADO SEA TANTO MEMORABLE COMO SEGURA.



Lea este Manual del Propietario antes de usar el aparato para evitar daños a la propiedad, lesiones personales o la muerte.



Retire todo el material de empaque, etiquetas promocionales y tarjetas de la parrilla antes de usarla.



Alerta a adultos y niños sobre el peligro de las altas temperaturas en las superficies.



Los niños deben ser supervisados para asegurarse de que no jueguen con el aparato.

AVISO PARA EL INSTALADOR:

Deje estas instrucciones con el propietario de la parrilla para referencia futura.

AVISO PARA EL CONSUMIDOR:

Conserve estas instrucciones para referencia futura.

¡Bienvenido a NAPOLEON®!

La seguridad ante todo

¡ATENCIÓN!

Información general

Esta parrilla debe instalarse de acuerdo con los códigos locales. En ausencia de códigos locales, instale de acuerdo con el Código de Instalación de Gas Natural y Propano CSA B149.1 en Canadá, o el Código Nacional de Gas Combustible ANSI Z223.1/NFPA 54 en los Estados Unidos.

Si se utiliza una fuente eléctrica externa, el aparato también debe estar conectado a tierra de acuerdo con los códigos locales. En ausencia de códigos locales, siga el Código Eléctrico Canadiense CSA C22.1 en Canadá, o el Código Eléctrico Nacional NSI/NFPA 70 en los Estados Unidos.

¡ATENCIÓN!

Almacenamiento y desuso

Cierre el gas en la bombona de propano o en la válvula de suministro de gas natural. Desconecte la manguera entre el cilindro de propano y la parrilla. Retire la bombona de propano y guárdela al aire libre en un lugar bien ventilado y alejado de los niños.

Desenchufe de la toma de corriente cuando no esté en uso y antes de limpiar. NO guarde las bombonas de propano en un edificio, garaje, cobertizo o cualquier otro espacio cerrado. Desconecte la conexión de gas natural del suministro cuando almacene la parrilla en interiores.

Coloque la tapa antipolvo en la salida de la válvula del cilindro siempre que el cilindro no esté en uso. Instale únicamente el tipo de tapa antipolvo en la salida de la válvula del cilindro que viene con la válvula del cilindro. Otros tipos de tapas o tapones pueden provocar fugas de propano.

¡ATENCIÓN!

Funcionamiento

Realice una prueba de fugas en esta parrilla antes de cada uso, anualmente y cuando se reemplacen componentes de gas.

Siga cuidadosamente las instrucciones de encendido. No utilice esta parrilla para fines distintos a los previstos.

No opere esta parrilla con un cable o enchufe dañado, o después de que la parrilla presente fallas o haya sido dañada de alguna manera. Contacte a NAPOLEON para reparaciones.

¡ATENCIÓN!

Instalación y montaje

Ensamble esta parrilla exactamente como se indica en la Guía de Ensamblaje. Si la parrilla fue ensamblada en la tienda, revise las instrucciones de ensamblaje para asegurarse de que esté correctamente armada. Esta parrilla no está diseñada para ser instalada en o sobre embarcaciones ni en o sobre vehículos recreativos.

Realice la prueba de fugas requerida antes de operar la parrilla. No modifique esta parrilla bajo ninguna circunstancia. Deje que la parrilla se enfríe antes de instalar o quitar piezas. No utilice un cilindro que no esté equipado con una conexión de tipo QCC1. Utilice únicamente el regulador de presión y el conjunto de manguera suministrados con esta parrilla o piezas de repuesto recomendadas específicamente por NAPOLEON.

 **¡ATENCIÓN!****Precauciones eléctricas**

Para protegerse contra descargas eléctricas, no sumerja el cable ni los enchufes en agua u otros líquidos. No deje que el cable cuelgue sobre el borde de una mesa ni toque superficies calientes. Al conectarlo, primero conecte el enchufe a la parrilla y luego enchufe la parrilla a la toma de corriente.

Utilice únicamente un circuito protegido con un interruptor diferencial (GFI) con esta parrilla. Nunca retire el enchufe con conexión a tierra ni lo utilice con un adaptador de dos clavijas. Este aparato incorpora una conexión a tierra solo con fines funcionales.

Utilice únicamente cables de extensión con un enchufe de tres clavijas con conexión a tierra, homologados para la potencia de la parrilla y aprobados para uso en exteriores con la marca W-A.

Si el cable de alimentación eléctrica está dañado, debe ser sustituido por un distribuidor autorizado de Napoleon, su agente de servicio o personas igualmente cualificadas para evitar cualquier peligro.

 **¡ATENCIÓN!****Proposición 65 de California**

Este producto puede exponerle a sustancias químicas, incluido el hollín, de las que el Estado de California tiene constancia que causan cáncer, y a sustancias químicas, incluido el monóxido de carbono, de las que el Estado de California tiene constancia que causan defectos de nacimiento u otros daños reproductivos. Para más información visite www.p65warnings.ca.gov.

CONTENIDO

¡Bienvenido a NAPOLEON!	120
La seguridad ante todo	120
Características completas del sistema	124
Para comenzar	126
Símbolos de seguridad que debe conocer	126
Prácticas operativas seguras adicionales	126
Ubicación de su parrilla	128
Conexiones de gas	129
Prueba de fugas	132
Instrucciones de inicio rápido	133
Conectividad Napoleon	134
Guía de activación del modo de emparejamiento	136
Descripción general y funcionamiento del sistema	137
Características de control (si está equipado)	137
Encendido de su parrilla	144
Cómo usar el asador giratorio	148
Almacenamiento	149
Lista de verificación para la experiencia de asado	150
Asistente de cocción ACCU-PROBE®	151
Dispositivos compatibles	151
Descripción general de la pantalla	151
Funcionamiento de la pantalla	152
Medidas de seguridad	154
Espacio libre	154
Guía de asado por infrarrojos	155
Instrucciones de limpieza	157
Primer uso	157
Rejillas de acero inoxidable	157
Quemador lateral infrarrojo	157
Interior de la parrilla	158
Bandeja recolectora	159
Termopares	159

Panel de control	160
Fundiciones de aluminio	160
Superficie exterior de la parrilla	160
Rejilla antiinsectos y orificios de los quemadores	161
Sondas de temperatura	162
Instrucciones de mantenimiento	163
Requisitos generales	163
Ajuste del aire de combustión	163
Acero inoxidable en ambientes hostiles	164
Solución de problemas	166
Problemas de encendido	166
Flujo de gas	167
Pintura descascarillada	168
Emparejamiento de la aplicación con el aparato	169
Diagrama de conexiones eléctricas	171
Conformidad	172
Garantía	173

Características completas del sistema

Placas de sellado de acero inoxidable de doble nivel para un calentamiento uniforme y constante, y para vaporizar los jugos, logrando alimentos más sabrosos.

Quemador trasero infrarrojo para asador para disfrutar comidas de asador jugosas.

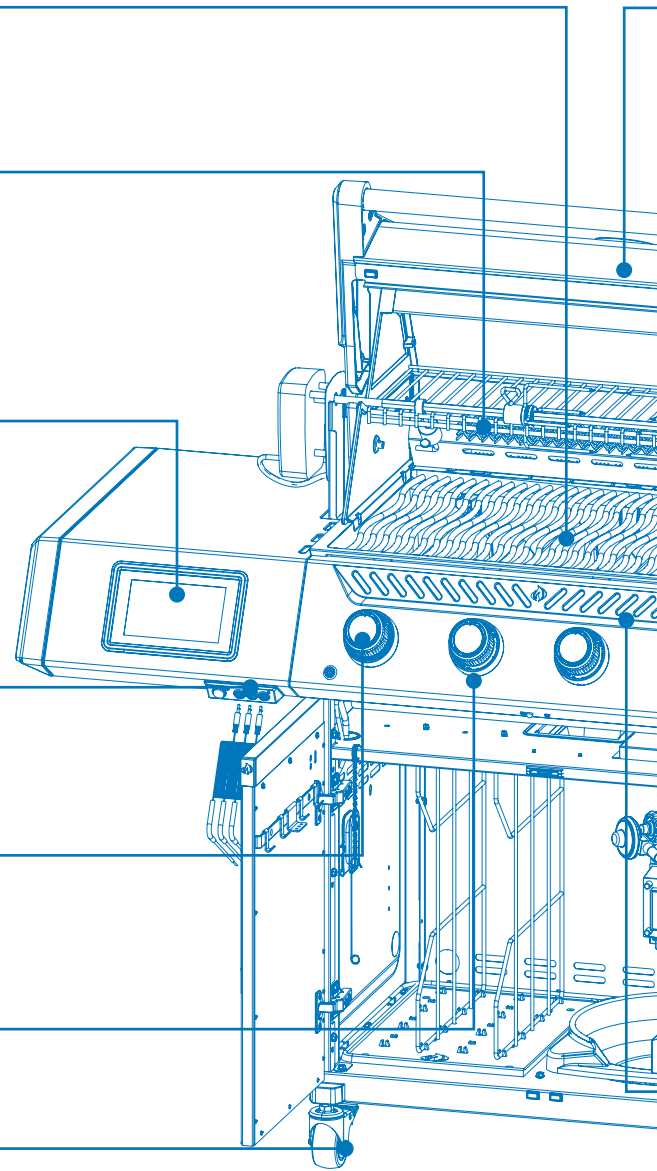
Pantalla táctil de 7" con Wi-Fi y Bluetooth® integrado y configuraciones personalizadas para monitoreo de temperatura.

Incluye tres sondas con cable para un rendimiento confiable.

Perillas de control **LED SPECTRUM NIGHT LIGHT™** con **LUZ DE SEGURIDAD.**

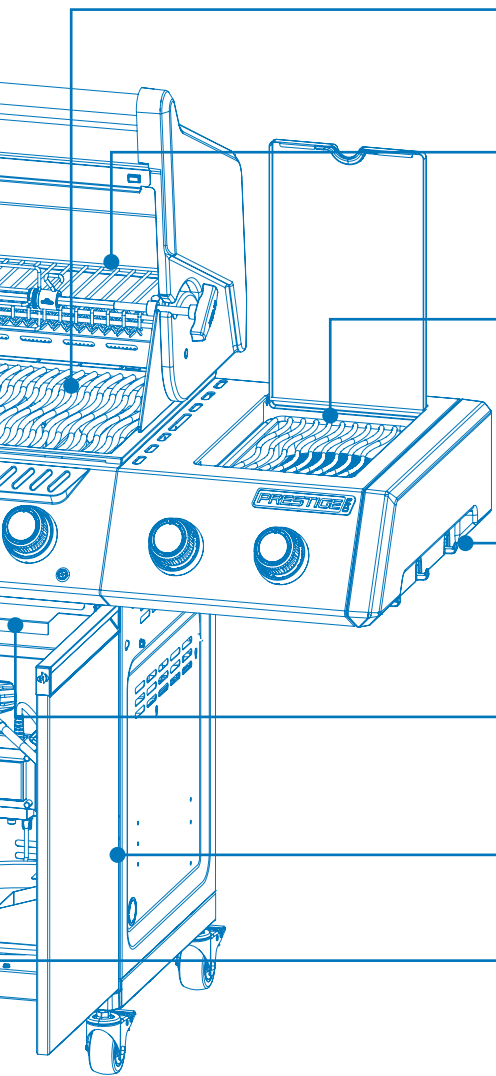
Encendido instantáneo **JETFIRE™** para un arranque rápido y sencillo.

Ruedas con bloqueo fácil para asegurar la parrilla en su posición de manera segura.



¡IMPORTANTE!

Las parrillas ilustradas en este manual del propietario pueden diferir del modelo que usted compró.
Modelo destacado: PRO500VX



Medidor de temperatura **ACCU-PROBE™** para leer fácilmente la temperatura y obtener resultados perfectos.

Parrillas de cocción de acero inoxidable con icónico **WAVE Design™** para esas marcas distintivas y cocción uniforme.

Amplia rejilla de calentamiento de acero inoxidable para aumentar el área de cocción.

Quemador lateral infrarrojo **Sizzle Zone®** para asar filetes a la perfección.

Espacio para almacenar herramientas de asado.

Cajón para bandeja de goteo con charola y recipiente de grasa fácilmente removibles.

Armario fácilmente ajustable
Puertas con cierre suave.

Quemadores de acero inoxidable de gran calibre para una calidad duradera.

Para comenzar

Símbolos de seguridad que debe conocer



¡PELIGRO!

Advierte de un peligro que puede provocar un incendio, una explosión, la muerte o lesiones físicas graves.



¡ADVERTENCIA!

Advierte de un peligro que puede provocar lesiones físicas leves o daños materiales.



No fume mientras realiza una prueba de fuga de gas. Las chispas o las llamas pueden provocar un incendio, una explosión, daños materiales, lesiones físicas graves o la muerte.



No utilice nunca una llama abierta para comprobar si hay fugas de gas. Las chispas o las llamas pueden provocar un incendio, una explosión, daños materiales, lesiones físicas graves o la muerte.



¡CUIDADO! Superficie caliente.



Cierre inmediatamente el suministro de gas y desconéctelo.



Utilice gafas de seguridad.



Llevar guantes de protección.



Información importante.

Prácticas operativas seguras adicionales

- No pase la manguera por debajo de la bandeja de goteo. Mantenga la distancia adecuada de la manguera desde la parte inferior de la unidad.
- Asegúrese de que las placas de sellado estén colocadas según las instrucciones de instalación de las placas de sellado.
- Apague los controles de los quemadores antes de abrir la válvula del cilindro de gas.
- No encienda los quemadores con la tapa cerrada.
- No opere los quemadores traseros simultáneamente con los quemadores principales.
- No cierre la tapa del quemador lateral mientras está en funcionamiento o cuando esté caliente.
- No fría alimentos en el quemador lateral.
- No ajuste las rejillas de cocción mientras la parrilla está en funcionamiento o cuando esté caliente.
- No mueva el aparato durante su uso.
- Cierre el suministro de gas en la fuente después de su uso.



¡CUIDADO!

La tapa de la parrilla y toda la cámara de combustión pueden calentarse mucho durante el uso.

- No modifique el aparato.
- Realice el mantenimiento solo cuando la parrilla esté fría.
- No almacene encendedores, fósforos ni ningún otro material combustible dentro del compartimiento o la bandeja de condimentos.
- Mantenga todos los cables eléctricos y mangueras de suministro de combustible alejados de las superficies calientes.
- Limpie la bandeja de grasa, la bandeja de goteo y las placas de sellado regularmente para evitar acumulación y fuegos de grasa.
- Inspeccione y limpie regularmente el quemador infrarrojo y los tubos venturi del quemador principal para mantenerlos libres de telarañas y otras obstrucciones.
- No permita que el agua fría (lluvia, aspersor, manguera, etc.) entre en contacto con la parrilla caliente. Un cambio inmediato de temperatura dañará la porcelana y agrietará los quemadores de cerámica.
- No utilice una hidrolavadora para limpiar ninguna parte de la parrilla.
- No coloque la parrilla donde pueda estar expuesta a vientos fuertes, especialmente cuando el viento pueda venir directamente desde atrás de la parrilla.
- Asegúrese de que el aparato se mantenga a una distancia segura de construcciones inflamables.
- Nunca cubra más del 75% de la superficie de cocción con metal sólido.
- Mantenga el aparato alejado de materiales inflamables mientras esté en uso.
- La temperatura ambiente mínima de funcionamiento para un uso seguro es de 0 °F (-17,8 °C).
- No almacene nada dentro de la caja de ahumado, excepto la bandeja para astillas de madera.

! IMPORTANT!

- Mantenga siempre las distancias de seguridad adecuadas con respecto a los combustibles:



! ¡ADVERTENCIA!

- La conexión e instalación de la manguera y el gas debe ser realizada por un instalador de gas autorizado y debe realizarse una prueba de fugas antes de operar la parrilla.
- Asegúrese de que las mangueras no entren en contacto con ninguna superficie de alta temperatura de la parrilla.
- Las partes accesibles pueden estar muy calientes. Mantenga alejados a los niños pequeños.
- Mantenga las mangueras de suministro de combustible alejadas de cualquier superficie caliente, bordes afilados o grasa que gotea.

Ubicación de su parrilla

Asegúrese de que la ubicación de su parrilla de gas cumpla con todos los requisitos de distancia respecto a materiales combustibles adyacentes.

Mantenga siempre las distancias de seguridad adecuadas con respecto a los materiales combustibles: 68,6 cm (27 pulgadas) hacia atrás y 17,8 cm (7 pulgadas) hacia los lados.

Este aparato está diseñado para ser utilizado en un patio o jardín.

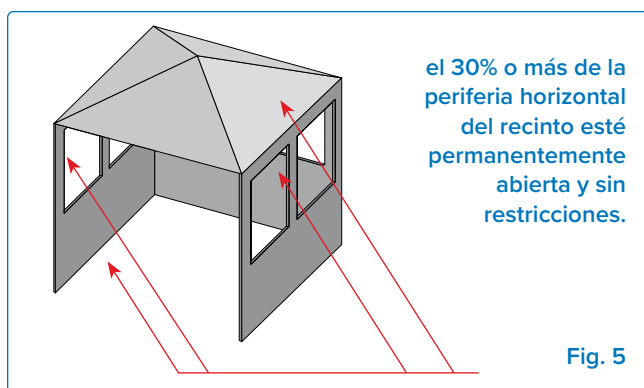
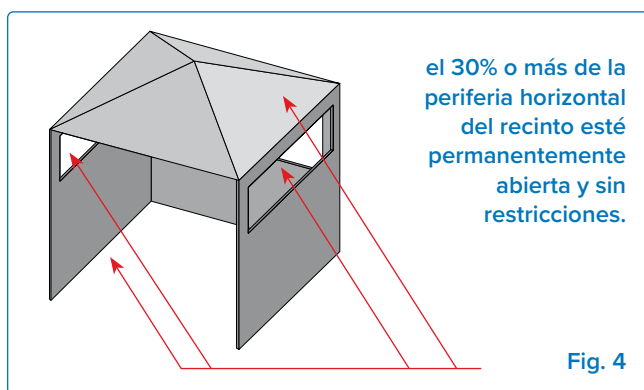
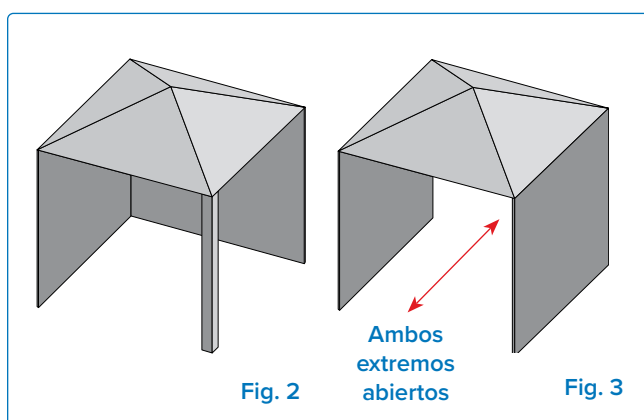
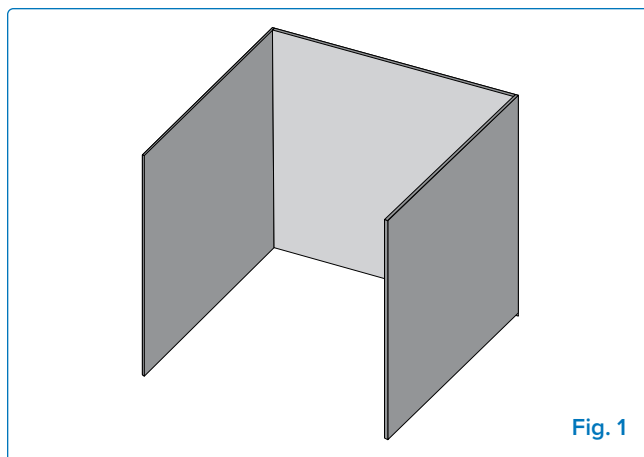
- Utilice el aparato sólo en un lugar al aire libre, por encima del suelo, con ventilación natural y sin zonas estancadas. Asegúrese de que las fugas de gas y los productos de la combustión se dispersen rápidamente por el viento y la convección natural.
- No utilice el aparato en un edificio, garaje u otro espacio cerrado.
- No integre el aparato en una construcción empotrada o deslizante.
- No obstruya las aberturas de ventilación de la caja del cilindro.

Cualquier recinto en el que se utilice el aparato debe cumplir uno de los siguientes requisitos:

- Se considera que el aparato está al aire libre si se instala en un refugio con paredes en tres lados pero sin cubierta superior. **(Fig. 1).**
- Se considera que un aparato está al aire libre si está instalado en un refugio con una cubierta superior y no más de dos paredes laterales.
 - » Las paredes laterales pueden ser paralelas, como en un corredor, o perpendiculares entre sí. **(Fig. 2 y Fig. 3).**
- Se considera que un aparato está al aire libre si está instalado en un recinto con tres paredes laterales y una cubierta superior, siempre que el 30% o más de la periferia horizontal del recinto esté permanentemente abierta. **(Fig. 4 y Fig. 5).**

¡IMPORTANTE!

- Todas las aberturas deben estar permanentemente abiertas.
- Las puertas correderas, puertas de garaje, ventanas o aberturas con mosquitera no se consideran aberturas permanentes.



Conexiones de gas

A una bombona de propano: Opción 1

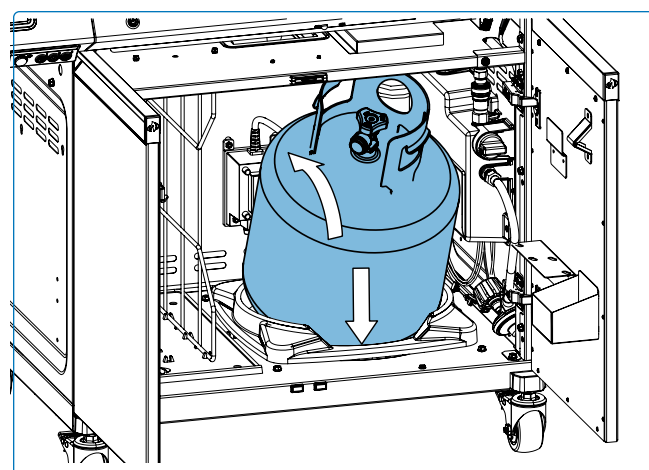
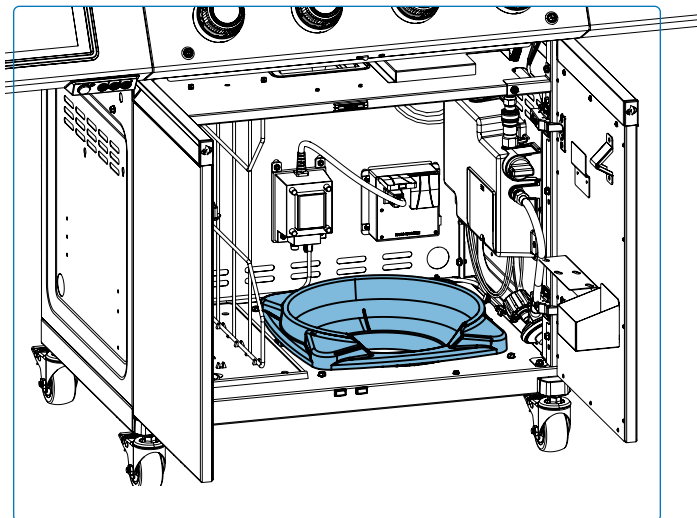
Utilice únicamente una bombona de propano de 9,1 kg (20 lb.) construida y marcada de acuerdo con las Especificaciones para bombonas de gas LP del Departamento de Transporte de EE.UU. (D.O.T.) o la Norma para bombonas, esferas y tubos para el transporte de mercancías peligrosas y la Comisión, CAN/CSA-B339, según corresponda.

Utilice únicamente un regulador de presión de gas especificado por Napoleon. El regulador debe suministrar una presión de 11 pulgadas de columna de agua (0,39 psi) y tener un conector tipo QCC1.

El dispositivo de conexión del cilindro debe ser compatible con la conexión para este aparato exterior.

El cilindro de propano debe tener:

- Una válvula de cierre con conexión QCC1.
- Un dispositivo de alivio de seguridad.
- Un collar para proteger la válvula.
- Un dispositivo de protección contra sobrellenado certificado.

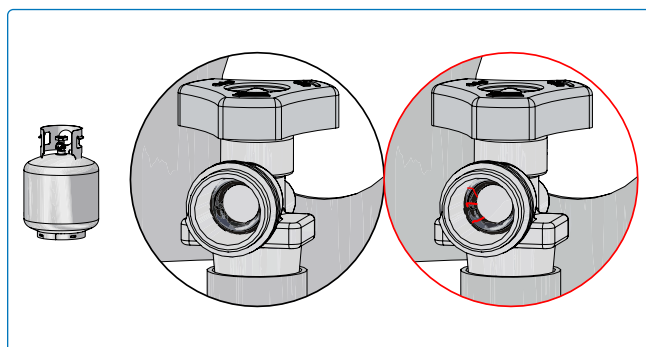
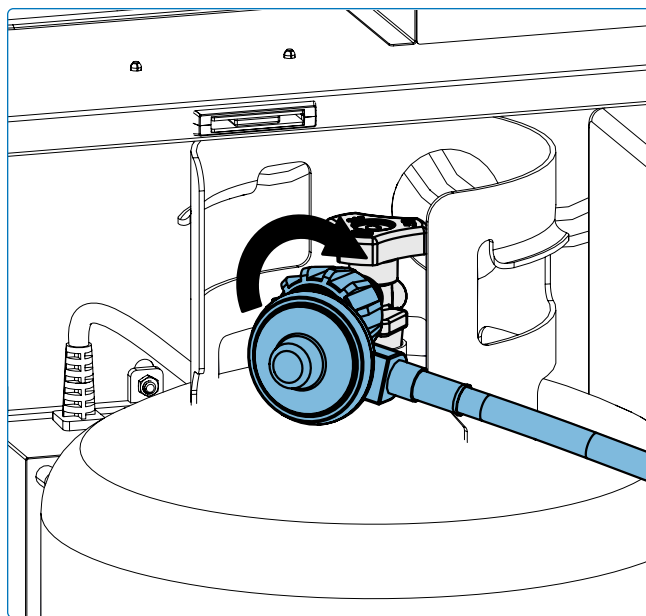


¡ADVERTENCIA!

- No almacene un cilindro de gas de repuesto debajo o cerca del aparato.
- No utilice un cilindro de gas que esté lleno en más del 80%.
- Siga todas las especificaciones e instrucciones con precisión para evitar incendios, explosiones, daños a la propiedad, lesiones personales o la muerte.
- Desconecte la parrilla y su válvula de cierre individual del sistema de tuberías de gas durante cualquier prueba de presión superior a ½ psi (3,5 kPa).

Conexión e instalación

- Revise el cilindro en busca de abolladuras o corrosión y haga que lo inspeccione su proveedor de propano.
- No utilice nunca una botella con la válvula dañada.
- Coloque el cilindro en su área designada en el estante inferior.
- Asegúrese de que la manguera del regulador de gas esté recta y sin torceduras ni dobleces, ya que estos pueden restringir el flujo de gas.
- Retire la tapa o el tapón de la válvula de combustible del cilindro.
- Inserte el niple negro del regulador QCC1 en la válvula de combustible QCC1. Apriete a mano hacia la derecha. No utilice herramientas.
- Asegúrese de que la manguera no entre en contacto con la bandeja de goteo ni con ninguna superficie de alta temperatura de la parrilla, ya que se derretirá y provocará un incendio.
- Realice una prueba de fugas en todas las uniones antes de operar la parrilla. Vea **“Prueba de fugas”**.
- El cilindro debe montarse de forma que la salida de la válvula de alivio de presión no esté orientada hacia la posición normal de funcionamiento del usuario.



NOTA:

- Inspeccione el sello de la válvula del cilindro de gas LP en busca de grietas, desgaste o deterioro cada vez que se reemplace o recargue el cilindro.
- Cualquier cilindro de gas LP que muestre signos de daño o deterioro, incluyendo grietas y picaduras visibles, debe ser devuelto sin usar al vendedor.

A una línea de suministro de gas doméstico: Opción 2

- Si la parrilla se va a conectar directamente a la línea de suministro de gas propano de la casa, desconecte y deseche la manguera y el regulador suministrados y siga las instrucciones de conexión de la línea de gas de la casa. Una manguera aprobada está disponible en su distribuidor de parrillas Napoleon.
- Una manguera de suministro de gas y un conector rápido diseñados para gas natural y certificados para uso en exteriores están incluidos con las parrillas de gas natural.
- La instalación de gas natural debe suministrar una presión de 7 pulgadas de columna de agua a la entrada de la parrilla. La instalación de gas propano debe suministrar una presión de 11 pulgadas de columna de agua a la entrada de la parrilla.
- No se suministran tuberías ni válvulas aguas arriba de la desconexión rápida.
- La tubería de gas debe estar dimensionada para suministrar los BTU/h especificados en la placa de características, en función de la longitud del tramo de tubería.
- Consulte “**¡ADVERTENCIA! Información general**” de este manual para los códigos de instalación.
 1. La conexión a la línea de suministro de gas debe ser realizada por un instalador de gas autorizado y debe realizarse una prueba de fugas antes de operar la parrilla.
 2. No coloque la manguera cerca de la bandeja de goteo ni por encima del panel trasero.
 3. Asegúrese de que la manguera no entre en contacto con superficies de alta temperatura.

Desconexión rápida

- No instale la desconexión rápida en dirección ascendente.
- Debe instalarse una válvula de cierre manual de fácil acceso antes de la desconexión rápida, y lo más cerca posible de ella.
- Conecte el extremo acampanado de la manguera al racor del extremo del tubo distribuidor o del tubo flexible (si procede).
- Apriete con dos llaves. No utilice sellador de roscas ni grasa para tubos.
- Pruebe todas las uniones para detectar fugas antes de operar la parrilla de gas. Consulte “**Prueba de fugas**”.



¡ADVERTENCIA!

- Cierre la válvula de cierre individual para aislar la parrilla del sistema de tuberías de gas durante cualquier prueba de presión igual o inferior a ½ psi (3,5 kPa).
- Compruebe si la manguera presenta abrasión excesiva, derretimiento, cortes o grietas. Si la manguera está dañada, debe ser reemplazada por un conjunto específicamente recomendado por NAPOLEON.



¡CUIDADO!

La tapa de la parrilla y toda la cámara de combustión pueden calentarse mucho durante el uso.

Prueba de fugas

¿Por qué y cuándo realizar una prueba de fugas?

Una prueba de fugas confirma que no hay escapes de gas después de conectar la manguera al suministro de gas.

Cada vez que el tanque se recargue y reinstale, asegúrese de que no haya fugas en la conexión donde el regulador se conecta al tanque.

Realice una prueba de fugas en esta parrilla antes de usarla, anualmente y cuando se reemplace cualquier componente de gas.

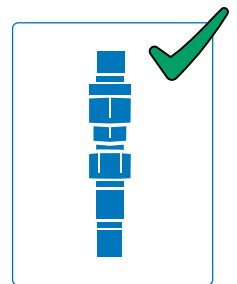
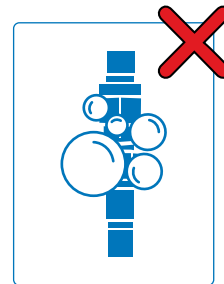
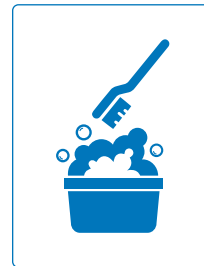
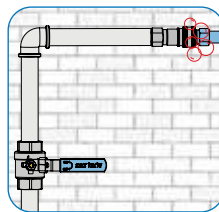
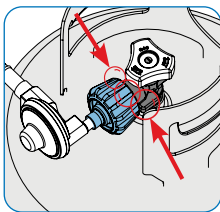
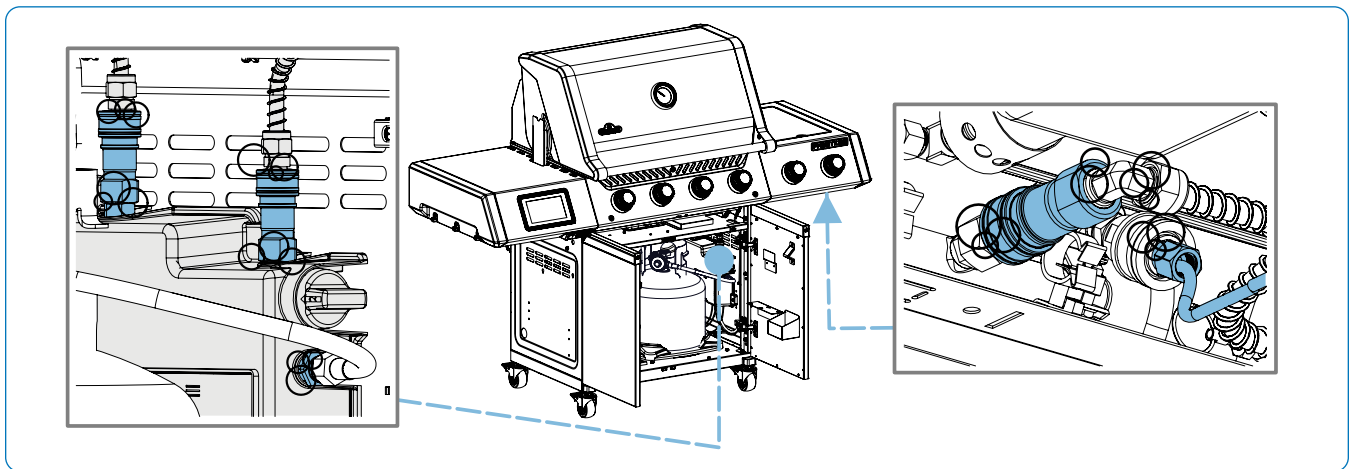
Pasos para la prueba de fugas

1. No fume mientras realiza la prueba.
2. Retire todas las fuentes de ignición.
3. Coloque todos los controles de los quemadores en la posición de APAGADO.
4. Abra la válvula de suministro de gas.
5. Aplique con un cepillo una solución de mitad y mitad de jabón líquido y agua en todas las juntas y conexiones del regulador, la manguera, los colectores y las válvulas.

6. Las burbujas indican una fuga de gas.

Si encuentra una fuga

1. Apriete todas las juntas sueltas.
2. Si la fuga no puede detenerse, cierre inmediatamente el suministro de gas y desconecte la parrilla.
3. Haga que la parrilla sea inspeccionada por un instalador certificado o un distribuidor.
4. No utilice la parrilla hasta que la fuga haya sido reparada.



¡PELIGRO!

- Nunca utilice una llama abierta para verificar fugas de gas. Las chispas o las llamas pueden provocar un incendio, una explosión, daños materiales,

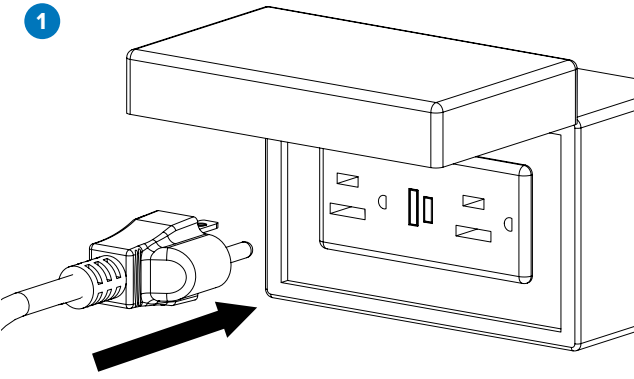
lesiones físicas graves o la muerte.

- Utilice únicamente el regulador de presión y el conjunto de manguera

suministrados con la parrilla, o uno que cumpla con las normativas locales.

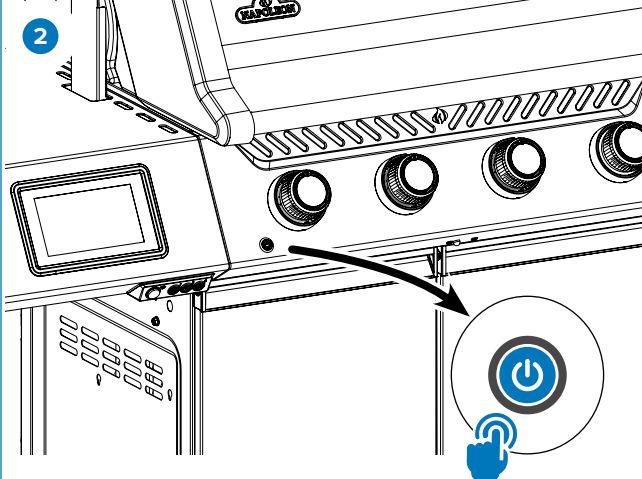
Instrucciones de inicio rápido

1



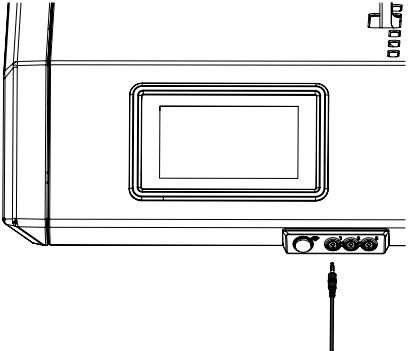
Conecte directamente a una toma de corriente con conexión a tierra GFI (interruptor diferencial). Consulte a un electricista si no está seguro.

2



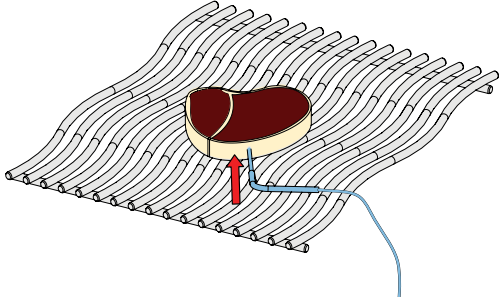
Presione el botón de encendido para activar la unidad.

3




Retire el plástico protector y conecte una o más sondas a su aparato.

4



Cuando utilice sondas para carne, asegúrese de que la punta de la sonda esté insertada en la parte más gruesa del alimento, evitando huesos o grasa.

5



Siga las instrucciones en la siguiente sección para conectarse a la aplicación Napoleon Home. ¡Disfrute su comida!

Conectividad Napoleon

APLICACIÓN NAPOLEON HOME

¿CÓMO FUNCIONA?



Acceda a su aparato de forma remota descargando la **aplicación Napoleon Home** desde la App Store o Google Play.

Para acceder a la aplicación, deberá crear una cuenta siguiendo las instrucciones indicadas en la aplicación (vea abajo para más detalles).

Al vincular su aparato con la **aplicación Napoleon Home** mediante Wi-Fi, obtiene control sobre todos los modos y funciones del aparato.

Todas las notificaciones y alarmas se envían a través de la aplicación para mantenerlo conectado fácilmente.



Escanee este código QR para acceder directamente al sitio web de la **aplicación Napoleon Home**.



COMENCEMOS

1 Registrar



Registre una cuenta en la **aplicación Napoleon Home** O inicie sesión usando la información de su cuenta de Facebook, Google o Apple.

2 Crear



Ingrese la información del usuario y cree una contraseña para la cuenta. Seleccione el país en el que se encuentra el aparato.

3 Casi listo



La información ingresada en el Paso 3 se registrará en la **aplicación Napoleon Home** y se enviará una confirmación al correo electrónico proporcionado.

4 Confirmar

Abra la bandeja de entrada del correo electrónico y seleccione el enlace de confirmación. **Nota:** El enlace de confirmación debe abrirse en el dispositivo donde está instalada la aplicación Napoleon Home.



5 Reconfirmar



Si no se encuentra ningún correo electrónico, haga clic en "Reenviar enlace de confirmación" y revise la carpeta de correo no deseado.

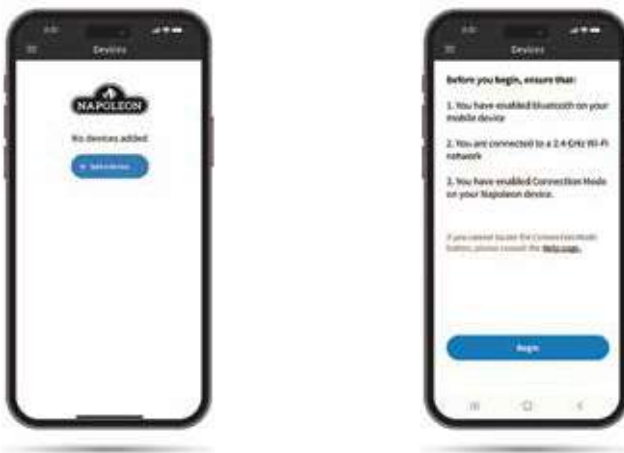
AGREGANDO UN DISPOSITIVO

6 Encender

Asegúrese de que su dispositivo esté encendido presionando brevemente el botón de encendido en el panel de control. Consulte la Guía de Activación del Modo de Emparejamiento para más pasos.



7 Agregar dispositivo



Seleccione “Agregar dispositivo” y acepte los permisos.

8 Buscar



Busque dispositivos y seleccione el dispositivo de la lista.

9 Conexión de red



Seleccione la red Wi-Fi e ingrese sus credenciales.

10 Agregar apodo



Ingrese un nombre personalizado para su dispositivo o continúe con el nombre predeterminado.

11 ¡Éxito!



Guía de activación del modo de emparejamiento

Para habilitar el modo de emparejamiento en la parrilla, siga una de las dos opciones a continuación. El modo de emparejamiento le permite configurar la parrilla utilizando una aplicación móvil para conectarla a la nube/aplicación. El botón del panel de control parpadeará en blanco cuando el modo de emparejamiento se haya activado correctamente.

Opción 1: Restablecer red a través de la configuración de Wi-Fi

Acción:

Active el modo de emparejamiento restableciendo la red en la configuración de Wi-Fi.

Pasos a realizar:

1. Encienda la pantalla y espere hasta que el proceso de inicio se complete.
2. Restablezca la red utilizando el ícono de Wi-Fi: Toque el ícono de Wi-Fi en la pantalla. En el menú Wi-Fi, seleccione **Restablecer red**.

Resultado:

El botón del panel de control comenzará a parpadear en blanco, indicando que el sistema está en modo de emparejamiento. Ahora puede configurar el dispositivo usando la aplicación móvil para completar la configuración.

Opción 2: Activación por pulsación prolongada

Acción:

Active el modo de emparejamiento manteniendo presionado el botón de encendido del panel de control.

Pasos a realizar:

1. Asegúrese de que la pantalla esté activa.
2. Mantenga presionado el botón de encendido del panel de control durante **10 segundos**.

Resultado:

El botón del panel de control comenzará a parpadear en blanco, indicando que el sistema está en modo de emparejamiento. En este punto, puede proceder a configurar el dispositivo a través de la aplicación móvil.



NOTA:

- Elija cualquiera de las opciones anteriores para activar el modo de emparejamiento y conectar el sistema a la nube.

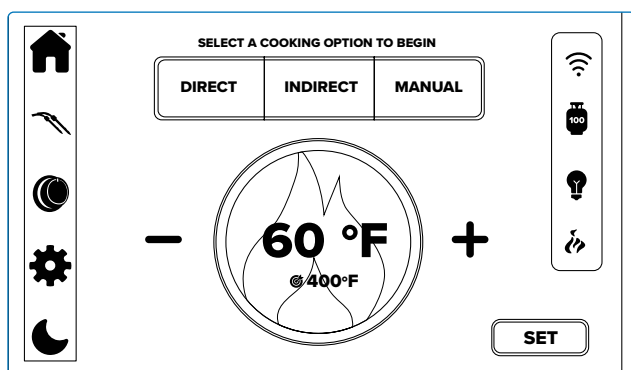
Descripción general y funcionamiento del sistema

Características de control (si está equipado)

Las funciones de control modernas mejoran la cocción de precisión al automatizar la gestión del calor, optimizar la eficiencia del combustible y garantizar resultados consistentes. Estas funciones avanzadas le permiten personalizar su experiencia según sus necesidades de cocción. Ya sea sellando a alta temperatura, manteniendo un ahumado lento y bajo, o usando preajustes para diferentes alimentos, estos controles avanzados aportan comodidad y precisión a su cocina al aire libre.

Su parrilla Prestige® PRO Series está equipada con un sistema de control de última generación que es compatible con Wi-Fi y está integrado en el ecosistema de la aplicación Napoleon Home.

Antes de comenzar a usar la parrilla, familiarícese con las diferentes funciones de la pantalla.



Por su seguridad, las funciones de cocción no pueden iniciarse de forma remota. Debe estar físicamente presente en la parrilla para activar cualquier quemador o modo de cocción. Esto garantiza una supervisión adecuada durante el encendido y ayuda a prevenir la activación accidental o desatendida del aparato.

Inicialización

Conecte la parrilla a una toma de corriente eléctrica exterior debidamente aterrizada para utilizar los controles digitales y las funciones electrónicas periféricas.



Presione brevemente el botón de encendido en el lado izquierdo del panel de control para iniciar la secuencia de arranque.

Modos automáticos

Modo directo

Sellado a alta temperatura para alimentos de cocción rápida.

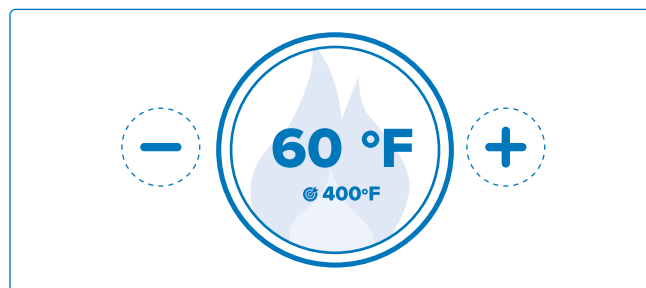
Coloque los alimentos directamente sobre el calor en las rejillas de cocción para un sellado perfecto, conservando los jugos y el sabor. Ideal para hamburguesas, bistecs, pollo y verduras. Para cortes más gruesos, selle primero y luego baje la temperatura de la parrilla o cambie al modo indirecto para terminar la cocción al punto deseado.

Todos los quemadores principales se ajustan automáticamente para mantener la temperatura establecida entre 320°F y 580°F (160°C – 290°C), asegurando un control de calor constante durante todo el proceso de cocción.

1. Seleccione la opción de cocción **DIRECTO** en la pantalla.



2. Utilice los iconos +/- en la pantalla para seleccionar la temperatura.



3. Presione Set.



4. Espere a que la pantalla indique que los quemadores están listos para encenderse. Todos los mandos de control de los quemadores principales comenzarán a parpadear en blanco, indicando que todos los quemadores principales deben encenderse manualmente.



5. Siga las instrucciones en la sección "**Encendido de su parrilla**" para encender todos los quemadores principales. Ajuste todos los mandos de control exactamente a su configuración más alta.



¡IMPORTANTE!

- Si algún quemador se ajusta a cualquier configuración que no sea la máxima, el sistema volverá al **Modo Manual**.

6. Coloque su comida una vez que la parrilla esté precalentada a su satisfacción y cierre la tapa.

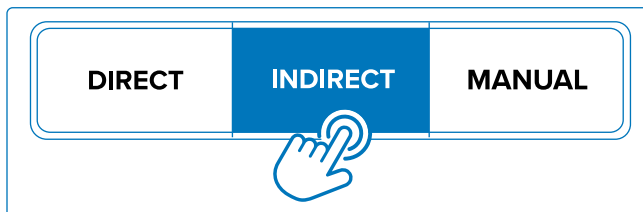
Modo Indirecto

Cocción lenta y uniforme a temperaturas más bajas con calor circulante.

Este modo es ideal para cortes grandes de carne o alimentos propensos a llamaradas, como asados, pollos enteros y pavos. La temperatura más baja y el tiempo de cocción prolongado ayudan a obtener resultados tiernos y llenos de sabor.

Algunos quemadores principales se ajustan automáticamente para mantener un rango de temperatura objetivo de 220°F – 380°F (110°C – 190°C) para un control de calor constante.

1. Seleccione la opción de cocción **INDIRECTA** en la pantalla.



Las luces de los mandos de control de los quemadores principales específicos comenzarán a parpadear en blanco, indicando que los quemadores principales deben encenderse manualmente.



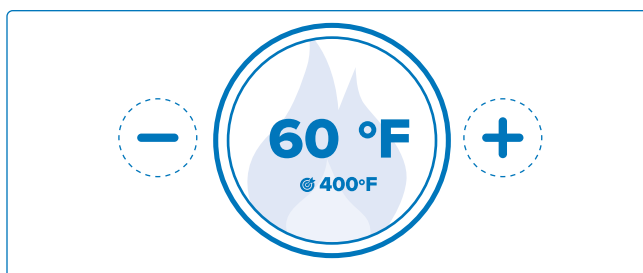
2. Siga las instrucciones en "**Encendido de su parrilla**" para encender los quemadores principales indicados. Ajuste todos los mandos de control exactamente a su configuración más alta.



¡IMPORTANTE!

- Si algún quemador se ajusta a cualquier configuración que no sea la máxima, el sistema volverá al **Modo Manual**.

3. Utilice los iconos +/- en la pantalla para seleccionar su temperatura.



4. Coloque su comida sobre un área sin un quemador encendido debajo. Cierre la tapa.

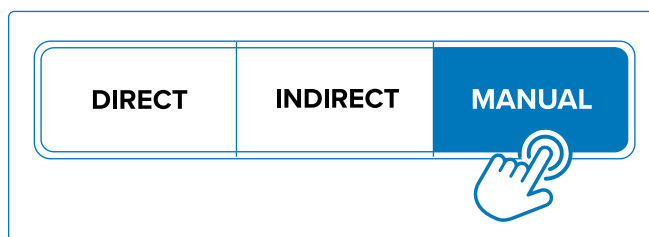
5. Si lo desea, introduzca un sellado a alta temperatura al final de su sesión de cocción indirecta cambiando al Modo Directo. Alternativamente, utilice el quemador lateral infrarrojo.

Modo Manual

Mantenga el control total sobre cada quemador.

Utilice los mandos de control para ajustar los niveles de calor de forma independiente, configurándolos en cualquier posición según sus necesidades de cocción. Este modo es perfecto para asados personalizados y para gestionar múltiples zonas de calor para diferentes alimentos. El modo manual proporciona la máxima flexibilidad, permitiéndole ajustar su experiencia de asado sin automatización de temperatura preestablecida, mientras sigue teniendo acceso a funciones auxiliares inteligentes y otras funciones eléctricas.

1. Seleccione la opción de cocción **MANUAL** en la pantalla.



2. La luz del mando de control del quemador principal más a la izquierda comenzará a parpadear en blanco, indicando que debe encenderse manualmente.



¡IMPORTANTE!

- Este quemador debe permanecer encendido durante todo el uso del Modo Manual, o el sistema se apagará.



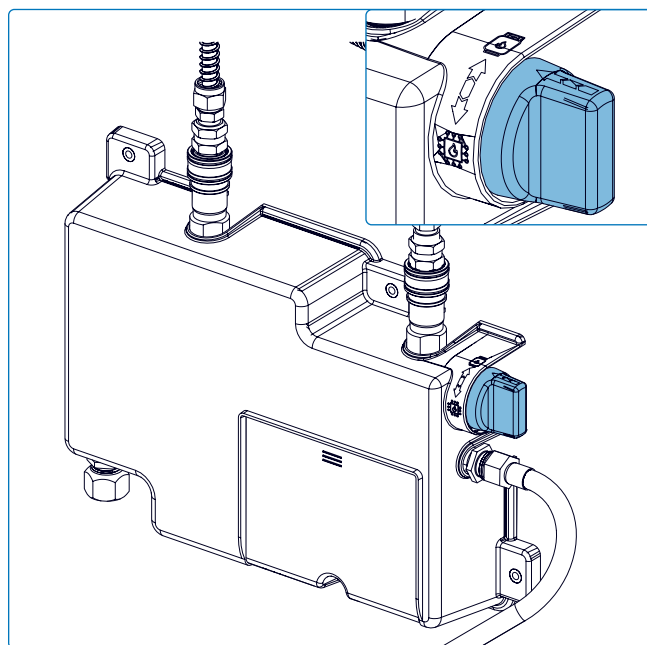
3. Siga las instrucciones en la sección **"Encendido de su parrilla"** para encender el quemador principal indicado.
4. Siga el mismo procedimiento para encender cualquier otro quemador principal según desee. Module la configuración de los mandos de control para lograr sus zonas de calor preferidas.

Modo Tradicional

Una experiencia de asado simplificada sin asistencia electrónica.

La parrilla puede funcionar como una parrilla de gas tradicional completamente manual, sin controles digitales de gas. Aunque funciones como los ajustes automáticos están deshabilitadas, las funciones principales de asado siguen estando completamente operativas. Asegurando que aún pueda cocinar con confianza, incluso durante un corte de energía. Las funciones electrónicas periféricas aún pueden utilizarse en modo bypass siempre que el aparato tenga energía.

1. Para activar la válvula bypass de los quemadores principales, localice el módulo de control (montado dentro del compartimento del carrito de la parrilla), luego presione y gire la perilla a la posición ON.



2. Siga las instrucciones en la sección **"Encendido de su parrilla"** para encender los quemadores que desee.

Ahumador

Mejore su experiencia de asado con un rico sabor a leña utilizando el sistema de ahumador integrado*. Cuando se selecciona el Modo Ahumado, la caja del ahumador se activa automáticamente y canaliza humo aromático al compartimento principal de cocción para obtener resultados auténticos al estilo barbacoa. Esta función añade sabor a carnes, verduras y más. Perfecto para sesiones de cocción lenta y a baja temperatura.

El ahumador debe encenderse y estar emitiendo humo antes de encender cualquier quemador. El mejor rendimiento se logra con 1-2 quemadores en bajo. El indicador en la tapa debe estar siempre en la sección de ahumado

Encendido

1. Llene la caja del ahumador: agregue astillas de madera, o una mezcla de astillas y trozos o pellets, hasta que la caja esté casi llena. No use carbón. Consulte el folleto **“Configuración de su ahumador”** para más detalles.
2. Seleccione el ícono de humo en la pantalla. Siga las instrucciones de la pantalla para encenderlo.



Tras la secuencia de encendido, el elemento de encendido de las astillas de madera se apagará y el ventilador proporcionará humo continuo hasta que se agote el suministro de astillas de madera o transcurra una hora sin que se inicie una nueva secuencia de encendido.

Una vez iniciado el encendido, el ventilador no se puede apagar. Se trata de una importante función de seguridad diseñada para evitar una combustión descontrolada dentro del ahumador. El ventilador del ahumador se apagará automáticamente una vez completado el ciclo de enfriamiento (aproximadamente 2 horas) o tras 3 horas de inactividad.automáticamente después de que finalice el ciclo de enfriamiento (aprox. 2 horas), o después de 3 horas de inactividad.

Reencendido

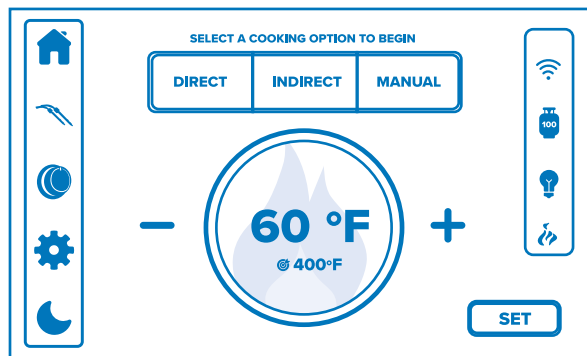
La opción de reencendido no está disponible hasta 15 minutos después de la conclusión de la secuencia de encendido. Cuando se agoten las astillas de madera, pero desee extender la sesión:

1. Abra la puerta del ahumador para acceder a la bandeja de astillas de madera. El acceso a la puerta del ahumador está equipado con un interruptor de seguridad para evitar el funcionamiento del elemento calefactor cuando la puerta está abierta.
2. Desbloquee la herramienta y engánchela con la parte frontal de la bandeja de astillas de madera. Desbloquee la herramienta y deslice cuidadosamente la bandeja de astillas de madera hacia afuera para rellenarla fácilmente sin retirarla del aparato. Consulte el folleto **“Descripción general de la herramienta”**.
3. Utiliza pinzas de metal para redistribuir las astillas de madera usadas, moviéndolas hacia la parte delantera y trasera de la bandeja. Despejar un espacio en la malla metálica ayudará a la re-ignición de astillas de madera nuevas. No retires ninguna astilla caliente de la cámara. Consulta la sección **“Configuración de tu ahumador”**.
4. Agrega una capa nueva de astillas de madera, asegurando un buen contacto con la fuente de calor para un encendido más rápido y un humo constante.
5. Utiliza la herramienta para volver a instalar la bandeja de astillas de madera. Cierra y trava la puerta del ahumador.
6. Mantén presionado el botón en la unidad del ahumador durante 2 segundos. El botón parpadeará en rojo indicando que la etapa de re-ignición está en progreso (~4 minutos).

**NOTA:**

- El usuario debe esperar 15 minutos para que la opción de re-ignición vuelva a estar disponible. Este temporizador de 15 minutos está diseñado para evitar ciclos excesivos de calor en el ahumador.
 - El encendido y la re-ignición pueden cancelarse en cualquier momento seleccionando esta opción en la pantalla, o manteniendo presionado el botón durante 5 segundos (según corresponda a tu modelo).
7. Para lograr el apagado completo del ahumador, debes dejarlo inactivo (sin re-ignición) durante 1 hora para iniciar el proceso de apagado total (3 horas en total). Durante las últimas 2 horas, el ventilador permanecerá en funcionamiento para evitar el retroceso del humo.
 8. Después de que el ahumador se haya enfriado por completo, vacía la bandeja de astillas de madera y desecha los restos en un recipiente ignífugo con tapa hermética.

Funciones de control adicionales



Apagado automático de gas

La parrilla apaga automáticamente el gas si la temperatura supera los 850 °F (454 °C), lo que evita incendios por grasa. Cuando se activa, todos los quemadores se detienen, las luces rojas parpadean y aparece una notificación en la pantalla y en la aplicación Napoleon Home.

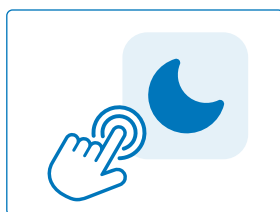


NOTA:

- La función de apagado se desactiva mientras el sistema está en modo de derivación.
- Se ha eliminado el color rojo de seguridad de todas las selecciones de color y animaciones para evitar confusiones con un quemador encendido.
- El apagado programado solo se produce después de que finalice la cocción o el ahumado, seguido de un recordatorio de limpieza y el apagado estándar.

Bloqueo/Desbloqueo de pantalla

Por motivos de seguridad y para evitar cambios accidentales, la pantalla se puede bloquear automáticamente. Para bloquearla o desbloquearla, mantenga pulsado el icono de la luna de la pantalla durante 3 segundos. De este modo, la pantalla dejará de responder a otras entradas.



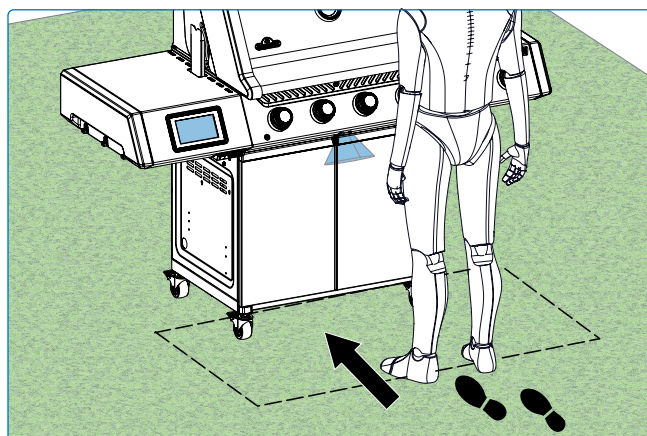
¡IMPORTANTE!

- El bloqueo de la pantalla no cierra el gas ni bloquea los mandos.

Las gotas de agua pueden afectar a la sensibilidad táctil. Se recomienda bloquear la pantalla si se utiliza la parrilla bajo la lluvia.

Detección de proximidad

Un sensor de proximidad integrado detecta el movimiento cercano y activa automáticamente la pantalla. Esta funcionalidad manos libres garantiza que la pantalla solo esté activa cuando sea necesario, conservando energía mientras proporciona acceso instantáneo a los controles de la parrilla y actualizaciones de estado a medida que te acercas. Utilice el ícono de engranaje en la pantalla para ajustar cuánto tiempo permanece activa la pantalla, desde 15 hasta 60 minutos (en incrementos de 5 minutos).



Iluminación y animaciones

Las animaciones de iluminación vibrantes de los mandos de control añaden estilo y personalidad a tu experiencia de asado. Selecciona el icono del mando de control en la pantalla para elegir entre una variedad de efectos dinámicos. Ajusta el brillo usando el control deslizante.



Activa las luces de almacenamiento a través del menú de iluminación. Selecciona ENCENDIDO para activar las luces de almacenamiento blancas. Selecciona APAGADO para igualar el color actual de las luces de los mandos de control. Selecciona el brillo mínimo para apagar completamente las luces. Activa o desactiva las luces del gabinete y la campana para asegurar una visibilidad clara.

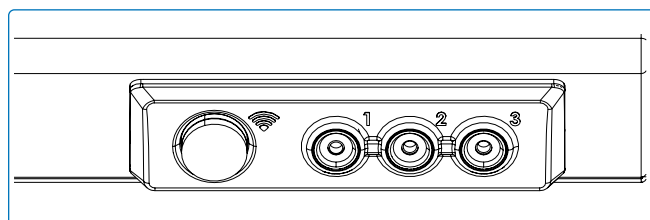
Mandos de control sensibles

A medida que se ajusta la configuración del quemador, la parte interior del mando de control cambia suavemente de color, indicando visualmente la configuración actual del quemador. Esta respuesta intuitiva facilita el control de la intensidad de la llama de un solo vistazo, incluso con poca luz. Para mayor seguridad, la iluminación circundante cuenta con la tecnología SafetyGlow™, que se ilumina en rojo cada vez que se enciende un quemador para proporcionar una señal visual instantánea.



Sondas de temperatura para alimentos

Conecta hasta dos sondas inalámbricas (disponibles por separado) y hasta tres sondas con cable para un monitoreo de temperatura preciso y flexible. Después de instalar las sondas, toca el icono de la sonda en la pantalla para seleccionar el tipo de alimento que se está cocinando y establecer la temperatura objetivo deseada. Una vez que cualquier sonda alcance la temperatura establecida, sonará una alerta y se enviará una notificación a través de la aplicación Napoleon Home.



NOTE:

El emparejamiento de sondas inalámbricas se completa siguiendo las instrucciones que aparecen en pantalla. Siga las instrucciones que aparecen en pantalla para conectar sus sondas fácilmente.

Balanza de tanque

Manténgase informado con la báscula integrada para tanques, diseñada para mostrar con precisión la cantidad de propano que queda en su tanque.



Mediante sensores de peso de precisión, el sistema le ofrece información en tiempo real sobre los niveles de combustible, indicando el porcentaje de llenado actual. Para garantizar lecturas precisas, introduzca el peso del tanque vacío y lleno utilizando la aplicación Napoleon Home App durante la configuración inicial. Para mayor comodidad, la aplicación también ofrece una función de selección de tanques regionales, lo que le permite elegir rápidamente entre una lista de tipos de tanques comunes para facilitar la configuración.

Encendido de su parrilla

¿Es la primera vez? Realiza un quemado inicial

Retira la rejilla para mantener caliente y enciende los quemadores principales a máxima potencia durante 30 minutos. Es normal que la parrilla emita un olor la primera vez que se enciende. Este olor es causado por el “quemado” de pinturas y lubricantes internos utilizados en el proceso de fabricación y no volverá a ocurrir.

¡ADVERTENCIA!

- No opere el quemador trasero o lateral mientras realiza una limpieza por quemado.

Encendido del quemador principal

1. Abre la tapa de la parrilla.
2. Presiona y gira lentamente cualquier mando de quemador principal en sentido antihorario hasta la posición ALTA hasta que se encienda el piloto. Continúa presionando el mando de control hasta que el quemador se encienda y luego suéltalo (Fig. 6A y Fig. 7).
3. Si el piloto no se enciende, gire inmediatamente el mando de control en sentido horario hasta la posición de APAGADO. Repite el paso 2.
4. Si el piloto y el quemador no se encienden en 5 seg., gira el mando de control en sentido horario hasta la posición de APAGADO. Espera 5 min. para que el gas se disipe. Repite los pasos 2 y 3, o enciende con un fósforo.

Encendido del quemador trasero

1. Abre la tapa de la parrilla.
2. Retire la rejilla calentadora.
3. Presione y gire lentamente la perilla del quemador trasero en sentido contrario a las agujas del reloj hasta la posición ALTA (Fig. 6D y Fig. 7).
4. Mantenga presionado el botón del encendedor hasta que se encienda el quemador, o enciéndalo con un fósforo (Fig. 6C).
5. Si el quemador no se enciende, gire la perilla de control del quemador en sentido horario hasta la posición OFF. Espere 5 minutos. Repita los pasos 3 y 4 (Fig. 6).

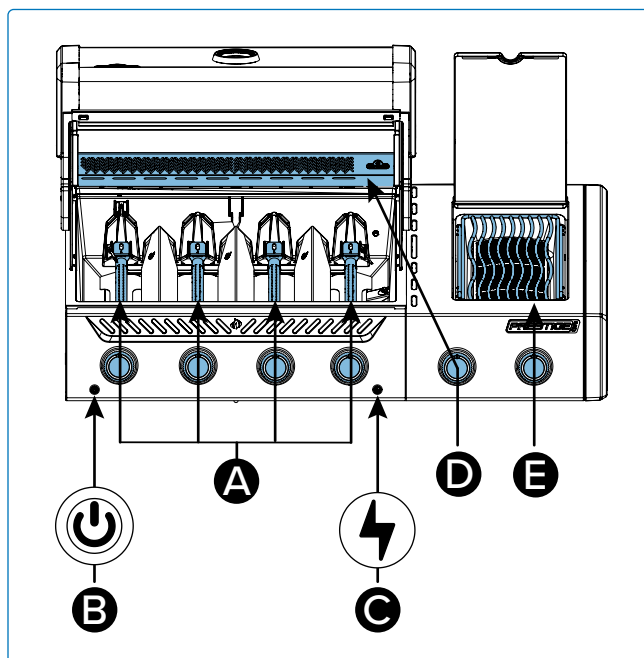


Fig. 6

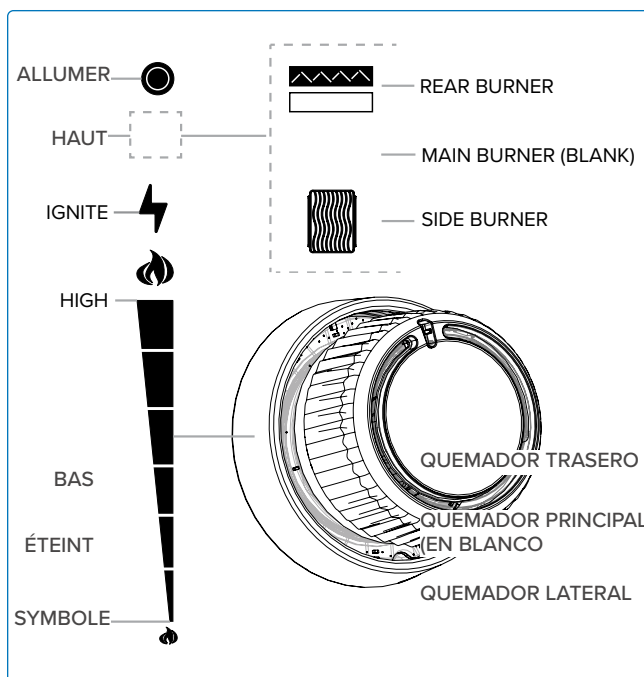


Fig. 7

¡ADVERTENCIA!

- No use el quemador trasero mientras esté funcionando el quemador principal. Puede utilizar el quemador infrarrojo con el quemador principal o con el trasero.

Encendido del quemador lateral

1. Abra la tapa del quemador.
2. Presione y gire lentamente la perilla del quemador lateral en sentido antihorario hasta la posición ALTA.
3. Presione y mantenga presionado el botón del encendedor hasta que se encienda el quemador, o enciéndalo con un fósforo.
4. Si el quemador no se enciende en 5 segundos, gire la perilla de control del quemador en sentido horario hasta la posición APAGADO. Espere 5 minutos. Repita los pasos 2 y 3 (**Fig. 6E y Fig. 7**).

Instrucciones alternativas de encendido

1. Abra la tapa de la parrilla.
2. Encienda un fósforo largo o un encendedor de butano y colóquelo cerca de los puertos del quemador.
3. Gire la perilla correspondiente del quemador en sentido antihorario a la posición ALTA hasta que encienda (**Fig. 8 y 9**).

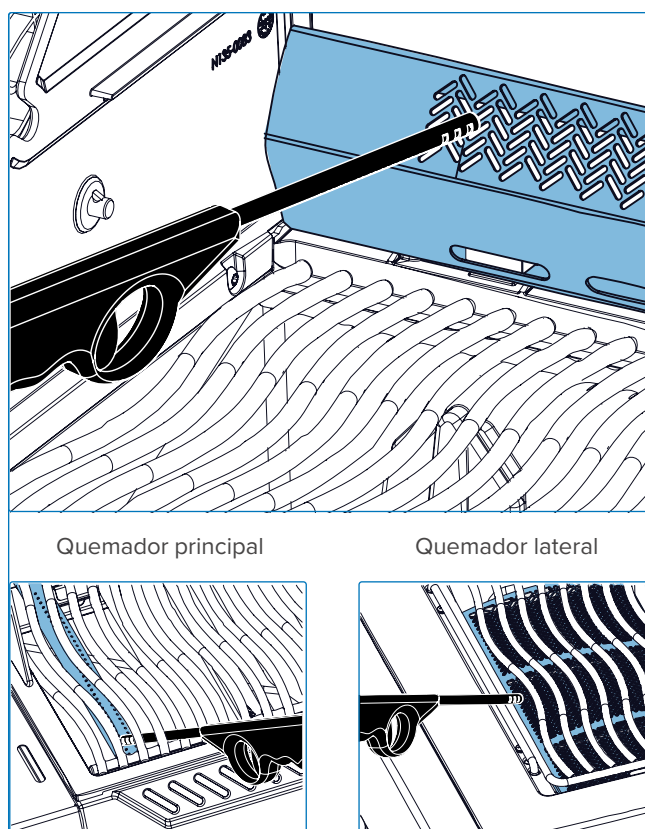
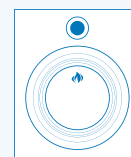


Fig. 8

¡ADVERTENCIA!

- Asegúrese de que todos los mandos de los quemadores están en la posición OFF antes de abrir lentamente la válvula de suministro de gas.
- Siga atentamente las instrucciones de iluminación.
- Asegúrese de que la tapa de la parrilla esté ABIERTA al encenderla.
- No ajuste las rejillas de cocción mientras la parrilla esté caliente o en funcionamiento.
- Limpie regularmente la grasa de toda la unidad, incluyendo la bandeja de grasa y las placas de sellado, para evitar acumulaciones e incendios de grasa.



Monitoreo de las temperaturas de la parrilla

Todos los modelos están equipados con dos indicadores de temperatura. Un medidor montado en la tapa indica la temperatura del aire dentro del compartimiento de cocción y es la referencia preferida para el método de cocción indirecta.

Un sensor montado en la base mide la temperatura en las rejillas de cocción y es la referencia preferida para el método de cocción directa. Si bien el flujo de aire optimizado en todo el compartimiento de cocción maximiza las tasas de calentamiento y la uniformidad de la temperatura, varios factores influyen en las lecturas de temperatura, incluyendo:

Colocación de alimentos y accesorios

- Los alimentos grandes o los accesorios de cocina, como planchas y parrillas, pueden atrapar el calor sobre el sensor de temperatura de la rejilla de cocción. Esto puede provocar lecturas elevadas en el sensor y, al mismo tiempo, reducir las lecturas del medidor de temperatura de la tapa, ya que el calor se dirige a otro lugar.

Quemadores en funcionamiento

- Las lecturas de temperatura se ven afectadas por los ajustes de los quemadores, así como por la proximidad del sensor montado en la base a los quemadores de la parrilla que están en funcionamiento.

Tiempo transcurrido

- Los indicadores de temperatura tienen diferentes tiempos de respuesta y pueden mostrar lecturas variadas al principio mientras el aparato se calienta. Sin embargo, se obtendrán lecturas similares una vez que las temperaturas internas se hayan estabilizado.

Para obtener los mejores resultados, utilice la función del sensor de temperatura junto con el medidor de temperatura de la tapa para comparar completamente el entorno de cocción con su rango objetivo. Permita que las temperaturas se establezcan y ajuste los controles de los quemadores según sea necesario.

Uso del quemador principal infrarrojo (si está equipado)

Siga las "**Instrucciones de encendido del quemador principal**" y opere a máxima potencia durante 5 minutos con la tapa cerrada o hasta que los quemadores cerámicos brillen en rojo.

Cocine los alimentos directamente sobre la(s) rejilla(s) siguiendo las instrucciones de la "**Guía de parrilla infrarroja**". Los alimentos pueden sellarse en el quemador infrarrojo y luego transferirse a los quemadores principales de la parrilla para terminar de cocinarse con calor directo o indirecto, según su gusto y preferencia.

Uso del quemador lateral infrarrojo

Siga las instrucciones de "**Encendido del quemador lateral**" y opere a máxima potencia durante 5 min. o hasta que el quemador cerámico brille en rojo.

Cocine los alimentos directamente sobre la(s) rejilla(s) siguiendo las instrucciones de la "**Guía de parrilla infrarroja**". Los alimentos pueden sellarse en el quemador infrarrojo y luego transferirse a los quemadores principales de la parrilla para terminar de cocinarse con calor directo o indirecto, según su gusto y preferencia.

No cierre la tapa del quemador lateral mientras el quemador esté en funcionamiento o caliente.



¡PELIGRO!

- Limpie regularmente la grasa de toda la unidad, incluyendo la bandeja de grasa y las placas de sellado, para evitar acumulaciones e incendios de grasa.
- No fría alimentos en el quemador lateral. Cocinar con aceite puede ser peligroso.
- No cierre la tapa del quemador lateral mientras el quemador infrarrojo esté en uso o aún esté caliente. Hacerlo puede causar daños o representar un riesgo de seguridad.

Protector contra el viento

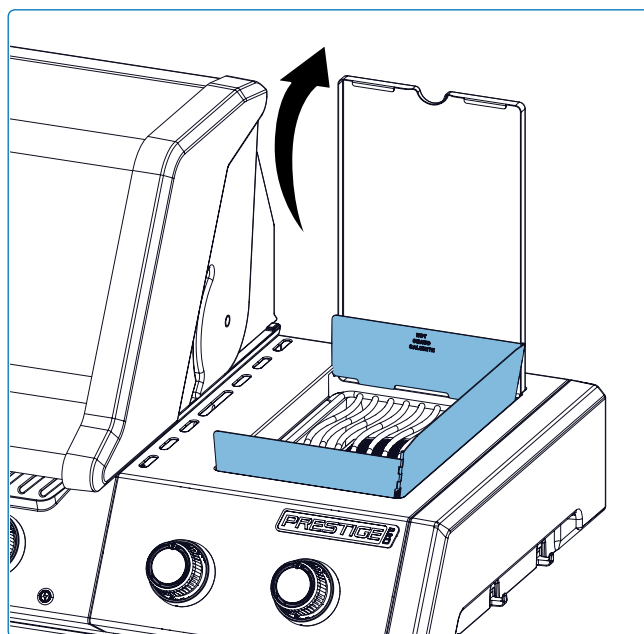
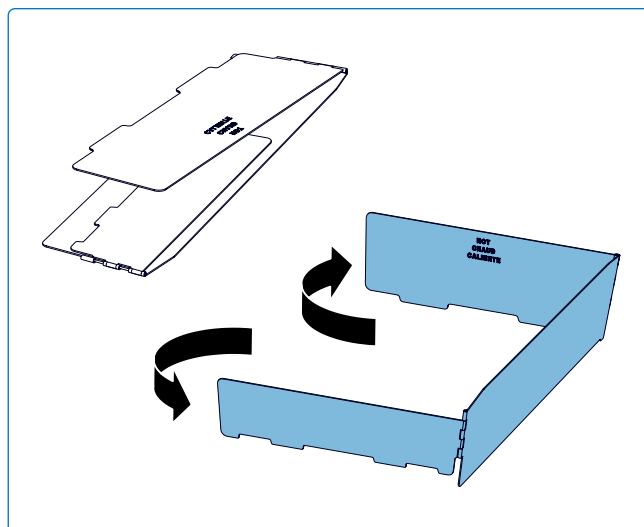
Mantenga su parrilla cocinando sin problemas en condiciones de viento de hasta 10 mph (16 km/h). Diseñado para acoplarse fácilmente a su parrilla, este protector actúa como un escudo contra las ráfagas de viento, ayudando a mantener un calor constante para comidas cocinadas uniformemente.

Simplemente ajústelo para que se adapte a su parrilla y estará listo para asar con confianza, sin importar el clima. El protector se puede plegar y guardar debajo de la tapa del quemador lateral para facilitar el almacenamiento cuando el quemador lateral no esté en uso.



NOTA:

El protector contra el viento debe instalarse cuando se utilice el quemador lateral. Esto mejora la seguridad y reduce los tiempos de cocción.



¡CONSEJO DE UN PROFESIONAL DE LA PARRILLA!

Gire la parrilla perpendicular a la dirección del viento para minimizar sus efectos.

Cómo usar el asador giratorio

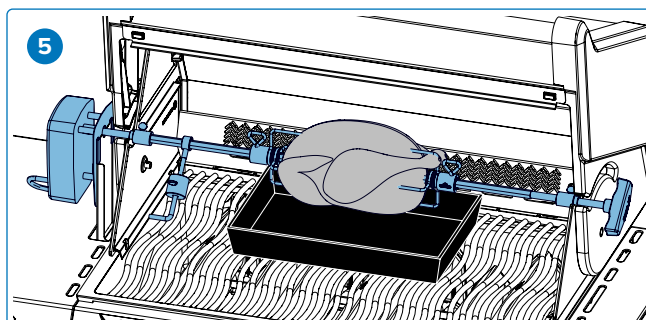
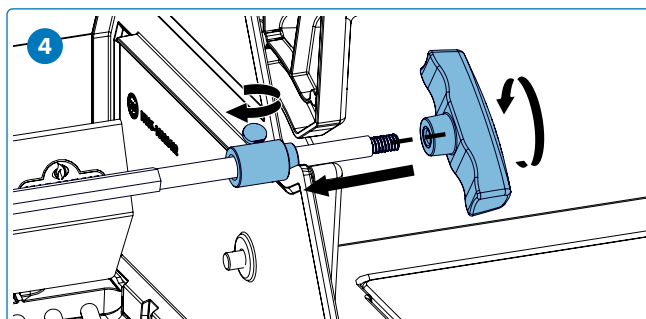
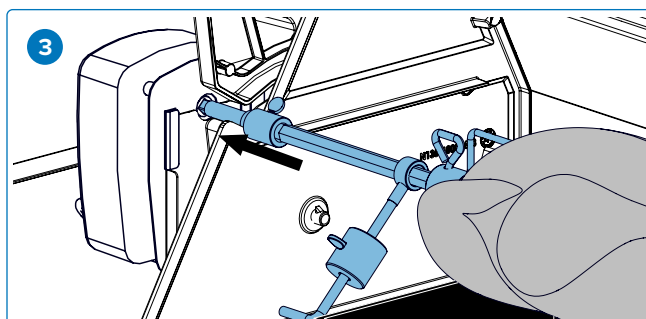
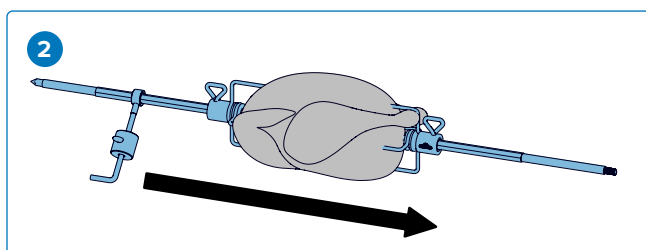
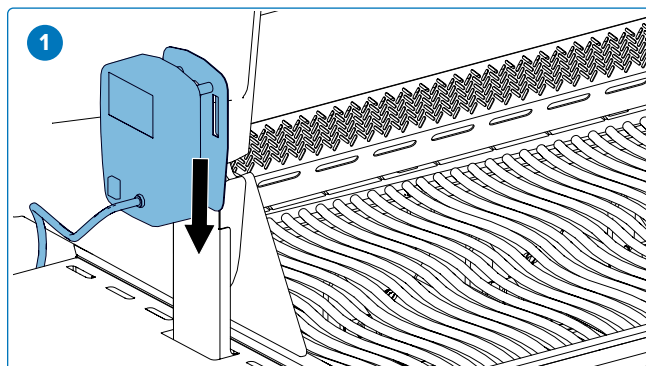
Montaje de su kit de asador



NOTA:

- Para el ciclo inicial de quemado, retire completamente la rejilla calentadora. Cuando utilice el asador, la rejilla calentadora se puede guardar en la posición superior para dejar espacio libre para la varilla del asador.
- Retire la rejilla solo si es necesario para obtener espacio adicional.
- Instale el motor del asador en el lateral de la parrilla utilizando los soportes de montaje. Algunos modelos tienen soportes premontados.

1. Una vez que el soporte esté fijado a la parrilla, deslice el motor del asador sobre el soporte.
2. Deslice el primer tenedor del asador justo más allá de la mitad de la varilla y ajústelo en su lugar. Enhebre la carne en la varilla del asador y empuje la carne dentro del tenedor. Deslice el segundo tenedor del asador en el extremo opuesto de la varilla y empuje el tenedor en la carne hasta que quede fijo. Ajuste el tenedor en su lugar.
3. Fije el contrapeso a la varilla del asador, en el lado opuesto al más pesado de la carne. Ajústelo hasta que la carga esté equilibrada y, a continuación, apriételo bien.
4. Inserte cuidadosamente el extremo puntiagudo de la varilla en el motor del asador y coloque el extremo opuesto sobre los soportes. El lado más pesado de la carne colgará naturalmente hacia abajo para equilibrar la carga.
5. Deslice el casquillo de tope en la varilla hasta que pase el interior de la tapa. Esto asegurará el movimiento lateral de la varilla del asador.
6. Ajuste el casquillo de tope y el mango de la varilla. Coloque una bandeja de metal debajo de la carne para recoger los jugos.



¡IMPORTANTE!

- Siempre use guantes protectores al manipular los componentes de la parrilla.

Consejos sobre el uso del asador:

- Encienda el quemador trasero a temperatura alta hasta que la carne se dore. Reduzca el calor. Mantenga la tapa cerrada.
- Utilice un termómetro para comprobar la temperatura interna de la carne.
- Los asados y las aves deben dorarse por fuera y permanecer tiernos por dentro.
- Utilice los jugos para rociar y hacer salsa.
- Un pollo de 3 libras tarda aproximadamente 1 hora y media a temperatura media-alta.
- Tenga en cuenta la capacidad del motor del asador (15 lb.). Nunca sobrecargue su equipo.
- Asegúrese de colocar siempre una carga equilibrada en su asador.

Cómo cocinar varios pollos

Ate o ensarte las alas al cuerpo de los pollos.

1. Deslice el tenedor del asador en la varilla.
2. Enhebre el primer pollo en la varilla hasta que quede sujeto por el tenedor del asador. Ajuste.
3. Enhebre los siguientes 2 pollos en la varilla para que todos los pollos queden juntos.
4. Deslice el segundo tenedor del asador en la varilla y empújelo en el pollo hasta que los 3 pollos queden bien apretados. Ajuste.

Almacenamiento

- Utilice los compartimentos de almacenamiento de sondas en el estante lateral al preparar la cocción. Desenchufe las sondas y llévelas al interior cuando no las use para protegerlas de los elementos (**Fig. 9**).
- Guarde los componentes del asador en los clips designados dentro del armario del carrito y la varilla del asador en la parte posterior de la parrilla cuando no los utilice.. Esto los mantiene seguros, protegidos de la intemperie y fáciles de acceder para su próxima cocción. Siempre asegúrese de que las piezas estén limpias y secas antes de guardarlas para evitar la corrosión (**Fig. 10 & 11**).

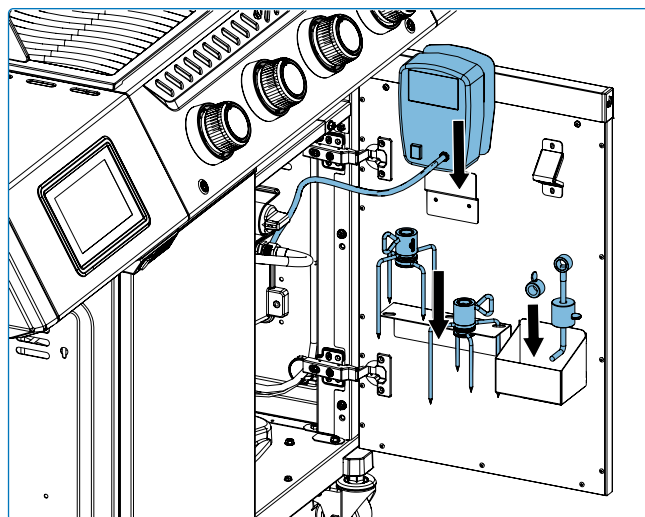


Fig. 9

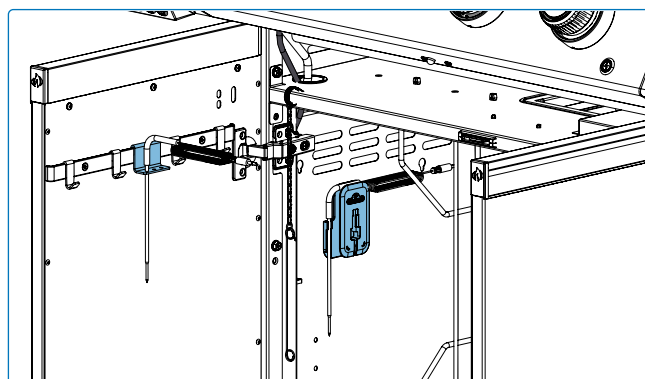


Fig. 10

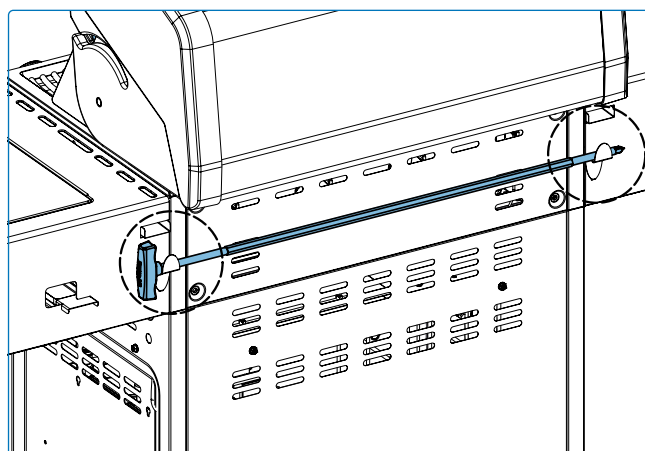


Fig. 11

Lista de verificación para la experiencia de asado

Consulte esta lista cada vez que use la parrilla

Lea el manual del propietario

Asegúrate de haber leído el manual del propietario y todas las instrucciones de seguridad.

Limpie la bandeja de grasa

Asegúrese siempre de limpiar la bandeja de grasa antes de asar para evitar incendios y llamaradas.

Compruebe la manguera

Asegúrese de que la parrilla esté apagada y fría. Compruebe si la manguera presenta abrasiones excesivas o cortes. Si la manguera está dañada, sustitúyala antes de utilizar el aparato.

Limpie las rejillas y precaliente

Utilice un raspador de madera o un cepillo de fibra natural para limpiar las rejillas de hierro fundido y acero inoxidable. Consulte **“Instrucciones de limpieza”**. Unte las rejillas con manteca vegetal y precaliente la parrilla para eliminar el exceso de residuos y evitar que se pegue la comida.

Área de preparación

Asegúrese de que todo lo que necesita mientras asa, como utensilios, condimentos, salsas y platos, esté a su alcance. No dejes la comida desatendida, o podría quemarse.

Dé la vuelta una vez y no mire

Trate de no abrir la tapa ni mirar demasiado, o el calor se escapará y afectará la temperatura y los tiempos de cocción. Dé la vuelta a su comida solo una vez, especialmente a los bistecs y al pollo.

Deje espacio

Deje espacio en la parrilla y entre los alimentos, para que pueda moverlos si es necesario.

Utilice un termómetro

Utilice un termómetro para asegurarse de que los alimentos están bien cocinados. Siga las pautas de temperatura adecuadas para todo tipo de carnes, especialmente las de ave.



NOTA:

Las rejillas de cocción de acero inoxidable son resistentes a la corrosión y requieren menos mantenimiento que las de hierro fundido.



¡CONSEJO DE UN PROFESIONAL DE LA PARRILLA!

Descubra recetas inspiradoras y técnicas de asado en los libros de cocina de Napoleon o visite www.napoleon.com



¡CONSEJO DE UN PROFESIONAL DE LA PARRILLA!

Siempre precaliente la parrilla antes de cocinar para eliminar los residuos y evitar que la comida se pegue a la rejilla.



¡SUGERENCIA DE ACEITE Y GRASA!

- Aceite de Semilla de Uva, Si no está disponible, seleccione un aceite o grasa que tenga un alto punto de humo.
- Aceite de girasol,
- Aceite de Soja,
- Aceite de oliva virgen extra No utilice grasas saladas como mantequilla o margarina.
- Aceite de canola.

Asistente de cocción ACCU-PROBE®

Atienda la parrilla y a sus invitados con confianza utilizando la tecnología integrada ACCU-PROBE®. Controle la temperatura interna de la parrilla. Programa fácilmente el tipo de alimento, la temperatura objetivo y el tiempo de cocción usando tu dispositivo inteligente con la aplicación Napoleon Home.

Recibirás notificaciones en tu dispositivo cuando tu comida esté cocida a la perfección. ACCU-PROBE® es compatible con conectividad Wi-Fi y Bluetooth®. Si tu red Wi-Fi predeterminada no está disponible, la función Bluetooth® te permite conectarte a ACCU-PROBE® fácilmente. El dispositivo debe configurarse inicialmente mediante Wi-Fi. Después de la configuración, Bluetooth® estará disponible para la conectividad, y Wi-Fi podrá seguir utilizándose si es compatible.

Consulta las secciones "Instrucciones de inicio rápido" y "Aplicación Napoleon Home" para obtener más información sobre cómo conectarte.

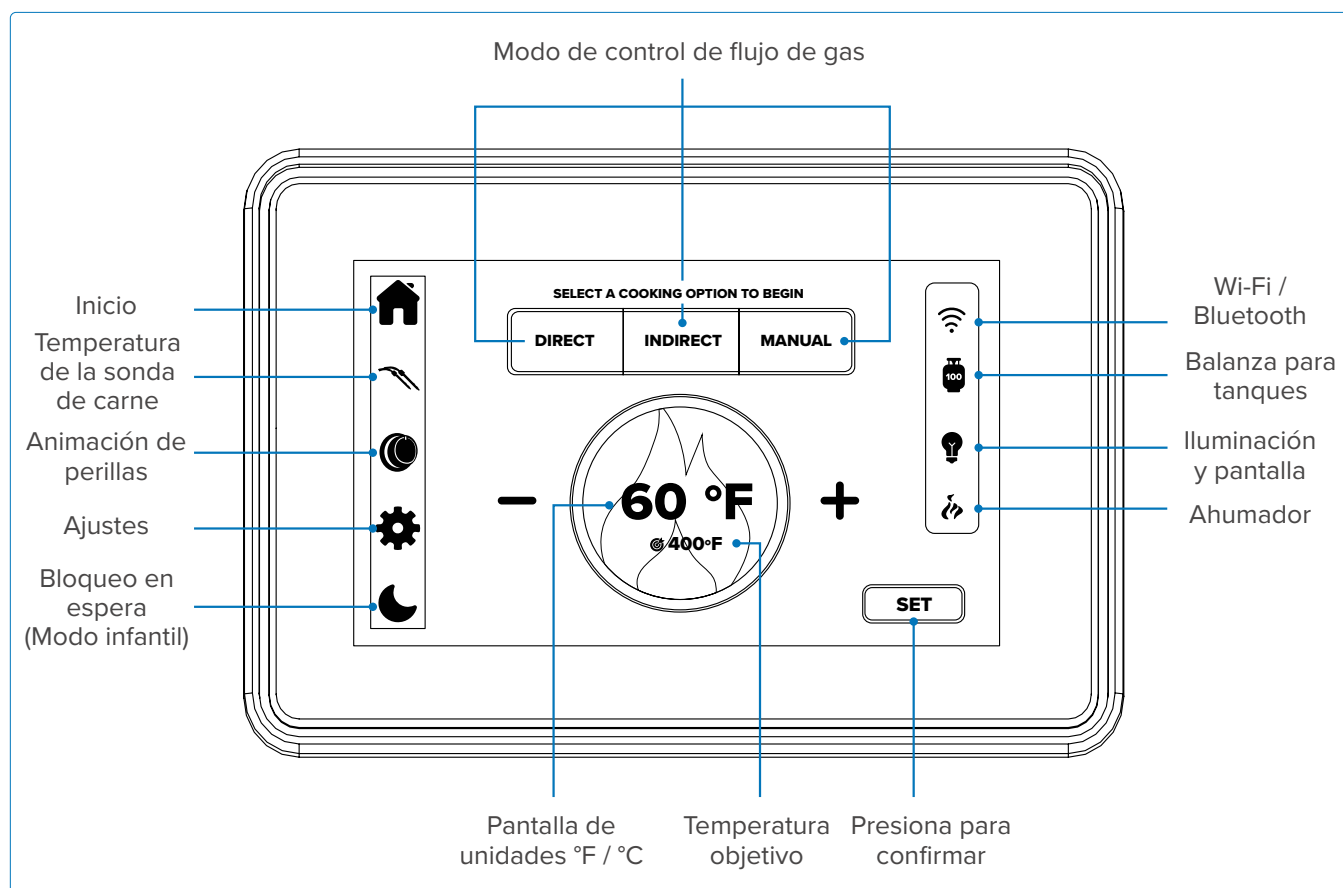
Descarga la aplicación Napoleon Home y disfruta de la cocina inteligente.

Cualquier uso de dichas marcas y logotipos, según se indica, pertenece a sus respectivos propietarios y cualquier uso por parte de Wolf Steel Ltd. se realiza bajo licencia: Bluetooth® por Bluetooth SIG, Inc. Otras marcas comerciales y nombres comerciales pertenecen a sus respectivos propietarios: Android™ y Google Play™ son marcas comerciales de Google Inc.; Apple, iPhone® y Apple App Store son marcas comerciales de Apple Inc.; iOS es una marca comercial o marca registrada de Cisco Inc.

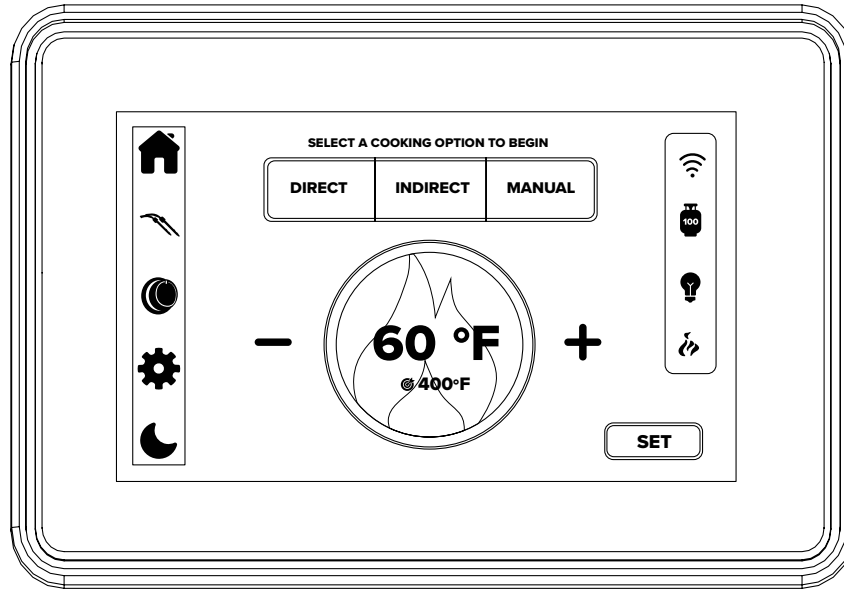
Dispositivos compatibles

La aplicación Napoleon Home está diseñada para funcionar con una amplia gama de dispositivos Android e iOS. La compatibilidad del dispositivo no está garantizada debido a la gran cantidad de modelos y estándares de fabricación diferentes.

Descripción general de la pantalla



Funcionamiento de la pantalla



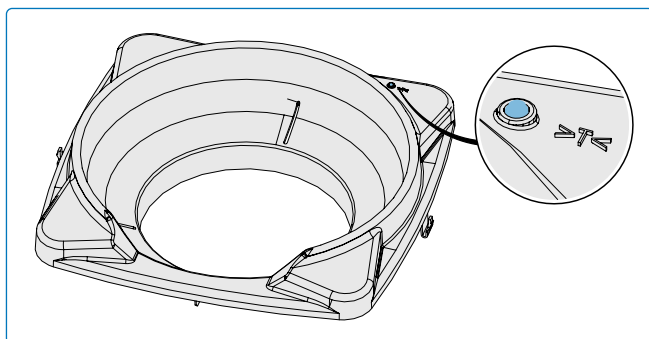
Función	Acción	Duración	Descripción
Modo de emparejamiento	Mantenga pulsado el botón de encendido durante 10 segundos O pulse el icono de Wi-Fi y, a continuación, en la ventana emergente, seleccione Restablecer red para que el sistema pueda emparejarse.	10 segundos	Cuando el sistema se reinicie, aparecerá el logotipo de Napoleon. Los iconos de Wi-Fi y Bluetooth® parpadearán, lo que indica que el dispositivo está en modo de emparejamiento (punto de acceso). Deberá volver a configurar el dispositivo utilizando la aplicación Napoleon Home. Este proceso debe completarse cuando la pantalla esté activa. Si la pantalla está apagada o en tiempo de espera, mantenga pulsado el botón hasta que se alcance el modo de punto de acceso. También puede iniciar el modo de emparejamiento tocando el icono de Wi-Fi y seleccionando Restablecer red en el menú emergente.
Activar pantalla	Toque una vez la pantalla o toque el ícono de la luna	N/D	Después de activarse, la pantalla volverá sin problemas a su estado anterior. Al tocar el ícono de la luna, la pantalla entrará en modo de espera; al volver a tocar el mismo lugar, la pantalla se volverá a encender.
Cambio de unidad de temperatura	Seleccione el ícono de engranaje.	N/D	Cambia entre Celsius y Fahrenheit.

Cómo poner a cero la balanza del tanque de propano

1. Retira el tanque de propano vacío.
2. Presiona el botón de cero para iniciar el proceso de tara.
3. Espera 20 segundos para que la balanza se calibre.
4. Coloca el nuevo tanque de propano en la balanza.

Seleccionar un nuevo tanque de propano

- Abre la aplicación Napoleon Home y ve a la sección de balanza de tanque. **Fig. 12.**
- Elige una de las siguientes opciones:
 - » **Norteamérica:** Pesos de tanque predeterminados preseleccionados.
 - » **Europa:** Selecciona entre las especificaciones de tanque disponibles.
 - » **Tanque personalizado (opcional):** Ingrese el peso de un tanque vacío y lleno para un monitoreo preciso. **Fig. 13.**



NOTA:

Pueden pasar aproximadamente 1 minuto para que los datos se actualicen en la aplicación.

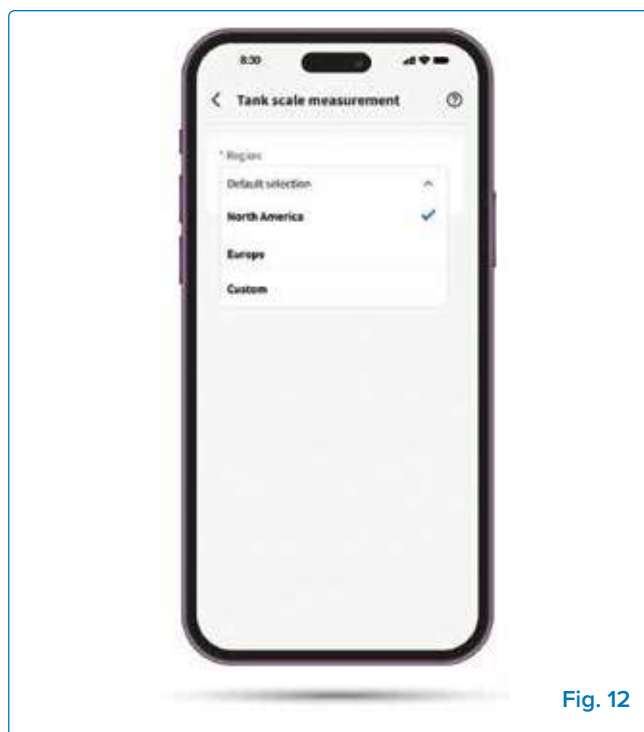


Fig. 12

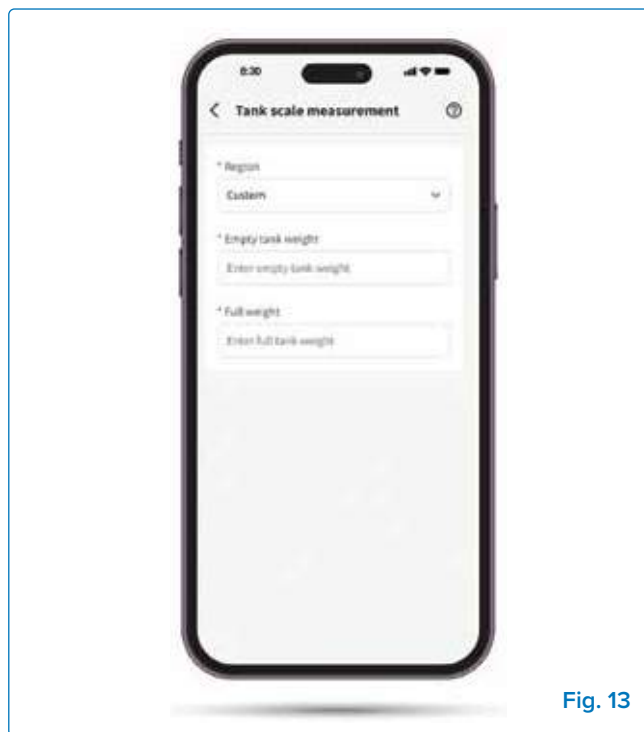


Fig. 13






Medidas de seguridad





- Evite la alta humedad o temperaturas extremas.
- Evite la exposición prolongada a la luz solar directa o a la luz ultravioleta intensa.
- No desmonte ni intente reparar la unidad por su cuenta.
- No exponga la unidad ni sus accesorios a líquidos inflamables, gases u otros explosivos.
- Las sondas pueden operar desde -4 °F (-20 °C) hasta 572 °F (300 °C).
- Los cables de las sondas pueden operar desde -4 °F (-20 °C) hasta 716 °F (380 °C).
- **IMPORTANTE:** No permita que las sondas estén expuestas directamente a las llamas o a temperaturas superiores a 572 °F (300 °C).
- Para obtener lecturas precisas, inserte las sondas en el centro de la carne, idealmente antes de colocarla en la parrilla.
- **IMPORTANTE:** Apunte las puntas de las sondas hacia abajo pero no permita que las puntas toquen las rejillas de cocción. También procure que las sondas no toquen el cuerpo de la parrilla.
- Coloque la carne en el lado de la parrilla más cercano al termómetro.
- Coloque el cable en un punto de salida alto para que permanezca lo suficientemente por encima de las rejillas de cocción cuando la tapa esté cerrada.
- Alternativamente, los mangos de las sondas pueden colocarse debajo del sello de la tapa. Asegúrese de que los laterales de la parrilla no superen la temperatura máxima de funcionamiento de la sonda.
- Cuando utilice más de una sonda, los anillos de colores pueden ayudar a identificar el número de cada sonda. Coloque cada anillo alrededor de la punta de la sonda y empuje hasta que llegue al soporte de la base.

Espacio libre

- Verifique que el área de cocción no supere la temperatura máxima y que los cables no estén doblados o deshilachados por puertas o tapas cerradas.
- Primero verifique el espacio libre del cable a temperatura ambiente con la tapa cerrada. Examine el cable para detectar cualquier doblez o torcedura severa. Luego encienda la parrilla y verifique si hay puntos calientes donde el cable pueda hacer contacto con la superficie.

Guía de asado por infrarrojos

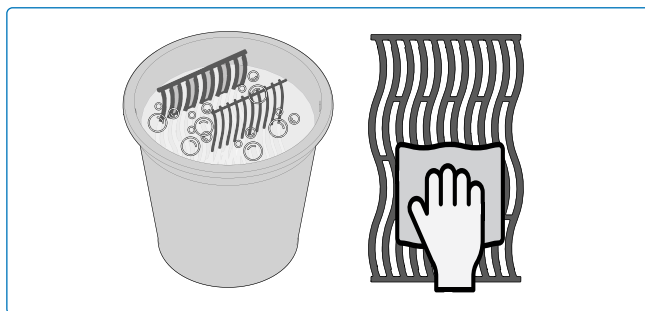
Alimentación	Temperatura interna	Ajuste de la perilla de control	Tiempo de cocción	Consejos de cocción
 <p>Bistec de 1 pulgada (2,54 cm) de grosor.</p>	Término medio 63 °C (145 °F)	ALTO durante 2 min por cada lado, luego MEDIO	4–6 minutos por cada lado, dependiendo del grosor.	Pida cortes con grasa veteada. Sellar a fuego alto para retener los jugos, luego reducir el calor hasta el punto de cocción deseado. Deje reposar durante 3 minutos antes de servir.
	Término medio 60 °C (140°F)			
	Bien cocido 77 °C (170 °F)			
 <p>Hamburguesa de ½ pulgada (1,27 cm) de grosor.</p>	Término medio 54 °C (129 °F)	ALTO durante 2–3 min por cada lado	5–7 minutos en total.	Forme las hamburguesas con un grosor uniforme para una cocción consistente. Las hamburguesas de 1 pulgada o más de grosor deben asarse usando calor indirecto.
	Término medio 60 °C (140°F)			
	Bien cocido 77 °C (170°F)			
 <p>Aves</p>	74 °C (165 °F)	ALTO , luego BAJO	90 minutos en total (dependiendo del tamaño)	Corte $\frac{3}{4}$ a través de la articulación entre el muslo y la pierna para que la carne quede plana sobre el quemador y se cocine de manera uniforme.
 <p>Chuletas de cerdo</p>	64 °C (147 °F)	MEDIUM	6 minutos por cada lado	Elija cortes gruesos para una carne más tierna. Quitar el exceso de grasa.
 <p>Pescado</p>	70 °C (158 °F)	MEDIUM	5–10 minutos, dependiendo del grosor	Cocine hasta que esté opaco y se desmenuce fácilmente.

Alimentación	Temperatura interna	Ajuste de la perilla de control	Tiempo de cocción	Consejos de cocción
 Mariscos/ Camarones	60°C - 65°C (140 °F - 149 °F)	ALTO	3–5 minutos	Deseche cualquier marisco que no se abra durante la cocción.
 Costillas	74 °C (165 °F)	ALTO por 5 min, luego BAJO	25–30 minutos en total	Asa hasta que la carne se desprenda fácilmente del hueso.
 Chuletas de cordero	64 °C (147 °F)	ALTO por 5 min, luego MEDIO	10–15 minutos por lado	Elija cortes gruesos para mayor ternura. Recorte el exceso de grasa para evitar llamaradas.
 Salchichas	74 °C (165 °F)	MEDIO a BAJO	5–7 minutos en total	Asa o hierva hasta que estén bien calientes.

Instrucciones de limpieza

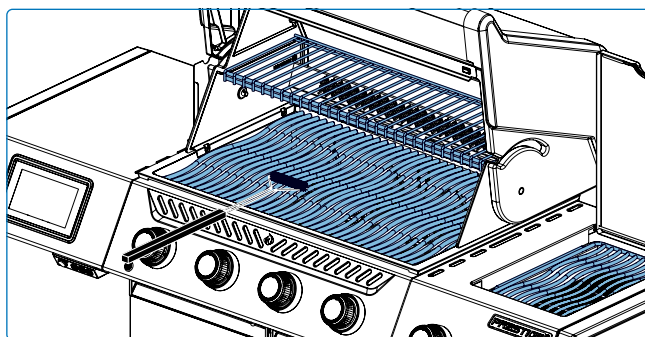
Primer uso

1. Lava las rejillas a mano con agua y jabón suave para eliminar cualquier residuo del proceso de fabricación. NO lavar en lavavajillas.
2. Aclárelo bien con agua caliente y séquelo completamente con un paño suave para evitar que penetre la humedad.



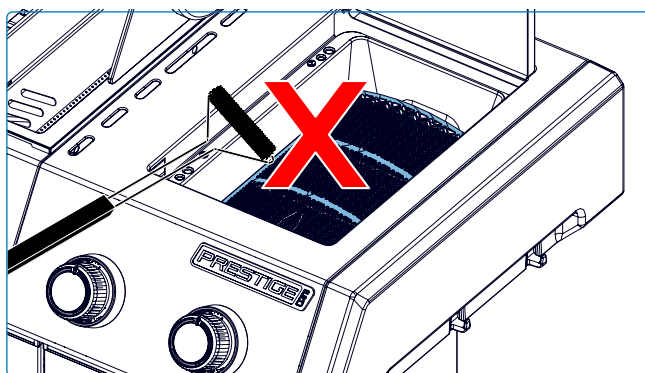
Rejillas de acero inoxidable

- Las rejillas de cocción de acero inoxidable pueden limpiarse precalentando la parrilla y usando un cepillo de alambre para eliminar residuos.
- Las rejillas de acero inoxidable se decolorarán permanentemente con el uso regular debido a las altas temperaturas al asar.



Quemador lateral infrarrojo

- La mayoría de los jugos y partículas de comida que caen sobre la superficie del quemador infrarrojo se incineran inmediatamente debido al calor de alta intensidad.
- No limpies la loseta cerámica con un cepillo de alambre.
- No uses agua u otros líquidos para limpiar el quemador. Un cambio inmediato de temperatura provocará que la loseta cerámica se agriete.
- Enciende el quemador y déjalo en alto durante 5-10 minutos para eliminar cualquier residuo restante.



NOTE:

Para limpiar la cubierta de malla de acero inoxidable del quemador lateral, utilice un cepillo de cerdas suaves. No utilice el cepillo en las baldosas de cerámica.

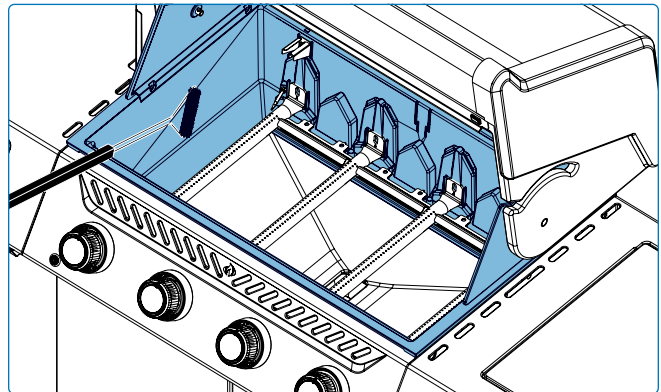
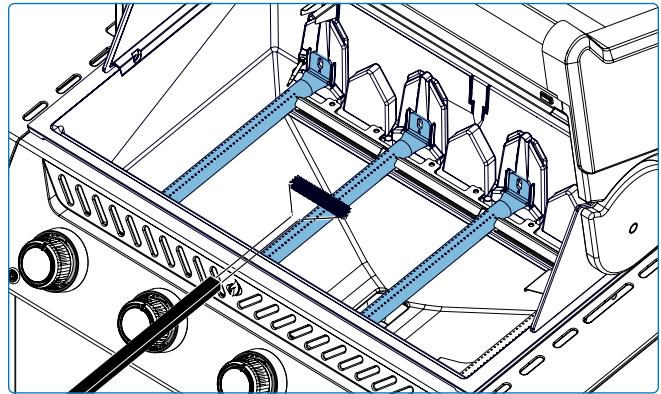
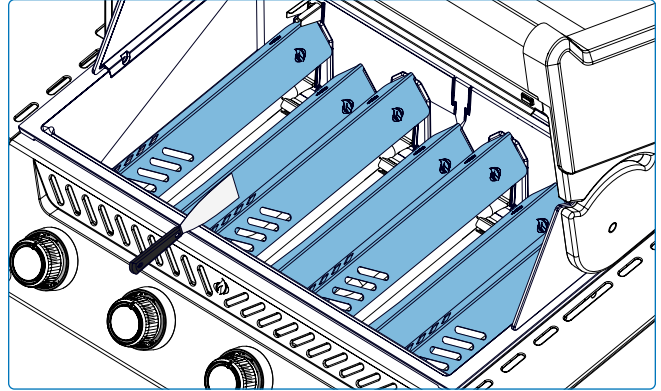


¡PELIGRO!

- Siempre use guantes protectores y gafas de seguridad al limpiar su parrilla.
- La limpieza solo debe realizarse cuando la parrilla esté fría para evitar la posibilidad de quemaduras.
- La grasa acumulada es un peligro de incendio.

Interior de la parrilla

1. Retira las rejillas de cocción.
2. Cepilla los residuos de la tapa y los lados con un cepillo de alambre de latón.
3. Raspa las placas de sellado con una espátula y luego cepilla la ceniza.
4. Retira las placas de sellado y limpia los quemadores con un cepillo de alambre.
5. Barre los residuos hacia la bandeja de goteo.



Bandeja recolectora

Cada cabezal de parrilla, quemador lateral y quemador empotrado tiene una bandeja de goteo correspondiente. Es fácilmente accesible a través de puertas o aberturas.

- La grasa y los goteos en exceso se recogen en la bandeja de goteo situada debajo de la parrilla y se acumulan en la bandeja desechable de grasa debajo de la bandeja de goteo (si corresponde).
- Utiliza únicamente revestimientos aprobados por Napoleon en la bandeja de goteo. Nunca uses papel aluminio, arena ni ningún otro material no aprobado. Esto puede evitar que la grasa fluya correctamente.
- Limpia con frecuencia para evitar la acumulación de grasa – aproximadamente cada 4-5 usos.

Pasos de limpieza:

1. Deslice la bandeja recogegrasa de la parrilla para acceder a la bandeja de grasa desechable o para limpiar la bandeja recogegrasa.
2. Raspe la bandeja recogegrasa con un rascador de plástico duro para evitar arañazos que podrían provocar óxido.
3. Sustituya la bandeja de grasa desechable cada 2-4 semanas, dependiendo del uso de la parrilla (si procede).
4. Consulte a su distribuidor de Napoleon Grill para obtener suministros..

Termopares

El sensor de llama y los termopares están ubicados cerca de los quemadores principales (**Fig.18**). En caso de acumulación de grasa, limpie suavemente las puntas metálicas con un paño suave o use papel de lija de grano fino si es necesario. Evite usar agua, productos químicos agresivos o aplicar presión, ya que estos componentes son delicados y pueden dañarse fácilmente con una limpieza brusca. Asegúrese de que todas las piezas estén secas antes de volver a ensamblar.

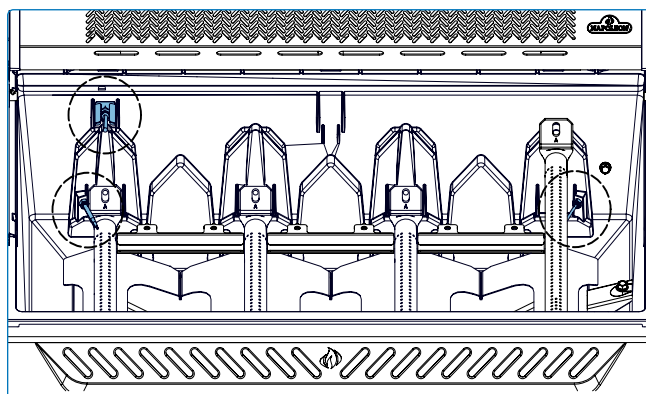
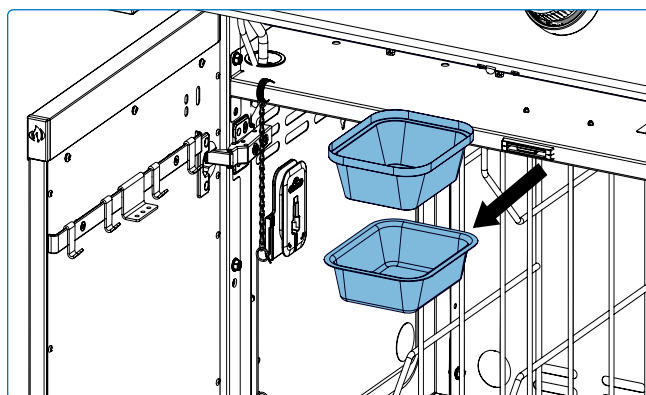
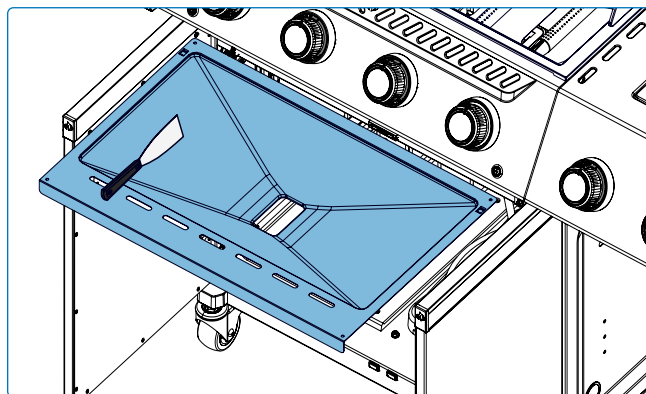


Fig. 18

Panel de control

Utilice SÓLO agua jabonosa tibia. El texto está impreso directamente en el panel de control y se borrará gradualmente si se utilizan limpiadores abrasivos o de acero inoxidable. La limpieza adecuada del panel de control garantizará que el texto permanezca oscuro y legible.

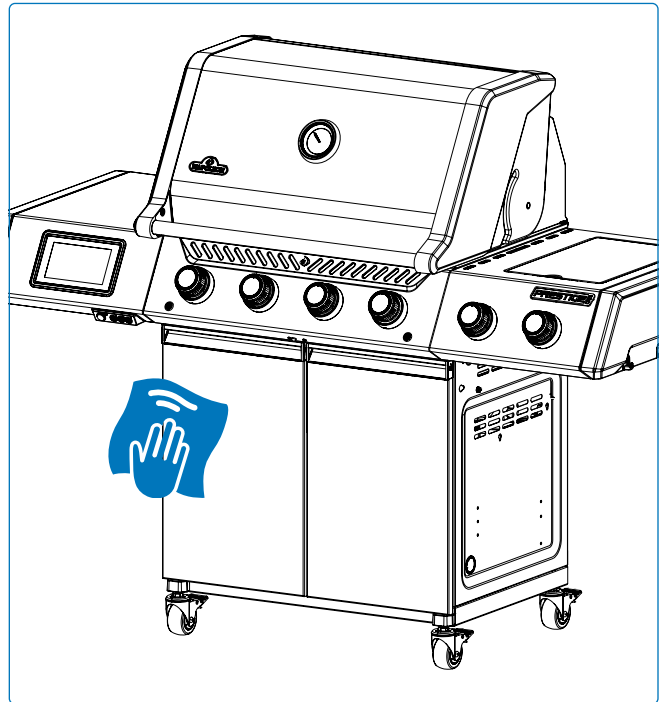
Fundiciones de aluminio

Limpie con agua tibia y jabón. El aluminio no se oxida, pero las altas temperaturas y la intemperie pueden causar oxidación en la superficie de las piezas fundidas que parecen manchas blancas. Consulte “**Instrucciones de mantenimiento**” para obtener más información sobre cómo prevenir la oxidación del aluminio.

Superficie exterior de la parrilla

- Utilice únicamente un limpiador no abrasivo. Los limpiadores abrasivos o la lana de acero rayarán el acabado.
- Limpie siempre en la dirección del grano.
- Maneje los componentes de esmalte porcelánico con cuidado.
- El acabado de esmalte al horno es similar al vidrio y se astilla si se golpea.

Las piezas de acero inoxidable se decoloran con el tiempo cuando se calientan y adquieren un tono dorado o marrón. Esto es normal y no afectará el rendimiento de la parrilla.



¡ADVERTENCIA!

- Asegúrese de que todos los quemadores estén apagados, la botella de gas cerrada y la parrilla fría antes de limpiarla. No utilice limpiadores para hornos en ninguna parte de la parrilla.
- No coloque las rejillas de cocción ni ninguna otra parte de la parrilla en un horno autolimpiante para limpiar. Limpie la parrilla en un área donde la solución de limpieza no dañe terrazas, céspedes o patios.
- La salsa barbacoa y la sal pueden ser corrosivas y causarán un deterioro rápido de los componentes de la parrilla a menos que se limpien regularmente.

Rejilla antiinsectos y orificios de los quemadores

Las arañas y los insectos se sienten atraídos por los pequeños espacios cerrados. Napoleon ha equipado el quemador con una mosquitera en el obturador de aire. Esto reduce la probabilidad de que los insectos construyan nidos dentro del quemador, pero no elimina el problema.

Un nido o telaraña puede hacer que la llama del quemador arda de color amarillo o naranja suave y provocar un incendio o retroceso en la compuerta de aire debajo del panel de control.

1. Retire el/los tornillo(s) que sujetan el quemador a la pared trasera de la parrilla. Deslice el quemador hacia atrás y hacia arriba para retirarlo. **(Fig.19)**.
2. Limpie el interior del quemador usando un cepillo flexible para tubos venturi o, para áreas delicadas, un cepillo de cerdas suaves para eliminar suavemente los residuos.
3. Sacuda los residuos sueltos del quemador a través de la entrada de gas.
4. Revise los orificios del quemador y las válvulas para detectar obstrucciones: los orificios del

quemador pueden cerrarse con el tiempo debido a residuos de cocción y corrosión.

5. Use un clip abierto o una broca para limpiar los orificios del quemador. Aunque esto se puede hacer con el quemador instalado, es más fácil si se retira de la parrilla.
6. No flexione la broca al taladrar los orificios porque la broca se romperá.
7. Esta broca es para los orificios del quemador **NO** para los orificios de latón que regulan el flujo de gas al quemador.
8. No agrande los orificios.
9. Asegúrese de que la malla contra insectos esté limpia, ajustada y libre de pelusa u otros residuos.
10. Invierta el procedimiento para volver a instalar el quemador.
11. Asegúrese de que la válvula entre en el quemador al instalar.
12. Vuelva a colocar el soporte de la placa de sellado y apriete los tornillos para completar la reinstalación.

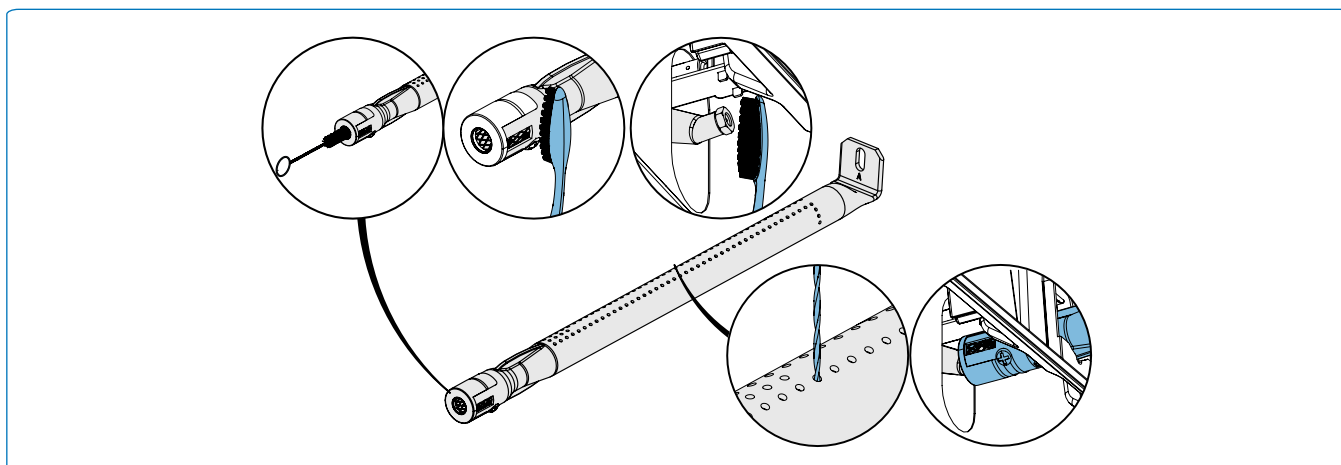


Fig. 19

¡PELIGRO!

- Es muy importante que la válvula/orificio entre en el tubo del quemador después de la limpieza y antes de encender la parrilla, o podría ocurrir un incendio o explosión.
- Evite el contacto sin protección con superficies calientes.
- No use limpiadores abrasivos ni lana de acero en ninguna parte pintada, de porcelana o de acero inoxidable de su parrilla porque rayará el acabado.



LA SEGURIDAD ES LO PRIMERO!

Siempre use guantes protectores y gafas de seguridad al dar mantenimiento a su parrilla.

Sondas de temperatura

- Limpie las sondas antes de usarlas por primera vez.
- Lave a mano la parte metálica de las sondas y séquelas completamente después de cada uso. No lave en lavavajillas.
- Las sondas son a prueba de óxido y resistentes a la corrosión. No use productos químicos ni soluciones de limpieza para limpiar las sondas, excepto jabón suave.



NOTA:

Las tomas de las sondas, los cables de las sondas y la unidad de visualización son resistentes al agua pero no deben dejarse bajo la lluvia. El aparato nunca debe sumergirse en agua.



¡ADVERTENCIA!

- Mantenga la parrilla alejada de materiales combustibles, gasolina y otros vapores y líquidos inflamables.



¡QUEREMOS AYUDAR!

Contacte al departamento de soluciones al cliente de Napoleon para obtener piezas de repuesto recomendadas 1-866-820-8686.

Instrucciones de mantenimiento

Requisitos generales

Esta parrilla debe ser inspeccionada y mantenida anualmente por una persona de servicio calificada.

- No obstruya el flujo de aire de ventilación y combustión.
- Mantenga las aberturas de ventilación del compartimiento del cilindro ubicadas en el costado del carrito o compartimiento y en la parte delantera y trasera del estante inferior libres de residuos.

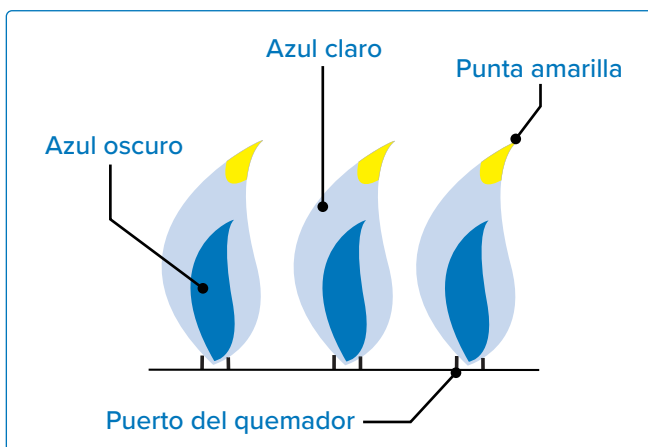


¡IMPORTANTE!

- Esto debe ser realizado por un instalador de gas cualificado.

Ajuste del aire de combustión

- El obturador de aire viene ajustado de fábrica y no debería ser necesario ajustarlo en condiciones normales. Es posible que sea necesario ajustarlo en condiciones de campo extremas.
- Las llamas del obturador de aire serán de color azul oscuro, con puntas azul claro y ocasionalmente amarillas cuando esté correctamente ajustado.
- Demasiado poco flujo de aire al quemador producirá hollín y llamas amarillas perezosas.
- Demasiado flujo de aire al quemador hará que las llamas se eleven de forma errática y causará dificultades de encendido.



Ajuste del obturador de aire

1. Retire las rejillas de cocción y las placas de sellado. Deje la tapa abierta.
2. Debe retirar el quemador para acceder y ajustar el tornillo del obturador de aire, ya que de otro modo no es accesible.
3. Retire la tapa trasera para ajustar el obturador de aire del quemador de tubo trasero.
4. Afloje el tornillo de bloqueo de la compuerta de aire y abra o cierre la compuerta de aire según sea necesario.
5. Encender los quemadores a fuego alto.
6. Inspeccionar visualmente las llamas de los quemadores.
7. Apague los quemadores, apriete los tornillos de bloqueo y vuelva a colocar las piezas retiradas cuando las compuertas estén correctamente ajustadas.
8. Asegúrese de que las mosquiteras están instaladas.



NOTA:

Los quemadores infrarrojos no tienen ajuste de aire.

Ajustes del obturador de aire

Modelo	Tipo de gas	Quemador principal	Quemador de tubo trasero
PRO500	Propano	Abierto	* 1/4" (6 mm)
	Gas natural	* 1/8" (3 mm)	* 1/16" (2 mm)

* Cada lado de la compuerta de aire

Cuadro 1

Acero inoxidable en ambientes hostiles

El acero inoxidable se oxida o mancha en presencia de cloruros y sulfuros, especialmente en regiones costeras, zonas cálidas y muy húmedas, y alrededor de piscinas y jacuzzis. Estas manchas parecen óxido, pero pueden eliminarse o prevenirse fácilmente. Lavar las superficies inoxidables y cromadas cada 3-4 semanas. Limpiar con agua tibia y jabón.

Mantenimiento del quemador

- El calor extremo y un ambiente corrosivo pueden causar corrosión superficial incluso si el quemador está hecho de acero inoxidable 304 de pared gruesa.

Mantenimiento y protección de los quemadores infrarrojos

Sus quemadores infrarrojos están diseñados para proporcionar una larga vida útil, pero debe tener cuidado para evitar que se agrieten sus superficies cerámicas. Las fracturas harán que los quemadores funcionen mal

¡IMPORTANTE!

- Los daños resultantes de no seguir estas instrucciones NO están cubiertos por la garantía de su parrilla.

Ventilación del aire caliente

- El aire caliente debe tener una vía de escape en la parrilla para que los quemadores funcionen correctamente.
- Si el aire caliente no puede escapar, los quemadores pueden quedarse sin oxígeno y provocar retroceso de llama. Esto, si ocurre repetidamente, puede agrietar la cerámica.

¡PELIGRO!

- Apague el gas en la fuente y desconecte la unidad antes de repararla.
- Se debe realizar una prueba de fugas anualmente y cuando se sustituya cualquier componente del tren de gas, o cuando haya olor a gas.
- El mantenimiento solo debe realizarse cuando la parrilla esté fría para evitar la posibilidad de quemaduras.

Pasos para evitar dañar las superficies cerámicas

1. Nunca apague una llama ni controle llamaradas con agua. **(Fig. 20).**
2. Evite que el agua fría toque los quemadores calientes, ya que puede agrietar la cerámica.
3. Un quemador cerámico que se moje antes de usarse generará vapor al encenderse después y producirá presión que agrietará la cerámica.
4. El remojo repetido de la cerámica puede hacer que se hinche y expanda, produciendo presión que hará que la cerámica se agriete y desmorone.
5. Si hay agua estancada en la parrilla, revise si la cerámica está mojada. Retire el quemador, póngalo boca abajo para drenar el agua y llévelo al interior para que se seque completamente..
6. No permita que objetos duros golpeen el quemador. Tenga cuidado al insertar o retirar las rejillas de cocción y al usar accesorios.

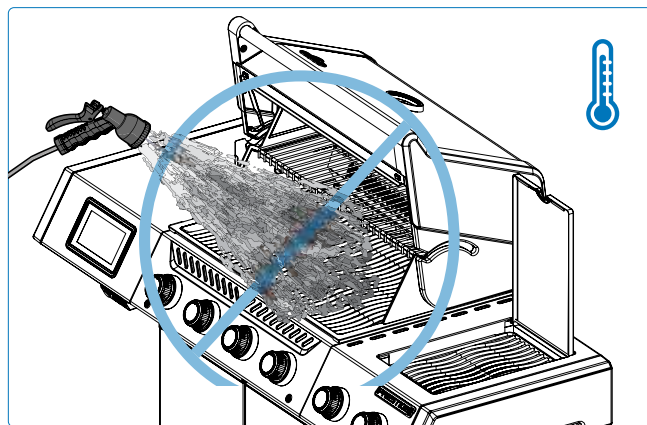


Fig. 20



¡LA SEGURIDAD ES LO PRIMERO!

Nunca cubra más del 75% de la superficie de cocción de cualquier quemador principal o lateral con ningún metal sólido (por ejemplo, planchas o sartenes)

Ajuste de la puerta

Las puertas del carrito del aparato se pueden ajustar si están desniveladas.

1. Ubique el soporte de ajuste en la parte superior de la puerta.
2. Usando un destornillador, gire el tornillo de ajuste de la puerta en el sentido de las agujas del reloj para subir la puerta, o en sentido contrario para bajarla.
3. Después de una o dos vueltas con el destornillador, abra y cierre la puerta y verifique la alineación en la parte superior de las puertas.
4. Ajuste los tornillos de las bisagras para alinear las puertas del gabinete de modo que queden niveladas entre sí (**Fig.21**).
5. Si es necesario, repita estos pasos hasta que las puertas estén alineadas.

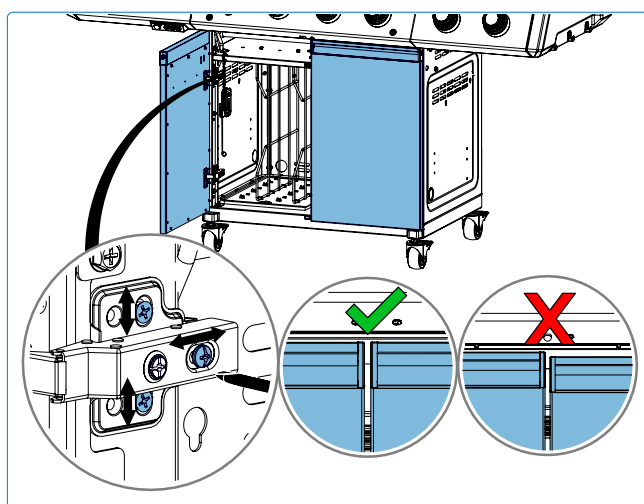
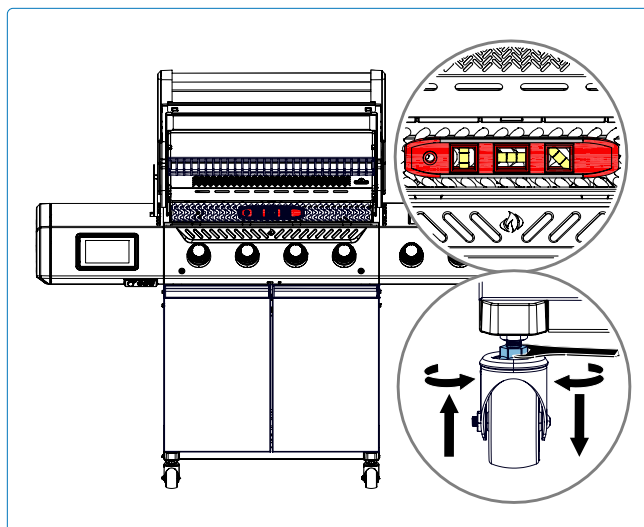


Fig. 21



¡ADVERTENCIA!

- Eleve solo un lado del aparato a la vez. No incline el aparato hacia adelante ni hacia atrás.

Solución de problemas

Problemas de encendido

- Los quemadores principales, traseros o laterales no se encenderán con el encendedor, pero sí con un fósforo.
- Los quemadores no se encienden entre sí.

	Posibles causas	Solución
Quemador principal	La salida JETFIRE™ está sucia o bloqueada.	Limpie la salida JETFIRE™ con un cepillo de cerdas suaves.
	Los soportes de las luces cruzadas están sucios o corroídos.	Limpiar o sustituir según sea necesario.
Quemadores traseros y laterales	Cable del electrodo o cables del terminal del interruptor sueltos.	Verifique que el cable del electrodo esté bien conectado al terminal trasero del encendedor. Asegúrese también de que los cables entre el módulo y el interruptor (si aplica) estén firmemente conectados.
	Llamas levantadas en el quemador.	Cierre la compuerta de aire según “ Ajuste de aire de combustión ” en el Manual del Propietario. IMPORTANTE: debe hacerlo un instalador de gas cualificado.

Ruidos y llamaradas

- Zumbido del regulador.
- Lllamaradas excesivas y calor desigual.

Posibles causas	Solución
Zumbido normal en días calurosos.	Esto no es un defecto. Es causado por vibraciones internas en el regulador y no afecta el rendimiento ni la seguridad de la parrilla. Los reguladores con zumbidos NO serán reemplazados.
La válvula de la bombona se abrió demasiado rápido.	Abrir lentamente la válvula de la bombona.
Placas de sellado instaladas incorrectamente.	Asegúrese de que las placas de sellado estén instaladas con los orificios hacia el frente y las ranuras en la parte inferior. Consulte la Guía de Instrucciones de Ensamblaje.
Calentamiento inadecuado.	Precaliente la parrilla con todos los quemadores principales en alto durante 10 a 15 minutos.
Acumulación excesiva de grasa y ceniza en las placas de sellado y en la bandeja de goteo.	Limpie las placas de sellado y la bandeja de goteo regularmente. No forre la sartén con papel de aluminio. Consulte las “ Instrucciones de limpieza ”.

Flujo de gas

- Bajo calor o llama baja cuando la válvula está en alto.
 - Los quemadores arden con llama amarilla, acompañada de olor a gas.
 - Las llamas se alejan del quemador,
- acompañadas de olor a gas y posibles dificultades de encendido.
- Salida del quemador en ALTO, pero el ajuste es BAJO. Ruido sordo y llama azul parpadeante en la superficie del quemador.

Posibles causas	Solución
Propano - procedimiento de encendido incorrecto.	Asegúrese de seguir cuidadosamente el procedimiento de encendido. Todas las válvulas de gas deben estar en la posición OFF cuando se abra la válvula del depósito. Encienda el tanque lentamente para permitir que la presión se iguale. Consulte Operación – “Instrucciones de encendido” .
Gas natural - tubería de suministro subdimensionada.	La tubería debe estar dimensionada de acuerdo con el código de instalación.
Junta con fugas alrededor de la losa cerámica, o falla de soldadura en la carcasa del quemador.	Deje que el quemador se enfríe e inspeccione muy de cerca en busca de grietas. Póngase en contacto con su distribuidor autorizado Napoleon para pedir un conjunto de quemador de repuesto si se encuentra alguna grieta.
Tanto gas propano como gas natural - precalentamiento inadecuado.	Precaliente la parrilla con ambos quemadores principales en alto durante 10 a 15 minutos.
Posible telaraña u otros residuos.	Limpie a fondo el nido o las telarañas del orificio del quemador retirándolo y siguiendo las instrucciones de este manual. Consulte “Instrucciones de limpieza” .
Ajuste incorrecto del obturador de aire.	Abra o cierre ligeramente el obturador de aire de acuerdo con este manual. Consulte las “Instrucciones de mantenimiento” . IMPORTANTE ! Esto debe ser realizado por un instalador de gas cualificado.
Falta de gas.	Compruebe el nivel de gas en la bombona de propano.
La manguera de suministro está pinzada.	Cambie la posición de la manguera de suministro según sea necesario.
Regulador de propano en estado de bajo caudal.	Apague los quemadores y cierre la válvula del tanque. Espere 5 minutos antes de abrirla lentamente para igualar la presión. Siga cuidadosamente las instrucciones de encendido cada vez. Todas las válvulas de gas deben estar CERRADAS al abrir la válvula del tanque.

Pintura descascarillada

- La pintura parece estar descascarándose en el interior de la tapa o campana.

Posibles causas	Solución
Acumulación de grasa en las superficies interiores.	No se trata de un defecto. El acabado de la tapa y la campana es de porcelana o acero inoxidable y no se descascarilla. El desprendimiento se debe a la grasa endurecida (conocida como creosota), que se seca y forma fragmentos similares a pintura que se desprenden. Una limpieza regular evitará que esto ocurra. Consulte las “Instrucciones de limpieza” .

Retroceso del quemador infrarrojo

- Durante el funcionamiento, el quemador emite repentinamente un fuerte sonido de “whoosh”, seguido de un sonido continuo tipo soplete y se atenúa o tiene una llama grande al encenderse.

Posibles causas	Solución
Las losas cerámicas están sobrecargadas de grasa y acumulación. Los orificios están obstruidos.	Apague el quemador y deje enfriar al menos 2 minutos. Luego, enciéndalo y manténgalo en ALTO por 5 minutos o hasta que la cerámica esté uniformemente al rojo vivo.
El quemador se sobrecalentó debido a una ventilación inadecuada. La plancha o sartén cubría una superficie demasiado grande de la parrilla.	Asegúrese de no cubrir más del 75 % de la parrilla con objetos o accesorios. Apague el quemador, deje enfriar 2 minutos y vuelva a encender.



¡QUEREMOS AYUDAR!

Napoleon está aquí para asegurarse de que su experiencia de asado sea memorable. Póngase en contacto con nosotros si necesita ayuda adicional.

Emparejamiento de la aplicación con el aparato

- En la pantalla, asegúrese siempre de que el icono de Bluetooth® y el logotipo de Wi-Fi estén parpadeando, lo que indica que está listo para emparejarse con un dispositivo inteligente.

Problema con la aplicación	Causas posibles / Solución
<p>La aplicación no está instalada o no está instalada correctamente.</p>	<ul style="list-style-type: none"> • Conéctese a Internet por Wi-Fi y descargue la aplicación desde la Apple App Store o Google Play™. • Siga las indicaciones para instalar y abrir la aplicación automáticamente. • Desinstale y vuelva a instalar la aplicación si es necesario (consulte "Napoleon Home App" para más detalles). • Expanda los permisos de la aplicación. • Verifique el icono de la aplicación en la pantalla de inicio.
<p>La aplicación está instalada pero muestra una pantalla con el texto "la sonda no está conectada".</p>	<ul style="list-style-type: none"> • Asegúrese de que las sondas estén correctamente insertadas en las ranuras de su aparato. • Maximice la receptividad colocando la pantalla del aparato frente al dispositivo inteligente a corta distancia. • Cierre completamente la aplicación y vuelva a iniciarla (familiarícese con las operaciones y configuraciones básicas de su dispositivo). • Cierre cualquier programa innecesario en el dispositivo inteligente que pueda estar consumiendo memoria.
<p>La aplicación funcionaba antes, pero el nombre del dispositivo no aparece en la lista de dispositivos de la aplicación.</p>	<ul style="list-style-type: none"> • La aplicación no está buscando o no puede encontrar el dispositivo. • Haga clic en "Intentar de nuevo" en la página de "no se encontraron dispositivos" o pulse el botón de retroceso en la página de "dispositivos encontrados" para reiniciar la búsqueda. • Apague y encienda la pantalla manteniendo presionado el botón de encendido durante 5 segundos. Asegúrese de que Bluetooth® esté activado en la configuración del dispositivo inteligente móvil. • Acerque el dispositivo inteligente a la unidad de visualización. • Actualice la memoria caché cerrando y volviendo a abrir la aplicación. • Asegúrese de que la configuración de ubicación de su dispositivo esté activada. • Espere entre 30 y 60 segundos entre cada paso.

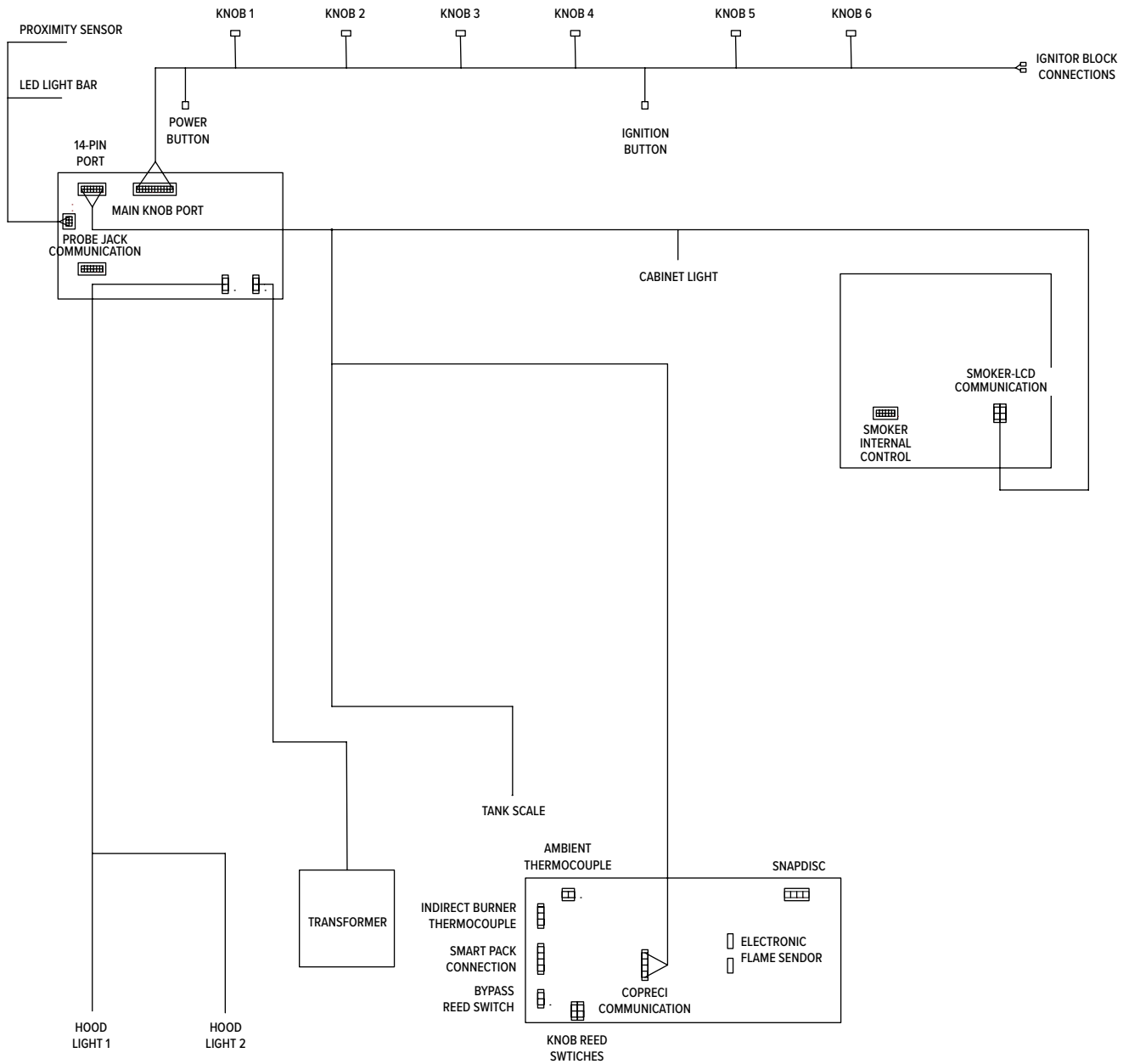
Problema con la aplicación	Causas posibles / Solución
El aparato perdió la conexión mientras estaba en funcionamiento y muestra una página de "conexión perdida".	<ul style="list-style-type: none"> • Intente localizar la causa de la interferencia de frecuencia o una obstrucción física. • Asegúrese de que tanto el aparato como el teléfono inteligente tengan acceso a internet y que Bluetooth® esté habilitado en su teléfono inteligente. • Apague y encienda la unidad de visualización. • Forzar el cierre y volver a abrir la aplicación como último recurso.
Las alarmas no funcionan.	<ul style="list-style-type: none"> • Verifique la conexión del dispositivo. • Verifique que los sonidos o notificaciones apropiados estén activados en la configuración de su dispositivo inteligente. • Verifique que la notificación de alarma (o vibración) esté seleccionada en la aplicación Napoleon Home.
El aparato no se conecta a Wi-Fi.	<ul style="list-style-type: none"> • El aparato solo es compatible con la banda Wi-Fi de 2.4GHz. Verifique la configuración de su router. Asegúrese de que su router esté transmitiendo en 2.4GHz. Algunos routers tienen la capacidad de transmitir en varias bandas. • Verifique la configuración de su router para asegurarse de que la banda de 2.4GHz esté habilitada. • Otros dispositivos electrónicos pueden interferir con la señal Wi-Fi. Intente alejar el dispositivo de aparatos electrónicos que puedan estar causando interferencias.



RECURSOS PARA PIEZAS DE REPUESTO

Vaya a napoleon.com
o consulte su Guía
de Ensamblaje para
obtener instrucciones
sobre piezas de
repuesto.

Diagrama de conexiones eléctricas



Conformidad

Nombre del producto	Número de modelo	FCC ID	IC ID
PRESTIGE PRO	PRO500VX	VA8-PRO665VX	7114A-PRO665VX

Este dispositivo cumple con la Parte 15 de las normas de la FCC. El funcionamiento está sujeto a las siguientes dos condiciones:

1. El dispositivo no debe causar interferencias perjudiciales.
2. El dispositivo debe aceptar cualquier interferencia recibida, incluida la que pueda causar un funcionamiento no deseado. Los cambios o modificaciones no aprobados expresamente por la parte responsable del cumplimiento podrían anular la autoridad del usuario para operar el equipo.

Conformidad con la FCC:

Este equipo ha sido probado y cumple con los límites para un dispositivo digital de Clase B, conforme a la Parte 15 de las normas de la FCC. Estos límites están diseñados para proporcionar una protección razonable contra interferencias perjudiciales en una instalación residencial.

Este equipo genera, utiliza y puede radiar energía de radiofrecuencia y, si no se instala y utiliza de acuerdo con las instrucciones, puede causar interferencias perjudiciales en las comunicaciones por radio. Sin embargo, no se garantiza que no ocurran interferencias en una instalación en particular.

Si este equipo causa interferencias perjudiciales en la recepción de radio o televisión, lo cual puede determinarse apagando y encendiendo el equipo, se recomienda al usuario intentar corregir la interferencia mediante una o más de las siguientes medidas:

- Reoriente o reubique la antena receptora.
- Aumente la separación entre el equipo y el receptor.
- Conecte el equipo a una toma de corriente en un circuito diferente al que está conectado el receptor.
- Consulte al distribuidor o a un técnico experimentado en radio/TV para obtener ayuda.

Declaración sobre la exposición a RF

Para cumplir con las directrices de exposición RF de la FCC, la antena de este transmisor debe instalarse

a una distancia mínima de 20 cm de toda persona y no debe colocarse ni operar junto con otra antena o transmisor.

Declaración de ISED Canadá:

Este dispositivo contiene transmisores/receptores exentos de licencia que cumplen con los RSS exentos de licencia de Innovación, Ciencia y Desarrollo Económico de Canadá. El funcionamiento está sujeto a las siguientes dos condiciones:

1. Este dispositivo no debe causar interferencias; y
2. Este dispositivo debe aceptar cualquier interferencia, incluida la interferencia que pueda causar un funcionamiento no deseado del dispositivo.

Directiva de Equipos de Radio: Por la presente, Napoleon declara que el tipo de equipo de radio PRESTIGE P500VX - P665VX cumple con la Directiva 2014/53/UE.

Exposición a la radiación: Este equipo cumple con los límites de exposición a la radiación establecidos en Canadá para un entorno no controlado.

Declaración sobre la exposición a RF:

Para cumplir con las directrices de exposición RF de IC, la antena de este transmisor debe instalarse a una distancia mínima de 20 cm de toda persona y no debe colocarse ni operar junto con otra antena o transmisor. Este transmisor de radio [7114A-PRO665VX] ha sido aprobado por ISDE Canadá para operar solo con los tipos de antena indicados a continuación, con el máximo de ganancia permitido. Cualquier antena no incluida con una ganancia mayor está estrictamente prohibida para este dispositivo.

Antena desmontable:

−0.19 dBi a 2.4 GHz, 50 Ω, antena externa
La antena BT/WiFi del dispositivo es desmontable.

GARANTÍA DE POR VIDA LIMITADA NAPOLEON®

PARA LA SERIE DE MODELOS PRESTIGE®, PRESTIGE PRO™ Y BUILT-IN



Los productos Napoleon están diseñados con piezas y materiales de primera calidad y son ensamblados por expertos artesanos que se toman muy en serio su trabajo. Este producto ha sido rigurosamente inspeccionado por un técnico calificado antes de ser empaquetado y enviado a fin de asegurarle que usted, como cliente, reciba el producto de calidad que espera de NAPOLEON.

Gracias por adquirir un producto de Napoleon. Napoleon (Wolf Steel Ltd, Barrie, ON, Canadá) garantiza que los componentes de su nuevo producto Napoleon, no están hechos con materiales defectuosos ni tienen defectos en la mano de obra, a partir de la fecha de compra y por un período de 15 años.

Capucha.....	De por vida
Tapa de acero inoxidable.....	De por vida
Tapa esmaltada en porcelana.....	De por vida
Fundiciones de aluminio	De por vida
Rejillas para cocinar de acero inoxidable.....	De por vida
Tubos de los quemadores en acero inoxidable.....	De por vida
Placas de sellado en acero inoxidable.....	15 años
Rejillas fundidas en acero esmaltadas en porcelana.....	15 años
Quemador trasero infrarrojo de acero inoxidable.....	15 años
Quemador lateral infrarrojo	15 años
Componentes eléctricos	3 años
Todas las demás piezas.....	15 años

Condiciones y limitaciones:

Esta garantía voluntaria muestra un periodo, como lo especifica la tabla mencionada, para productos adquiridos por medio de un distribuidor autorizado de Napoleon, y le da derecho al comprador original (o al beneficiario del obsequio en caso de que un nuevo producto haya sido otorgado como regalo), en el marco de la cobertura indicada relativa a cualquier pieza reemplazada en el periodo de garantía, ya sea por NAPOLEON o un distribuidor autorizado del mismo, a reemplazar una pieza de dicho producto que ha presentado fallas en el uso privado normal como resultado de un defecto de fabricación. La garantía no contempla accesorios ni elementos extras.

Para mayor certeza, el “uso privado normal” de un producto se refiere a que el mismo: ha sido (cuando sea aplicable) instalado por un técnico o contratista autorizado, portador de una licencia, de conformidad con las instrucciones de instalación incluidas con el producto y según todas las normas locales y nacionales de construcción y contra incendios; ha recibido la limpieza y el mantenimiento adecuado de acuerdo a las instrucciones que lo acompañan; y no ha sido usado para fines de servicio comunitario ni comerciales.

En caso de usarse para fines de servicio comunitario o comerciales (cuando sea aprobado), la garantía se reduce a un periodo de dos (2) años. De igual manera, “falla” no incluye: daños causados por sobrecalentamiento ni por condiciones ambientales como vientos fuertes o ventilación inadecuada, rasguños, abolladuras, corrosión, deterioro de acabados pintados o recubiertos, decoloración causada por el calor, elementos de limpieza abrasivos o químicos o exposición ultravioleta, desportillado de piezas porcelanizadas o daños causados por mal uso, accidente, granizo, incendios provocados por grasas, falta de mantenimiento, ambientes hostiles como la presencia de sal o cloro, alteraciones, abuso, negligencia o piezas instaladas de otros fabricantes.

Si usted vive en área costera, o mantiene su producto cerca de una piscina o jacuzzi, el mantenimiento debe incluir lavado y enjuagado frecuente de las superficies exteriores como lo indica el manual del usuario que acompaña al producto, para prevenir corrosión de las superficies. Si ocurrieran deterioros de piezas que impidieran que el equipo funcione (completamente oxidadas o quemadas)

GARANTÍA DE POR VIDA LIMITADA NAPOLEON®

PARA LA SERIE DE MODELOS PRESTIGE®, PRESTIGE PRO™ Y BUILT-IN

dentro del plazo de la cobertura de la garantía, se le proporcionará un reemplazo. Las partes reemplazadas bajo esta garantía están garantizadas sólo por el balance restante del periodo original de quince (15) años mencionado anteriormente.

La pieza de reemplazo es la única responsabilidad de Napoleon, según lo especificado en esta Garantía, y en ningún caso NAPOLEON será responsable de la instalación, mano de obra, ni cualquier otro costo o gasto relacionado con la reinstalación de una pieza comprendida en la garantía; ni de daños adicionales, resultantes o indirectos ni de los cargos de transporte, costos de obra ni impuestos de exportación.

El uso y/o instalación de partes en su producto de Napoleon que no son genuinas invalidarán esta Garantía, y cualquier daño que resulte de esto no será cubierto por esta garantía. Toda conversión de gas del producto que no haya sido autorizada por Napoleon ni realizada por un técnico autorizado por Napoleon invalidarán esta garantía. Esta garantía se proporciona adicionalmente a los derechos que le otorgan las leyes locales.

Estos y otros derechos legales no se ven afectados por la disposición de esta garantía. En consecuencia, esta garantía no impone ninguna obligación a Napoleon de

mantener las piezas en stock. Según la disponibilidad de piezas, Napoleon puede, a su discreción, cumplir con todas las obligaciones al proporcionar a un cliente un crédito prorrateado para un nuevo producto.

Napoleon puede actualizar periódicamente el diseño de sus productos. Nada de lo contenido en esta garantía se interpretará como que obliga a Napoleon a incorporar dichas actualizaciones de diseño en productos fabricados previamente, ni se considerará que admitan que los diseños anteriores eran defectuosos.

El registro de su producto Napoleon confirma la cobertura de su garantía, agilizará cualquier reclamo de garantía que necesite hacer y proporcionará un enlace entre usted y Napoleon en caso de que necesitemos contactarlo. Al realizar reclamos de garantía, los representantes de Napoleon pueden solicitarle la factura de compra o una copia, junto con un número de serie y un número de modelo. Napoleon se reserva el derecho de que un representante autorizado inspeccione cualquier producto o pieza antes de cumplir con cualquier reclamo de garantía. Debe comunicarse con el Servicio de Atención al Cliente de Napoleon o con un distribuidor autorizado de Napoleon para obtener los beneficios cubiertos en esta garantía.

5 YEARS IANS



50 Years of Home
Comfort Solutions.

50 ans de solutions pour
le confort de votre maison.

50 años de soluciones
para el confort del hogar.



NAPOLEON® products are protected by one or more U.S. and Canadian and/or foreign patents or patents pending.

Les produits de NAPOLEON® sont protégés par un ou plusieurs brevets américains, canadiens et/ou étrangers au par des brevets en instance.

Los productos NAPOLEON® están protegidos por una o más patentes o patentes pendientes en E.U., Canadá y/u otros países.



Address | Adresse | Dirección

Wolf Steel Ltd.

24 Napoleon Road, Barrie,
Ontario, L4M 0G8 Canada
103 Miller Drive, Crittenden,
Kentucky, 41030, USA



Telephone | Téléphone | Teléfono

Canada

1-866-820-8686

Online | En ligne | En línea

✉ grills@napoleon.com

🌐 www.napoleon.com