

Astound FlexMount

NEFL50AB | NEFL62AB | NEFL74AB | ELECTRIC FIREPLACE



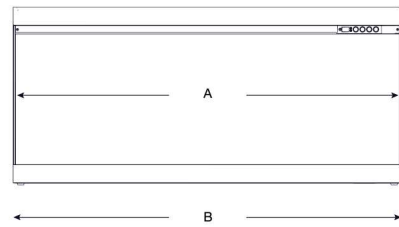
LINEAR COMPARISON

ELECTRIC FIREPLACES

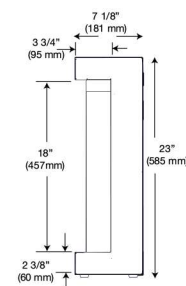
Specifications

Model No.	DIMENSIONS	
	A (Inside Width)	B (Outside Width)
NEFL50AB	49 11/16" (1262mm)	50" (1270mm)
NEFL62AB	61 11/16" (1567mm)	62" (1575mm)
NEFL74AB	73 11/16" (1882mm)	74" (1880mm)

FRONT VIEW



SIDE VIEW



TOP VIEW



EXPERIENCE THE POWER OF FIRE

Napoleon's Power of Fire research has proved a fireplace can help reduce stress and stimulate your brain.

Scan to learn more about the research and health benefits of fireplaces



24 Napoleon Road, Barrie, Ontario, Canada L4M 0G8
 103 Miller Drive, Crittenden, Kentucky, USA 41030
 7200 Trans Canada Highway, Montreal, Quebec, Canada H4T 1A3



Consult your owner's manual for complete installation instructions and proper clearances to combustible materials. Check all local and national building codes and gas regulations. All specifications are subject to change without prior notice due to on-going product improvements. Products may not be exactly as shown. Flame height and activity is influenced by varying vent configurations and may not appear as shown. Napoleon is a registered trademark of Wolf Steel Group Inc. EnerGuide - A Canadian efficiency standard based on frequent, short start-up and cool-down cycles. All appliances sold in Canada are subject to this EnerGuide rating system. AFUE- A US efficiency standard (Department of Energy) based on extended on/off cycles, more typical of fireplace usage. Steady State - Reflects the highest possible overall heating efficiency.

Napoleon is a trademark of Wolf Steel Group Inc. and is used under license.
 Napoléon est une marque de commerce du Groupe Wolf Steel Inc. et est utilisée sous licence.

ADBRN1-ASTNDFM



The Astound FlexMount Electric Fireplace offers unparalleled versatility, seamlessly integrating into any space with wall mount, partially recessed, or fully recessed options. Choose from 1, 2, or 3-sided installations to customize your living space and create an environment that reflects your personal style. Experience realism with spark effect flames, while enjoying greater control through the Napoleon Home mobile app. The Astound Fireplace combines unmatched versatility, convenience, and realism to instantly enhance your home.

FEATURES

- Requires no venting for easy and cost-effective installations
- Installation options include wall mount, partially or fully recessed and can be configured as 1-sided, 2-sided or 3-sided
- 13 ember bed and top light color options controlled via included remote; more customization offered via the Napoleon Home mobile app
- Includes finishing edge panels and trim
- ECO mode: runs at half heat – consuming less energy (2,500 BTU's)
- BOOST mode: heater at max heat with increased blower speed (5,000 BTU's)
- 120V delivers 5,000 BTU's/1,500 watts and 240V delivers 10,000 BTU's/3,000 watts (hardwire only)
- Sizes (width): 50", 62", 74"

CUSTOMIZE

MEDIA:



Included: Beach Fire Log set and Woodland media kit

OPTIONAL ENHANCEMENT KITS:



Birch logs



Glass beads



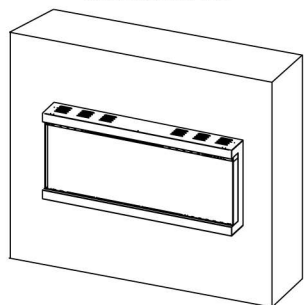
Mineral rock



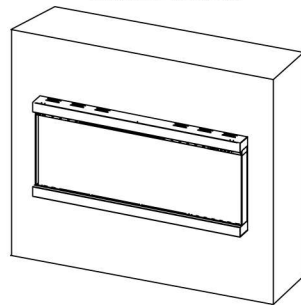
Black crystals

Installation

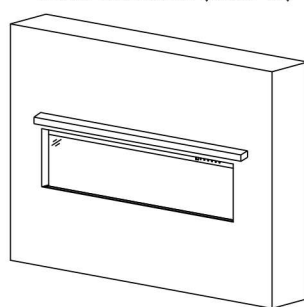
WALL MOUNTED



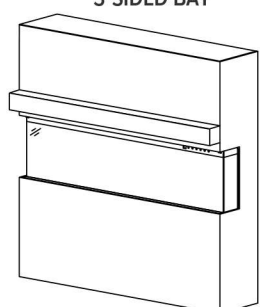
PARTIAL RECESS



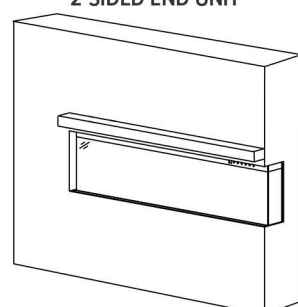
FULLY RECESSED (BUILT-IN)



3-SIDED BAY



2-SIDED END UNIT



FLAME COLORS:



Orange



Yellow



Combined



CONTROLS

REMOTE

The included remote controls every function of your fireplace including; on/off, thermostat, 7-day schedule feature, flame, ember bed and top lights.

NAPOLEON HOME APP

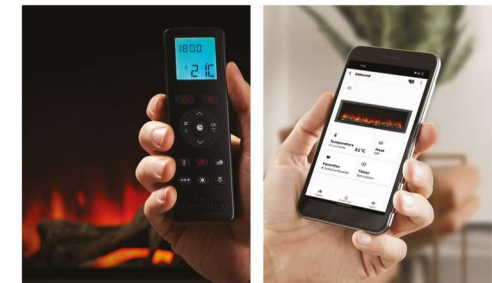
Access more options not included on the remote with the Napoleon Home app. Create your Favorite settings, set a schedule, and choose from a multitude of flame, ember bed and top light combinations.

SMART HOME SYSTEM

Easily control select fireplace settings with the sound of your voice through Google Home and Alexa devices.

WALL MOUNT REMOTE

This optional remote is ideal for commercial settings and features black and white faceplate options.



INNOVATIONS

INSTALLATION VERSATILITY

The ability to be installed as 1, 2, or 3-sided offers seamless integration, customized ambiance from multiple angles, and suits diverse room layouts and design preferences.

FLAME TECHNOLOGY

Featuring flame colors (orange and yellow) and stunning spark technology that mimics a real fire.

SMART TECHNOLOGY

Offers the ability to connect to your phone so you can easily and conveniently control every feature of the fireplace from anywhere, even when you're not home.

