



SEDONA BY LYNX™ SERIES

36" SEDONA BUILT-IN GRILL

WITH 3 STAINLESS STEEL BURNERS AND ROTISSERIE (L600R)



OPEN VIEW

L600R PRODUCT OVERVIEW

- Variable power—three Stainless Steel Burners combining to provide up to 69,000 BTU
- Consistent assurance—direct spark ignition with battery backup
- Perfect clarity—dual halogen grill surface lights
- Quick visibility—temperature gauge
- Easy opening—Lynx Hood Assist
- Ready rotisserie—dedicated rotisserie back burner, motor, spit rods, and forks
- Ample capacity—891 square inches of cooking surface (618 primary, 273 secondary)
- Beautiful illumination—blue-lit control knobs
- Steady performance—heat-stabilizing design
- Smooth opening—fluid rotation handle
- Premier platform—stainless steel grilling grates
- Steadfast durability—heavy-duty welded construction eliminates gaps where grease can collect



FOR A COMPLIMENTARY CUSTOM DESIGN FOR YOUR OUTDOOR KITCHEN, VISIT LYNXGRILLS.COM/DESIGN-CENTER

L600R PRODUCT FEATURES

The Sedona by Lynx™ Series is always evolving to be the best at something new. That philosophy is reflected in its features. We've refined these features to give you a grilling experience that's both simple and stunning.



ROTOSSERIE SYSTEM



STAINLESS STEEL BURNERS



CERAMIC RADIANT BRIQUETTES



SEAMLESS WELDED CONSTRUCTION



EXPANSIVE GRILLING SURFACE



SPARK IGNITION SYSTEM



LYNX HOOD ASSIST



INTEGRATED ILLUMINATION

FOR MORE INFORMATION ON SEDONA BY LYNX™ SERIES PRODUCT FEATURES, PLEASE VISIT LYNXGRILLS.COM

PRODUCT TECHNICAL SPECIFICATIONS



CUT-OUT DIMENSIONS: WIDTH: 35" / HEIGHT: 10" / DEPTH: 21.25"



SHIPPING DIMENSIONS: WIDTH 33.5" / HEIGHT 41" / DEPTH 30"
SHIPPING WEIGHT: 180 POUNDS



GAS REQUIREMENTS: SHIPS IN LIQUID PROPANE OR NATURAL GAS FROM FACTORY

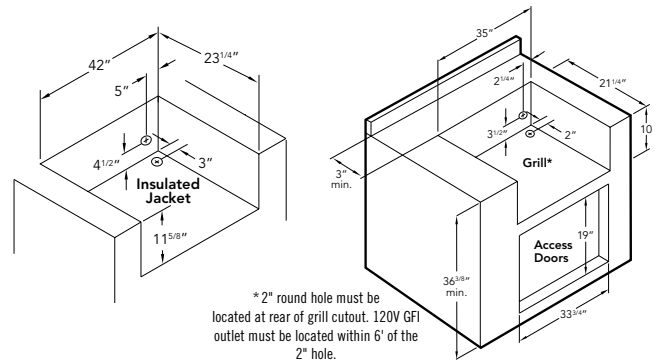


ELECTRICAL REQUIREMENTS: INSTALLATION REQUIRES AN OUTDOOR 120V/15GFI ELECTRICAL OUTLET ADJACENT TO PRODUCT



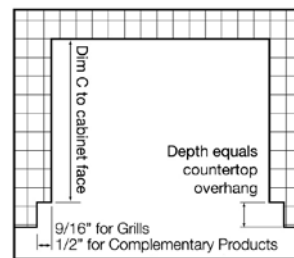
COOKING CONFIGURATION: BUILT-IN GRILL WITH 1 PROSEAR INFRARED BURNER AND 1 STAINLESS STEEL BURNER

L600 ISLAND PREPARATION



PRODUCT SPECIFICATIONS & INSTALLATION

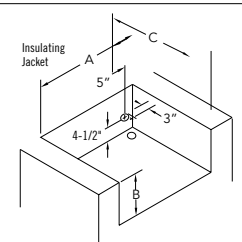
COUNTERTOP NOTCH DETAIL



INSULATING JACKET

BUILT-IN GRILL WITH INSULATING JACKET

Model	A	B	C
L600	35"	10"	21 1/4"



Note: Insulating jacket required for all grills installed into a combustible enclosure. For natural gas grills, Lynx recommends using 3/4" gas lines. Side burners may be rotated 90 degrees. See installation manuals for details.