

**Series: 520, 530**

(Media purchased separately)

Certified to:  
**ANSI Z21.97/CSA 2.41**  
 for outdoor decorative  
 gas appliances



**⚠ WARNING: For Outdoor Use Only.**  
 Installation and service must be performed by an  
 NFI certified or other qualified installer, service  
 agency, or the gas supplier.

## ECLIPSE & WAVE OUTDOOR FIRE URNS

**⚠ DANGER**  
**FIRE OR EXPLOSION HAZARD**

If you smell gas:

- Shut off gas to the appliance.
- Extinguish any open flame.
- If odor continues, leave the area immediately.
- After leaving the area, call your gas supplier or fire department.

Failure to follow these instructions could result in fire or explosion, which could cause property damage, personal injury, or death.

**⚠ WARNING**

Do not store or use gasoline, or other flammable vapors and liquids, in the vicinity of this or any other appliance.

A LP- cylinder not connected for use shall not be stored in the vicinity of this or any other appliance.

**⚠ WARNING:** If the information in this manual is not followed exactly, a fire or explosion may result causing property damage, personal injury, or loss of life.

**⚠ DANGER**

**CARBON MONOXIDE HAZARD**



This appliance can produce carbon monoxide which has no odor.

Using it in an enclosed space can kill you.

Never use this appliance in an enclosed space such as a camper, tent, car, or home.

**INSTALLER:** Leave this manual with the appliance.  
**CONSUMER:** Retain this manual for future reference.

**Important:** Read these instructions carefully before starting installation of the unit.

**⚠ WARNING**

Improper installation, adjustment, alteration, service, or maintenance can cause property damage, personal injury, or loss of life. Read the installation, operating and maintenance instructions thoroughly before installing or servicing this equipment.

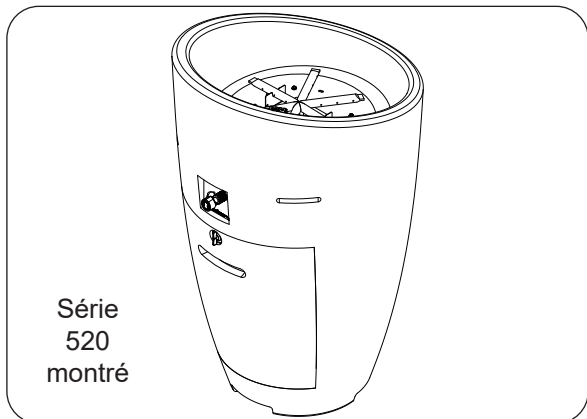
This appliance is designed as an **attended appliance**. **DO NOT** leave this appliance burning when unattended.

**IMPORTANT**

For safe operation and proper performance of this product and to comply with certification, listings, and building code acceptances, use ONLY Peterson AFD controls, parts, decorative media, and accessories that have been specifically listed or certified for use with this burner system. Use of other controls, parts, or accessories is prohibited and will void all warranties, certifications, listings, and building code approvals, and may cause property damage, personal injury, and loss of life.

**CODE AND SUPPLY REQUIREMENTS:**

The installation must conform with local codes and ordinances, or, in the absence of local codes, with the latest *National Fuel Gas Code, ANSI Z223.1*.



Série  
520  
montré

**Series: 520, 530**

(Médias achetés séparément)

Certifié à:  
ANSI Z21.97/CSA 2.41  
pour les appareils à gaz  
décoratifs extérieurs



**⚠ AVERTISSEMENT:** pour usage extérieur uniquement. L'installation et l'entretien doivent être effectués par un installateur certifié NFI ou par un autre installateur qualifié, une agence de service ou le fournisseur de gaz.

## ECLIPSE & WAVE PLEIN FEU URNES

**⚠ DANGER**  
**RISQUE D'INCENDIE OU D'EXPLOSION**

Si vous sentez du gaz:

- Coupez le gaz à l'appareil.
- Éteignez toute flamme nue.
- Si l'odeur persiste, quittez immédiatement la zone.
- Après avoir quitté la zone, appelez votre fournisseur de gaz ou le service d'incendie.

Le non-respect de ces instructions peut entraîner un incendie ou une explosion, ce qui pourrait provoquer des dommages matériels, des blessures corporelles ou la mort.

**⚠ AVERTISSEMENT**

Ne pas stocker ni utiliser d'essence ou d'autres vapeurs et liquides inflammables à proximité de cet appareil ou de tout autre appareil.

Une bouteille LP non connectée pour utilisation ne doit pas être stockée à proximité de cet appareil ou de tout autre appareil.

**⚠ AVERTISSEMENT:** si les informations contenues dans ce manuel ne sont pas suivies à la lettre, un incendie ou une explosion peut en résulter, causant des dommages matériels, des blessures corporelles ou la mort.

**⚠ DANGER**

**RISQUE DE MONOXYDE DE CARBONE**

Cet appareil peut produire du monoxyde de carbone qui n'a pas d'odeur.

L'utiliser dans un espace clos peut vous tuer.

N'utilisez jamais cet appareil dans un espace clos tel qu'un camping-car, une tente, une voiture ou une maison.



**INSTALLATEUR:** Laissez ce manuel avec l'appareil.  
**CONSOMMATEUR:** Conservez ce manuel pour référence future.

**Important:** Lisez ces instructions soigneusement avant de commencer l'installation de l'unité.

**⚠ AVERTISSEMENT**

L'installation, l'ajustement, le changement, le service, ou l'entretien inexact peuvent causer des dégâts matériels, le dommage corporel, ou des pertes humaines. Lisez l'installation, l'opération et les instructions d'entretien complètement avant d'installer ou entretenir cet équipement.

Cet appareil est conçu comme un appareil surveillé. Ne laissez pas cet appareil brûler sans surveillance.

**IMPORTANT**

Pour un fonctionnement en toute sécurité et le bon fonctionnement de ce produit et pour se conformer aux certifications, listes et acceptations des codes du bâtiment, utilisez **UNIQUEMENT** les commandes, pièces, supports décoratifs et accessoires Peterson AFD spécialement répertoriés ou certifiés pour être utilisés avec ce système de brûleur. L'utilisation d'autres commandes, pièces, ou accessoires est interdite et videra toutes les garanties, certifications, listes, et approbations de codes du bâtiment, et peut causer des dégâts matériels, le dommage corporel, et des pertes humaines.

**CONDITIONS DE CODE ET D'APPROVISIONNEMENT:**

L'installation doit se conformer aux codes locaux et aux ordonnances, ou, en l'absence des codes locaux, au plus défunt code national de gaz de carburant, la norme ANSI Z223.1.

## PROPANE GAS CYLINDER WARNING (IF APPLICABLE)

**⚠ DANGER: FLAMMABLE GAS UNDER PRESSURE.  
LEAKING LP-GAS MAY CAUSE A FIRE OR EXPLOSION IF IGNITED  
CAUSING SERIOUS BODILY INJURY OR DEATH.  
CONTACT LP GAS SUPPLIER FOR REPAIRS, OR DISPOSAL OF THIS  
CYLINDER OR UNUSED LP-GAS.**

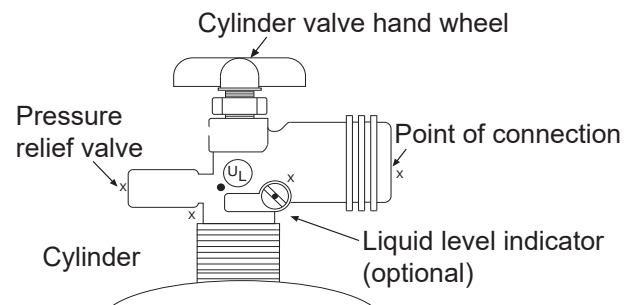
**⚠ WARNING: FOR OUTDOOR USE ONLY.\*  
DO NOT USE OR STORE CYLINDER IN A BUILDING,  
GARAGE OR ENCLOSED AREA.**

### **⚠ WARNING:**

- Know the odor of LP-gas. If you hear, see or smell leaking LP-gas, immediately get everyone away from the cylinder and call the Fire Department. Do not attempt repairs.
- Caution your LP-gas supplier to:
  - Be certain cylinder is purged of trapped air prior to first filling.
  - Be certain not to over fill the cylinder.
  - Be certain cylinder requalification date is checked.
- LP-gas is heavier than air and may settle in low places while dissipating.
- Contact with the liquid contents of cylinder will cause freeze burns to the skin.
- Do not allow children to tamper or play with cylinder.
- When not connected for use, keep cylinder valve turned off. Self contained appliances shall be limited to a cylinder of 20 lb capacity or less.
- Do not use, store or transport cylinder where it would be exposed to high temperatures. Relief valve may open allowing a large amount of flammable gas to escape.
- When transporting, keep cylinder secured in an upright position with cylinder valve turned off.

### **WHEN CONNECTING FOR USE:**

- Use only in compliance with applicable codes.
- Read and follow all labels on the cylinder.
- Read and follow manufacturer's instructions.
- Consult manufacturer's instructions concerning the cylinder connection provided with your appliance.
- Be sure regulator vent is not pointing up.
- Turn off all valves on the appliance.
- Do not check for gas leaks with a match or open flame. Apply soapy water at areas marked "X". Open cylinder valve. If bubble appears, close valve and have LP-gas service person make needed repairs. Also, check appliance valves and connections to make sure they do not leak before lighting appliance.
- Light appliance(s) following manufacturer's instructions.
- When appliance is not in use, keep the cylinder valve closed.



**DO NOT REMOVE, DEFACE, OR OBLITERATE THE LABEL ON THE CYLINDER  
\* EXCEPT AS AUTHORIZED BY ANSI/NFPA 58.**

**⚠ DANGER.** Do not store a spare LP cylinder under or near this or any appliance or other heat sources. NEVER fill an LP cylinder beyond 80% full: a fire causing death or serious injury may occur.

**IN ADDITION TO THIS PAGE, FOLLOW ALL INFORMATION IN THIS MANUAL  
REGARDING PROPANE CYLINDERS, AND FOLLOW ALL LABELS ON THE CYLINDER.**

# AVERTISSEMENT DE CYLINDRE DE GAZ PROPANE (LE CAS ÉCHÉANT)

**⚠ DANGER: Gaz inflammable sous pression. Une fuite de GPL peut causer un incendie ou une explosion s'enflammée entraînant des blessures corporelles graves ou la mort. Communiquer avec le fournisseur de GPL pour les réparations ou pour disposer de cette bouteille ou du GPL non utilisé.**

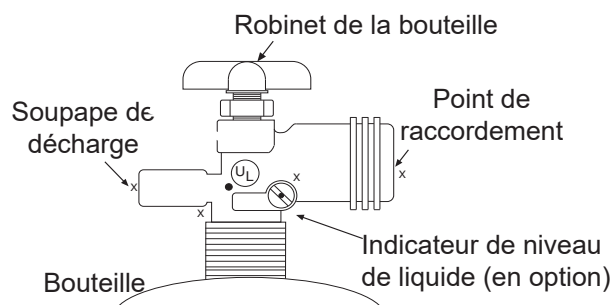
**⚠ AVERTISSEMENT: Pour usage à l'extérieur seulement. \*Ne pas utiliser ni entreposer la bouteille dans un bâtiment, un garage ou un endroit fermé.**

## ⚠ AVERTISSEMENT:

- Apprenez à reconnaître l'odeur du GPL. Si vous entendez, voyez ou sentez une fuite de GPL, éloignez immédiatement toutes les personnes de la bouteille et appelez le service d'incendie. Ne tentez aucune réparation.
- Avertissement pour le fournisseur de GPL:  
Assurez-vous que la bouteille a été purgée de tout l'air avant de procéder au remplissage initial. Assurez-vous de ne pas trop remplir la bouteille. Assurez-vous que la date de requalification de la bouteille a été vérifiée.
- Le GPL est plus lourd que l'air et peut se déposer près du sol avant de se dissiper
- Le contact avec le contenu liquide de la bouteille peut causer des brûlures à la peau par le froid.
- Ne pas permettre aux enfants de jouer avec la bouteille.
- Si la bouteille n'est pas raccordée pour utilisation, s'assurer que le robinet est fermé. Les bouteilles des appareils autonomes de cuisson en plein air doivent être limitées à une capacité d'au plus 20 lb.
- Ne pas utiliser, entreposer ni transporter une bouteille si elle risque d'être exposée à des températures élevées. La soupape de décharge pourrait s'ouvrir et libérer une grande quantité de gaz inflammable.
- Lors du transport, sécuriser la bouteille en position debout et s'assurer que le robinet est fermé.

## Lors du raccordement pour utilisation :

- Utilisez uniquement conformément aux codes en vigueur.
- Lisez et suivez toutes les étiquettes sur le cylindre.
- Lisez et suivez les instructions du fabricant
- Consultez les instructions du fabricant visant le raccordement de la bouteille fournie avec l'appareil.
- Assurez-vous que l'évent du régulateur n'est pas dirigé vers le haut.
- Fermez tous les robinets sur l'appareil.
- Ne pas utiliser d'allumette ou de flamme nue pour vérifier la présence d'une fuite de gaz. Appliquez une solution d'eau savonneuse sur les zones marquées d'un « X ». Ouvrir le robinet de la bouteille. Si des bulles se forment, fermez le robinet et demandez à une personne qualifiée pour l'entretien d'appareils au GPL de faire les réparations requises. Avant d'allumer l'appareil, vérifiez aussi les robinets et les raccordements de l'appareil afin de vous assurer qu'il n'y a pas de fuite.
- Allumez l'appareil selon les instructions du fabricant.
- Lorsque vous n'utilisez pas l'appareil, gardez le robinet de la bouteille fermé.



**NE PAS RETIRER, BARBOUILLER OU EFFACER CETTE ÉTIQUETTE \*SAUF DANS LES CAS PERMIS SELON LES NORMES L'ANSI/NFPA 58 ou la CSA B149.**

**⚠ DANGER.** Ne stockez pas de bouteille de GPL de recharge sous ou à proximité de cet appareil ou de tout autre appareil.

NE remplissez JAMAIS une bouteille de GPL au-delà de 80%: un incendie causant la mort ou des blessures graves peut survenir.

**EN PLUS DE CETTE PAGE, SUIVEZ TOUTES LES INFORMATIONS DE CE MANUEL CONCERNANT LES BOUTEILLES DE PROPANE ET SUIVEZ TOUTES LES ÉTIQUETTES SUR LA BOUTEILLE.**

# TABLE OF CONTENTS

## GETTING STARTED

PRE-INSTALLATION AND PREPARATION SAFETY GUIDELINES .....	6
INSTALLATION SAFETY GUIDELINES.....	7
OPERATING THE UNIT SAFELY AND CORRECTLY .....	7
SAFE USE & MAINTENANCE OF PROPANE GAS CYLINDERS .....	9
GAS SAFETY INFORMATION.....	12
<i>WARNING</i> .....	12
<i>WHEN USING PROPANE GAS</i> .....	12
<i>WHEN USING NATURAL GAS</i> .....	12
<i>INSTALLATION SAFETY GUIDELINES</i> .....	12
<i>OPERATION SAFETY GUIDELINES</i> .....	12
SPECIFICATIONS AND DIMENSIONS .....	13
<i>PRIMARY MEDIA OPTIONS (required)</i> .....	14
<i>SECONDARY MEDIA OPTIONS (optional)</i> .....	14
MINIMUM CLEARANCES.....	15
TOOLS REQUIRED .....	15
PARTS LIST .....	16
IDENTIFICATION PARTS LIST .....	17

## INSTALLATION

IMPORTANT SAFETY INFORMATION.....	18
INSTALLATION.....	18
<i>BEFORE YOU BEGIN</i> .....	18
<i>LOCATION</i> .....	18
<i>GAS SUPPLY SETUP (if applicable)</i> .....	19
<i>FIRE URN ASSEMBLY: ONE-PIECE MODELS</i> .....	19

<i>CONNECT GAS SUPPLY</i> .....	20
<i>LEAK TEST</i> .....	22
<i>REINSTALL BURNER ASSEMBLY (if applicable)</i> .....	22
<i>INSTALL BATTERIES (if applicable)</i> .....	22
<i>LIGHTING TEST</i> .....	22
<i>REPLACE STORAGE DOOR (if equipped)</i> .....	22
DECORATIVE MEDIA PLACEMENT .....	23
<i>LAVA MEDIA</i> .....	23
<i>VOLCANIC STONES</i> .....	23
<i>GLASS MEDIA</i> .....	24
<i>ADDITIONAL SECONDARY OPTIONS</i> .....	24
OPTIONAL COVERS.....	25
<i>OPTIONAL FABRIC COVER</i> .....	25
NOTES PAGE .....	26

## USE, CARE, & SERVICE

LIGHTING INSTRUCTIONS - MANUAL FLAME SENSING CONTROL MODELS .....	27
<i>FOR YOUR SAFETY, READ BEFORE LIGHTING</i> .....	27
<i>TO SHUT OFF GAS TO THE APPLIANCE</i> .....	27
SERVICING AND CLEANING .....	29
<i>ANNUAL CLEAN / INSPECTION GUIDELINES</i> .....	29
<i>CONCRETE CARE</i> .....	30
<i>FUEL CONVERSION KITS</i> .....	30
<i>BATTERY INSTALLATION/REPLACEMENT (if applicable)</i> .....	30
TROUBLESHOOTING.....	31
NOTES PAGE .....	33
WARRANTY .....	34

### IMPORTANT SAFETY INFORMATION

Congratulations on your purchase of an American Fyre Designs outdoor gas fire urn. Made with pride in America, your new urn complies with national safety standards and when installed per these instructions and used as intended it will provide warmth and comfort to your outdoor area for many years.

**Prior to installation and operation ensure that all specifications, dimensions, and minimum clearances stated in this manual are observed. You must read all warnings and safety information, and understand all of the information in this manual. All installation requirements must be observed and met.**

## PRE-INSTALLATION AND PREPARATION SAFETY GUIDELINES

- A. A shut-off valve (not included) in the gas supply line is required.** It must be installed within 6 feet of unit and must be easily accessible. Refer to the NFPA 54 guidelines for further details.
- B.** A sediment trap in the gas supply line is recommended where applicable. It should be installed downstream of the shut-off valve as close to the unit as possible. Refer to the NFPA 54 guidelines for further details.
- C.** Before installing this unit, check the MINIMUM CLEARANCES section to ensure that the surrounding area is **properly sized for the installation.**
- D.** The unit is for outdoor use only. **DO NOT** install or use this appliance inside a building, garage, or any other enclosed area, including recreational vehicles and/or boats. **THIS UNIT MUST BE INSTALLED SO THAT THE VENT OPENINGS AND SURROUNDING AREA OF THE UNIT REMAIN CLEAR AND FREE AT ALL TIMES.**
- E. SOLID FUEL MUST NOT BE BURNED in the unit.**
- F. CHECK GAS TYPE** (natural gas or propane): The gas supply you intend to use may not be the same as that stated on the unit rating plate as purchased. If the gas supply is different, **convert the unit to the gas type you intend to use (IF PERMITTED).** See the FUEL CONVERSION KIT section and contact the dealer for assistance.
- G. FOR NATURAL GAS:** The minimum inlet gas-supply pressure for purposes of input adjustment is **5"** water column (w.c.), and the maximum inlet gas-supply pressure is **10.5"** w.c.  
**FOR PROPANE GAS:** The minimum inlet gas-supply pressure for purposes of input adjustment is **11"** w.c., and the maximum inlet gas-supply pressure is **13"** w.c. **DO NOT INSTALL THIS UNIT IF MINIMUM PRESSURE IS NOT AVAILABLE OR IF MAXIMUM PRESSURE IS EXCEEDED.**
- H. The gas piping system must be sized to provide minimum inlet pressure at the maximum flow rate (BTU/hr).** Undue pressure loss will occur if the pipe is too small, or the run is too long. Gas supply pipe must be 1/2" minimum interior diameter. If the gas line is longer than 20', a larger diameter line may be necessary. Refer to the NFPA 54 guidelines for further details.
- I.** For installations at elevations above 2,000 ft., contact your local dealer or gas supplier before installing. Input ratings should be reduced approximately 4% per 1,000 ft. above sea level. Refer to National Fuel Gas Code.
- J.** The unit and its individual shut-off valve must be disconnected from the gas-supply piping system during any pressure testing of that system at test pressures in excess of 1/2 psi (3.5 kPa). This is accomplished by closing the gas-supply line valve. The unit must be isolated from the gas-supply piping system by closing its individual manual shut-off valve during any pressure testing of the gas-supply piping system at test pressures equal to or less than 1/2 psi (3.5 kPa).
- K.** When an appliance is for connection to a fixed piping system, the installation must conform with local codes, or in the absence of local codes with the National Fuel Gas Code, ANSI Z223.1/NFPA 54; national Fuel Gas Code, Natural Gas and Propane Installation Code, CSA B149.1; or Propane Storage and Handling Code, CSA B149.2, as applicable.
- L. INSTALLER NOTE:** This unit should be installed so that it can be removed if service is required.
- M. GAS-SUPPLY PLUMBING REQUIREMENTS**  
Use a pipe joint compound resistant to all gasses on all NPT pipe fittings. Make sure to tighten every fitting securely. **Do not use pipe joint compound to connect flare fittings.** Bring the gas-supply pipe up from beneath the enclosure near its center (if applicable).
- N. DECORATIVE MEDIA:** The unit does not include the decorative media required for safe operation and proper performance. You **MUST** purchase the American Fyre Designs media separately. Numerous options are available. See the SPECIFICATIONS AND DIMENSIONS (media option) section for details.
- CAUTION:** Installation and maintenance must be done by an NFI Certified or other qualified professional service technician. Installer, read these instructions before installing this product. Be sure you understand all safety precautions and warnings contained in this manual.

## INSTALLATION SAFETY GUIDELINES

- A. Carefully inspect for shipping damage. If any parts are damaged, contact your dealer.
- B. Installation and repair should be done by a qualified professional service technician. The appliance should be inspected before use and at least annually by a qualified service person. More frequent cleaning may be required as necessary. It is imperative that control compartment, burners and circulating air passageways of the appliance are kept clean.
- C. **WEAR GLOVES AND USE EXTREME CAUTION WHENEVER INSTALLING AND HANDLING THIS PRODUCT AND ITS ACCESSORIES AS CERTAIN COMPONENTS HAVE SHARP EDGES THAT CAN CAUSE PERSONAL INJURY.**
- D. Correct installation and proper placement of the unit and decorative media **is crucial** to the safe performance of the unit. See MEDIA PLACEMENT section for details.
- E. **DO NOT** install the unit under any overhead construction that is less than 6 feet above the top of the unit.
- F. Ensure that the unit is installed on a hard and level surface.
- G. **This unit must be installed so that the vent openings and surrounding area of the unit remain clear and free at all times.**
- H. Due to high temperatures, the enclosure and/or unit must be located out of traffic areas and away from combustibles.
- I. **IF APPLICABLE, KEEP THE PILOT/IGNITER/THERMOCOUPLE SCREEN CLEAR OF DECORATIVE MEDIA AND ANY OTHER ITEMS / DEBRIS AT ALL TIMES. THIS WILL ALLOW FOR PROPER IGNITION AND OPERATION. DO NOT COVER.**

## OPERATING THE UNIT SAFELY AND CORRECTLY

- A. **This product is a decorative gas appliance. It is not a cooking appliance.**
- B. **SOLID FUEL MUST NOT BE BURNED in the unit.**
- C. When shutting the unit down—be sure to TURN THE CONTROL VALVE FULLY OFF.
- D. Children MUST be carefully supervised when they are in the area of this appliance.
- E. **DO NOT rest, hang, or place any part of the body, clothing, or other flammable materials on or near the unit surround. Children and adults should be alerted to the hazard of high surface temperatures and should stay away to avoid burns or clothing ignition. DO NOT lean over the unit when lighting or when in use.**
- F. Every time you use the unit, **make sure that:**
  - The area around the enclosure and/or unit is clear and free from combustible materials, gasoline and other flammable vapors and liquids.
  - The vent openings and surrounding area of the enclosure and/or unit are clear and free at all times.
  - **THE PILOT/IGNITER/ THERMOCOUPLE SCREEN IS CLEAR OF DECORATIVE MEDIA AND ANY OTHER ITEMS / DEBRIS (IF APPLICABLE). DO NOT COVER.**
  - The hose is inspected (if applicable). See the SAFE USE & MAINTENANCE OF PROPANE-GAS CYLINDERS section.
  - The burner flame appears normal. If the flame is uneven, low, or high, immediately shutdown and refer to the TROUBLESHOOTING section for details.
- G. **WARNING: HOT WHILE IN OPERATION AND FOLLOWING OPERATION. Serious injury can occur! DO NOT throw trash, paper, or other flammable materials onto the unit. **Adults MUST be present when this gas appliance is operating. This appliance MUST NOT be left burning when unattended or while anyone is sleeping.**  
**DO NOT operate this unit when exposed to heavy rain. Operating in heavy rain can cause unit to turn on and off or not stay lit.**  
**DO NOT operate this unit in high-wind conditions. Operating in high-wind conditions may expose your unit to direct flame, which will result in cracking and discoloration to the finish.****
- H. **DO NOT** continue using if you smell unusual odors, or have headaches, nausea, or dizziness.
- I. **DO NOT** store any combustible materials, gasoline, and any other flammable vapors/liquids in the vicinity of the unit. Provide adequate clearance for servicing and operation.
- J. Matches, paper, garbage, or any other material must not be thrown onto the unit or into the flame.
- K. **DO NOT** use the unit if any part of it has been underwater. Immediately call a qualified professional service technician to inspect the unit and to replace any part of the control system and any gas control that has been underwater.
- L. **WARNING:** Food cannot be consumed after coming in direct contact with the surface of the unit due to possible contamination.

# UTILISATION SÛRE ET ENTRETIEN DES CYLINDRES DE GAZ DE PROPANE

## IMPORTANT POUR VOTRE SÛRETÉ

### LISEZ ET SUIVEZ TOUS LES AVERTISSEMENTS ÉQUIPÉS DE VOTRE CYLINDRE DE GAZ DE PROPANE.

En actionnant cet appareil avec un cylindre de gaz de propane ON DOIT observer ces instructions et avertissements.

**LE MANQUE DE FAIRE AINSI PEUT AVOIR COMME CONSÉQUENCE UNE INCENDIE OU UNE EXPLOSION SÉRIEUSE.**

### CYLINDRE ET CONDITIONS ET CARACTÉRISTIQUES DE CONNECTEUR

- Les bouteilles, les vannes et les tuyaux de propane doivent être entretenus et inspectés avant chaque utilisation. Ils doivent être remplacés en cas de dommages visibles. Si le tuyau est coupé ou présente des signes d'abrasion ou d'usure, il doit être remplacé avant utilisation (**voir e.**).
- Cette unité, lorsqu'elle est utilisée avec une bouteille, doit être connectée à une bouteille standard de gaz propane de 5 gallons (20 lb) équipée d'un dispositif anti-débordement répertorié. L'appareil est obligatoire sur toutes les bouteilles vendues depuis le 1er octobre 1998 afin d'empêcher tout remplissage excessif.
- Les dimensions du cylindre doivent être d'environ 12" (30,5 cm) de diamètre et 18" (45,7 cm) de hauteur. Les bouteilles doivent être construites et marquées conformément aux spécifications du ministère des Transports (DOT) pour les bouteilles à gaz LP ou à la norme relative aux bouteilles, sphères et tubes pour le transport des marchandises dangereuses et à la Commission, CAN / CSA-B339, selon le cas.
- La bouteille utilisée doit comporter un collier pour protéger le robinet de la bouteille. Le système d'alimentation de la bouteille doit être conçu pour le retrait de la vapeur. Voir Fig. 8-1.
- Lorsqu'il est utilisé avec une bouteille, le système d'alimentation en gaz doit être utilisé avec un régulateur de pression. Le montage du régulateur de pression et le flexible (Fig. 8-1) fourni avec cet appareil au gaz en plein air (**modèles au propane seulement**) doit être utilisé. Les régulateurs de pression d'origine et de remplacement et les ensembles de tuyaux doivent être ceux spécifiés par le fabricant pour la connexion avec un dispositif de connexion de bouteille identifié comme Type I par l'ANSI Z 21.58/CGA 1.6 et doivent être conformes à UL 144 en tant que partie du gaz propane autonome système d'alimentation (voir la liste des pièces pour les informations de commande).
- La valve de cylindre de gaz de propane doit être équipée d'un dispositif d'accouplement de raccordement de cylindre, décrit comme type I dans la norme définie dans le e. de paragraphe ci-dessus. Ce dispositif est généralement décrit comme coupleur de fil de point culminant.
- Si la bouteille est livrée avec un bouchon anti-poussière, placez-le sur la sortie du robinet de la bouteille chaque fois que la bouteille n'est pas utilisée. Installez uniquement le type de capuchon anti-poussière sur la sortie du robinet de la bouteille qui est fourni avec le robinet de la bouteille. D'autres types de bouchons ou de bouchons peuvent entraîner des fuites de propane.

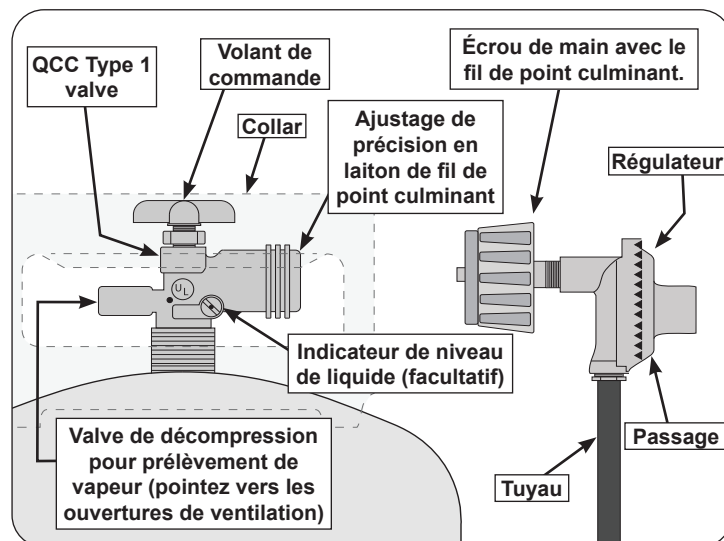


Fig. 8-1 Type coupleur de fil de point culminant d'I

### OPÉRATION DE COUPLEUR

**Pour relier le régulateur/hose à l'ajustage de précision de valve de cylindre de gaz de propane:** Serrez l'écrou de main sur le régulateur au-dessus de l'ajustage de précision de fil de point culminant sur la valve de cylindre. Tournez l'écrou de main dans le sens des aiguilles d'une montre pour engager les fils et pour serrer jusqu'à ce que douillettement. L'utilisation des pinces ou de la clé ne devrait pas être nécessaire. Seulement le "propane" marqué par cylindres doit être employé.

**Pour déconnecter:** tournez l'écrou à main dans le sens antihoraire jusqu'à ce qu'il soit détaché (Fig. 8-1)



# SAFE USE & MAINTENANCE OF PROPANE GAS CYLINDERS

## IMPORTANT FOR YOUR SAFETY

### READ AND FOLLOW ALL WARNINGS PROVIDED WITH THE PROPANE-GAS CYLINDER.

When operating this appliance with a propane-gas cylinder, these instructions and warnings **MUST** be observed.

**FAILURE TO DO SO MAY RESULT IN A SERIOUS FIRE OR EXPLOSION.**

## CYLINDER/CONNECTOR REQUIREMENTS

- a. Propane-gas cylinders, valves, and hoses must be maintained in good condition and inspected before each use of appliance. They must be replaced if there is any visible damage. If hose is cut or shows excessive abrasion or wear, it must be replaced before using appliance (see e.).
- b. This unit, when used with a cylinder, should be connected to a standard 5-gallon (20 lb.) propane-gas cylinder equipped with a listed overfilling prevention device. The device has been required on all cylinders sold since October 1, 1998, to prevent overfilling.
- c. Cylinder dimensions should be approximately 12" (30.5 cm) in diameter and 18" (45.7 cm) high. Cylinders must be constructed and marked in accordance with the U.S. Department of Transportation (D.O.T.) *Specifications for LP-Gas Cylinders*, or the *Standard for Cylinders, Spheres, and Tubes for Transportation of Dangerous Goods and Commission, CAN/CSA-B339*, as applicable.
- d. The cylinder used must include a collar to protect the cylinder valve. The cylinder supply system must be arranged for vapour withdrawal. See Fig. 9-1.
- e. When used with a cylinder, the gas supply system must be used with a pressure regulator. The pressure regulator and hose assembly (Fig. 9-1) supplied with this outdoor gas appliance (**L.P. models only**) must be used. Original and replacement pressure regulator and hose assemblies must be those specified by the manufacturer for connection with a cylinder connecting device identified as Type I by the ANSI Z 21.58/CGA 1.6 and must comply with UL 144 as a part of the self-contained LP gas supply system (see PARTS LIST for ordering information).
- f. The propane-gas cylinder valve must be equipped with a cylinder connection device, described as Type I in the standard defined in paragraph e. above. This device is commonly described as an Acme thread coupler.
- g. If the cylinder comes with a dust plug, place it on the cylinder valve outlet whenever the cylinder is not in use. Only install the type of dust cap on the cylinder valve outlet that is provided with the cylinder valve. Other types of caps or plugs may result in leakage of propane.

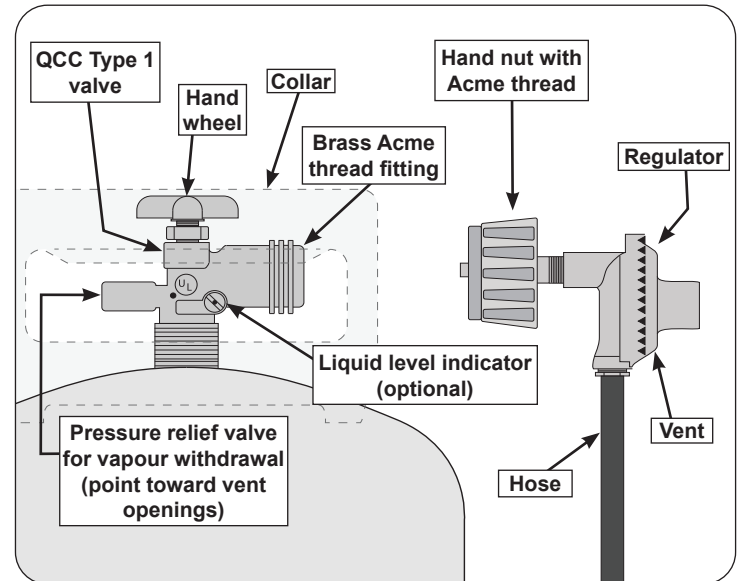


Fig. 9-1 Type I Acme thread coupler

## COUPLER OPERATION

**To connect the regulator/hose assembly to the propane-gas cylinder valve fitting:** Press the hand nut on the regulator over the Acme thread fitting on the cylinder valve. Turn the hand nut clockwise to engage the threads and tighten until snug. The use of pliers or a wrench should not be necessary. Only cylinders marked "propane" may be used.

**To disconnect:** Turn the hand nut counterclockwise until detached (Fig. 9-1).

**Important:** Avant d'employer le unité, et ensuite chaque fois que le cylindre est enlevé et rattaché, examinez tous les raccords pour détecter les fuites. Arrêtez les valves de unité et ouvrez la valve principale de cylindre, puis vérifiez les raccords avec de l'eau savonneuse. Réparez toutes les fuites avant d'allumer le unité.

**ATTENTION:** Tournez toujours la valve principale de cylindre de propane au loin après chaque utilisation, et avant de déplacer le unité et le cylindre, ou débrancher l'accouplement. Cette valve doit rester fermée et le cylindre a débranché alors que l'appareil n'est pas en service, quoique l'écoulement de gaz soit arrêté par un dispositif de sûreté quand le coupleur est débranché.

**Inspectez soigneusement** l'ensemble de tuyau chaque fois avant que le gaz soit allumé. Un tuyau fissuré ou effiloché doit être immédiatement remplacé.

Si l'appareil est stocké à l'intérieur, le cylindre doit être disconnected et a enlevé. Des cylindres Disconnected doivent être stockés dehors, hors de la portée des enfants, avec les prises de valve filetés étroitement installées, et ne doivent pas être stockés dans un bâtiment, le garage, ou n'importe quel autre secteur inclus.

## POUR VOTRE SÛRETÉ

- a. Ne stockez pas un cylindre de gaz disponible de propane dessous ou ne vous approchez pas de cet appareil.
- b. Ne remplissez jamais cylindre au delà de 80 pour cent de plein.
- c. SI L'INFORMATION DANS "A" ET "B" N'EST PAS SUIVIE EXACTEMENT, UN FEU CAUSANT LA MORT OU DES DOMMAGES SÉRIEUX PEUT SE PRODUIRE.
- d. **Connexions CGA 791 sur les bouteilles de GPL :** l'élément d'étanchéité en élastomère de la face de la bouteille de ces appareils peut, au fil du temps, présenter des dommages ou une détérioration marqués et visibles susceptibles de provoquer une fuite même avec la connexion serrée. Une inspection visuelle du joint doit être effectuée chaque fois qu'une bouteille de GPL est remplacée ou remplie. Toute bouteille de GPL présentant des signes de dommages ou de détérioration, tel qu'illustré à la Fig. 10-1, y compris des fissures et des piqûres visibles, doit être remplacée.

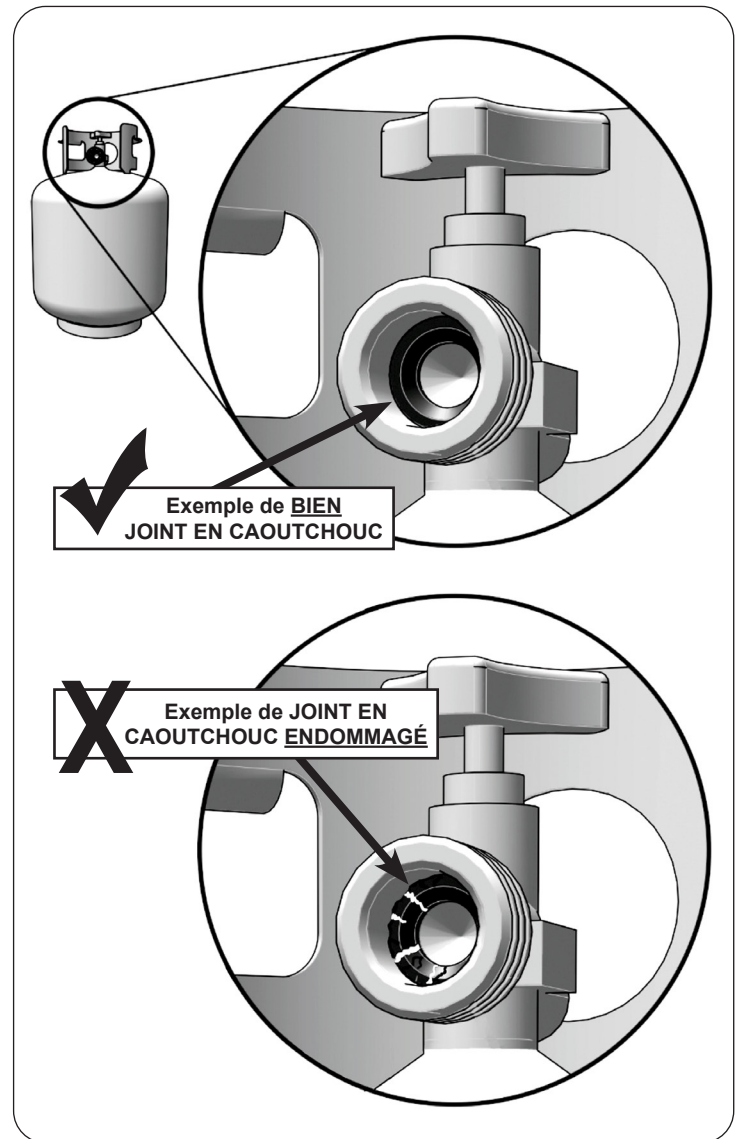


Fig. 10-1 Inspecter le joint en caoutchouc

## SAFE USE & MAINTENANCE OF PROPANE GAS CYLINDERS (Cont.)

**Important:** Before using the unit, and after each time the cylinder is removed and reattached, check the hose for wear (see a.) and check all connections for leaks. Turn off the unit valves and open the main cylinder valve, then check connections with soapy water. Repair any leaks before lighting the unit.

**CAUTION:** Always turn the propane cylinder main valve off after each use, and before moving the unit and cylinder or disconnecting the coupling. This valve must remain closed and the cylinder disconnected while the appliance is not in use, even though the gas flow is stopped by a safety feature when the coupler is disconnected.

**Carefully** inspect the hose assembly each time before the gas is turned on. A cracked or frayed hose must be replaced immediately.

If the appliance is stored indoors, the cylinder must be disconnected and removed. Disconnected cylinders must be stored outdoors, out of the reach of children, with threaded valve plugs tightly installed, and must not be stored in a building, garage, or any other enclosed area.

### FOR YOUR SAFETY

- A. DO NOT store a spare propane-gas cylinder under or near this appliance.
- B. NEVER fill the cylinder beyond 80-percent full.
- C. IF THE INFORMATION IN a. AND b. IS NOT FOLLOWED EXACTLY, A FIRE CAUSING DEATH OR SERIOUS INJURY MAY OCCUR.
- D. **CGA 791 connections on LP gas cylinders:** The cylinder face elastomeric face seal element on these devices could, over time, show marked and visible damage or deterioration that might cause a leak even with the connection tightened. A visual inspection for the seal must be carried out every time a LP gas cylinder is replaced or refilled. Any LP gas cylinder showing signs of damage or deterioration as illustrated in Fig. 11-1, including visible cracks and pitting, must be replaced.

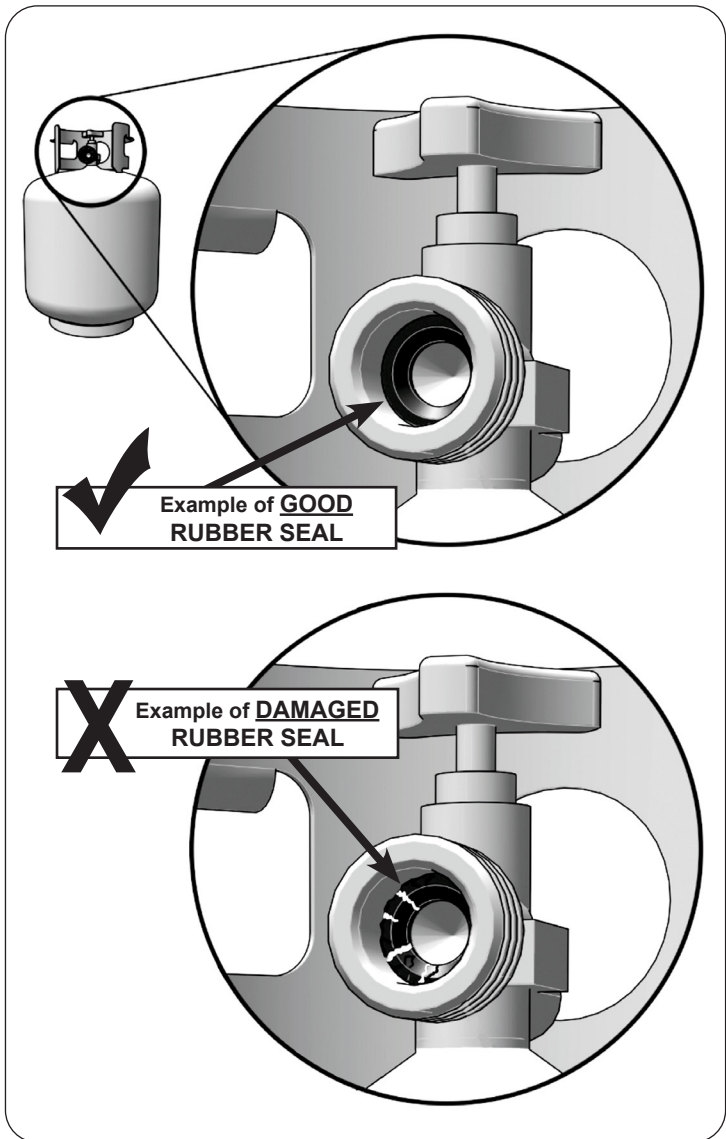


Fig. 11-1 Inspect rubber seal

# GAS SAFETY INFORMATION

**WHEN OPERATING THIS GAS APPLIANCE, ALL INSTRUCTIONS AND WARNINGS MUST BE OBSERVED. FAILURE TO DO SO MAY RESULT IN A FIRE OR EXPLOSION CAUSING PROPERTY DAMAGE, BODILY INJURY, OR DEATH.**

## WARNING

This appliance **MUST** be installed and operated according to the information found in this manual. **FAILURE TO PROPERLY VENT THE UNIT MAY RESULT IN A FIRE OR EXPLOSION CAUSING PROPERTY DAMAGE, BODILY INJURY, OR DEATH.**

A leaking gas connection or valve unintentionally left open will create a hazard.

### WHEN USING PROPANE GAS

- **Propane gas** (also known as **L.P. gas**) is heavier than air and will accumulate or pool in an inadequately vented enclosure or recessed area.
- If a pool of **propane gas** is ignited, an explosion will occur. Adequate venting at the floor level, or the lowest point where gas could accumulate, eliminates this danger.
- DO NOT store a spare propane-gas cylinder in or near the unit.

### WHEN USING NATURAL GAS

- **Natural gas** is lighter than air and will accumulate at the top of an inadequately vented enclosure.
- If an accumulation of **natural gas** is ignited, an explosion will occur. Adequate venting at the top of the unit eliminates this danger.

### INSTALLATION SAFETY GUIDELINES

**THIS UNIT MUST BE INSTALLED SO THAT THE VENT OPENINGS AND SURROUNDING AREA OF THE UNIT REMAIN CLEAR AND FREE AT ALL TIMES.**

**The gas cylinder, regulator, and rubber hose must be in a location not subject to temperatures above 125° F (51° C).**

**IF A PROPANE CYLINDER IS INSTALLED: THE GUIDELINES FOUND IN THE SAFE USE & MAINTENANCE OF PROPANE GAS CYLINDERS SECTION MUST BE FOLLOWED.**

### OPERATION SAFETY GUIDELINES

Every time you use the unit, **make sure that:**

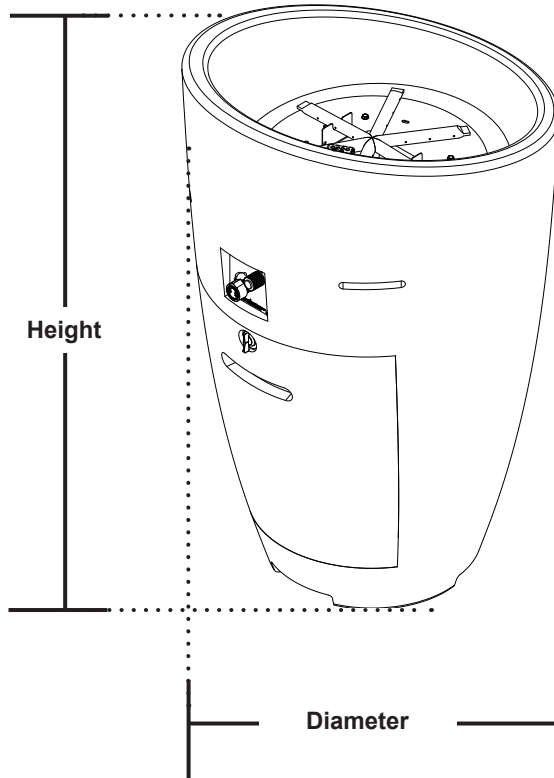
1. The area around the unit is clear and free from combustible materials, gasoline and flammable vapors/liquids.
2. The required vent openings and surrounding area of the unit are clear and free at all times.
3. The hose is inspected (if applicable). See **SAFE USE & MAINTENANCE OF PROPANE-GAS CYLINDERS** section.

**DO NOT** store any combustible materials, gasoline, and any other flammable vapors/liquids in the vicinity of the unit. Provide adequate clearance for servicing and operation.

# SPECIFICATIONS AND DIMENSIONS

Style	BTUs		Dimensions	Weight
	Nat.	L.P.		
Eclipse (520)	60,000	60,000	23" dia. x 37 1/2" h	150 lbs
Wave (530)	60,000	60,000	20" dia. x 37 1/2" h	120 lbs

**Table 1 - Product Specification**



Description	Specification	Qty.
Igniter battery type	AA battery	1

**Table 2 - Technical Data**

## SPECIFICATIONS AND DIMENSIONS (cont.)

Only the American Fyre Designs decorative media options listed below are approved for use with this product. Follow the recommendations for media amounts. All decorative media options are purchased separately; contact your local American Fyre Designs dealer when ordering.

### PRIMARY MEDIA OPTIONS (required)

One of the options (lava/glass) is required for safe operation and proper performance. Place first.

#### When using lava media:

Style	Recommended Amount of Lava Granules / Coals
Eclipse (520)	20 lbs
Wave (530)	15 lbs

**Table 3 - Lava Recommendations**

#### When using glass media:

Style	Recommended Amount of Glass / Gems
Eclipse (520)	30 lbs
Wave (530)	20 lbs

**Table 4 - Glass Recommendations**

### SECONDARY MEDIA OPTIONS (optional)

Secondary options such as volcanic stones / river stones / creekstone / fyre spheres / wood chunks / and glass nuggets (purchased separately) may also be placed on top of the lava or glass media.

#### Volcanic Stones Information

- If option is chosen, use VS-12 (12 lbs)
- **Not for use when an L.P. Cylinder is installed within the fire urn unit.**

## MINIMUM CLEARANCES

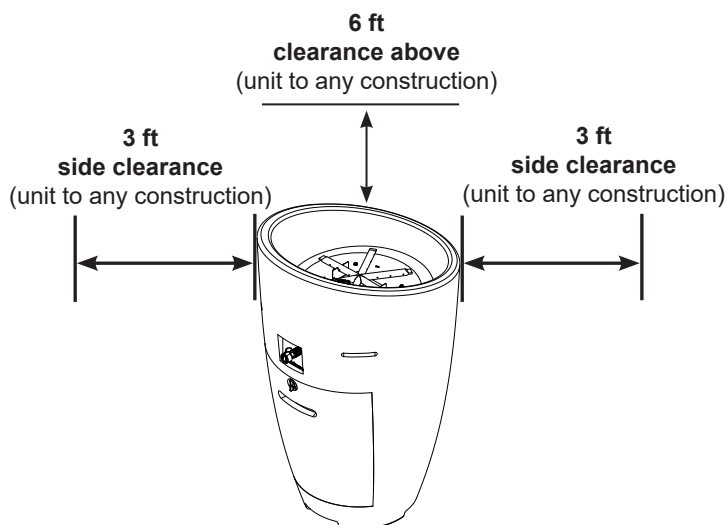
The dimensions shown below are **MINIMUM CLEARANCES** to maintain when you install the unit.

**ALL CLEARANCES AND INFORMATION STATED HERE MUST BE MAINTAINED AND FOLLOWED.**

**Note:** Over time sooting may occur on the ceiling above the unit (if applicable).

Description	Dimension
Side clearance (from unit edge to any construction)	3 ft
Clearance above unit (from unit top to any construction)	6 ft
Clearance below unit	0"

**Table 5 - Minimum Clearances**



Floor must be a hard, level surface. Combustible materials permitted.

## TOOLS REQUIRED

The following are the minimum tools required for the installation of your unit. Additional tools may be required for your individual installation.

- 2 (or more) assemblers recommended
- appropriate tools for gas supply install
- $\frac{5}{16}$ " nut driver (or equivalent)
- $\frac{9}{16}$ " open-end wrench (or equivalent)
- 20mm socket (or equivalent)

# PARTS LIST

- In addition to the appropriate Common Replacement Parts List, reference the appropriate Identification Parts List.
- Decorative media is purchased and packaged separately. Various styles are available.
- Your unit is packaged onto 1 pallet.
- Decorative media and replacement parts can be ordered from your local American Fyre Designs dealer.
- Select models are illustrated (your model may vary)

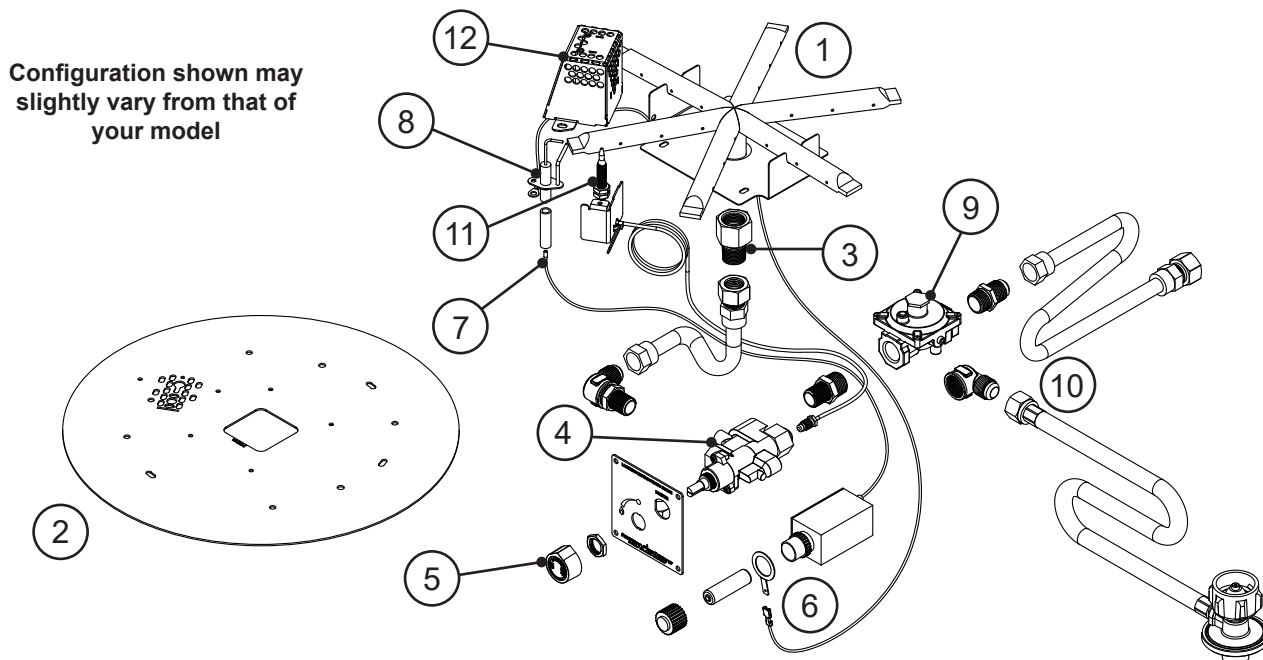
**IMPORTANT**  
Remove all packing material (including any protective coatings) and discard prior to use.

**SOME COMPONENTS  
ARE HEAVY  
HANDLE WITH CARE**

## COMMON REPLACEMENT PARTS LIST - FIRE URN M2 MANUAL FLAME SENSING CONTROL MODELS

Item	Description	Part No.	Qty.
1.	12" star burner, only	OBS-12	1
2.	Round burner plate	OBP-12A	1
3.	Orifice (Nat.)	14226-25	1
or	Orifice (L.P.)	14225-42	1
4.	Control valve w/ knob assembly	AV-38	1
5.	Control knob (only)	KNOB-7	1
6.	Igniter module *	OCR-34-21	1
7.	Igniter electrode wire	WI-31	1
8.	Igniter electrode	4732-061	1
9.	Pressure regulator (Nat. only)	PR-4	1
10.	Flex connector (Nat. only)	3035	1
or	L.P. regulator and hose assembly (L.P. only)	5110-07	1
11.	Thermocouple	SV-30-1	1
12.	Igniter screen	THS-2	1

\* when purchasing Item 6, Item 7 must also be purchased



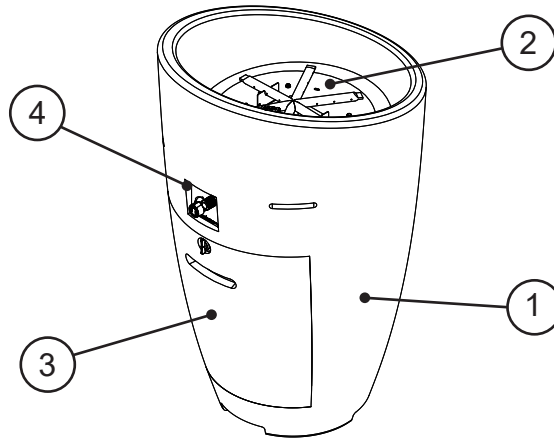


# IDENTIFICATION PARTS LIST

Item	Description	Qty.
1.	Complete enclosure assembly	1
2.	Burner assembly	1
3.	Base door *	1
4.	Control panel †	1

\* if equipped

† design will vary by model



## IMPORTANT SAFETY INFORMATION

### BE CAREFUL

If not installed and used correctly per these instructions, this product can cause serious injury.

**CAUTION:** Installation and maintenance must be done by an NFI Certified or other qualified professional service technician. Read these instructions before installing this unit. Be sure you understand all safety precautions and warnings contained in this manual.

**A. FOR OUTDOOR USE ONLY.**

**B.** When shutting the unit down—be sure to **TURN THE CONTROL VALVE FULLY OFF.**

**C. WARNING: CARBON MONOXIDE POISONING MAY LEAD TO DEATH. DO NOT MODIFY THIS UNIT OR ITS CONTROLS, EXCEPT AS PROVIDED FOR IN THIS MANUAL.** Any other change may be dangerous. Improper installation or use of the unit can cause serious injury or death from fire, burns, explosions, or carbon monoxide poisoning.

**D.** Check state and local codes to determine if the unit is permitted in your locality before installation.

**E.** Select models allow for an adjustable flame height. **THESE SETTINGS MUST ALWAYS BE HIGH ENOUGH FOR THE FLAME TO BE CLEARLY VISIBLE. WHEN LIGHTING THE UNIT, ALWAYS LIGHT ON HIGH.**

## INSTALLATION

### BEFORE YOU BEGIN

**Important:** Prior to installation ensure that all specifications, dimensions, and minimum clearances stated in this manual are observed. You must read all warnings and safety information, and understand all of the information in this manual. **All installation requirements must be observed and met.**

**WARNING:** Failure to position the parts in accordance with these diagrams or failure to use only parts specifically approved with this appliance may result in property damage or personal injury.

- Confirm the installation site accommodates the unit per the requirements in this manual.
- Be sure the gas supply (propane or natural) is turned off at its source.
- **Wear gloves and use extreme caution** whenever installing and handling this product and its accessories as certain components have sharp edges that can cause personal injury.
- Remove all packing material (including any protective coatings) and discard prior to installation.

### LOCATION

While following all requirements and safety information in this manual (see MINIMUM CLEARANCES section); determine and prepare the location of the unit (a hard and level surface).

**Note:** A combustible surface is permitted.

**Important:** The gas supply must be considered when determining the location of the unit. See **GAS SUPPLY SETUP** section for details (if applicable).

**HANDLING OF THE UNIT REQUIRES TWO OR MORE PEOPLE.  
EXERCISE EXTREME CARE DURING ASSEMBLY AND INSTALLATION.**

## INSTALLATION (cont.)

### GAS SUPPLY SETUP (if applicable)

#### For Natural or Household Propane Gas Supply:

The gas supply is to be brought up from beneath the unit near its center. Your individual installation may vary. **Observe the National Fuel Gas Code (NFPA 54) and all local codes, and leak test at all connections.**

1. Ensure the gas supply is properly routed into the area that the unit will rest over.

**Note:** The gas supply or another flex can also be routed through the side of the unit (through a ventilation opening at the floor).

**Important:** Locate the gas supply line out of pathways where people may trip over it or in areas where the line may be subject to accidental damage (if applicable).

**Note:** A shut-off valve (not included) in the gas line is required. It must be installed within 6 feet of the unit and must be easily accessible. Use a pipe joint compound resistant to all gasses on all NPT fittings **except flare fittings**. Refer to the NFPA 54 guidelines for all details.

### FIRE URN ASSEMBLY

#### 520, 530 Models

1. **CAREFULLY** place the urn in an appropriate location (see Fig. 19-1, and refer back to the LOCATION section if needed).

**CAUTION:** The urn **MUST** be mounted to the installation site floor. Failure to do so can cause property damage, personal injury, and/or damage to the unit.

2. If equipped remove the storage door by first turning the door handle counter-clockwise, then carefully pulling the door outward (see Fig. 19-2). Store in a safe location.

For models without a storage door, use a  $\frac{5}{16}$ " nut driver to loosen the 4 screws found on the burner assembly (see Fig. 19-3, A).

**Note:** **DO NOT** completely remove the screws - to ensure the burner brackets (beneath) remain assembled.

3. Carefully lift out the burner just enough to set it off to the side (see Fig. 19-3, B).

**Important:** **Lift out the burner with care to prevent damage to the thermocouple and gas connections.**

4. Using appropriate mounting hardware for the floor material/construction, secure the urn into the floor. The interior of the urn has three  $\frac{1}{2}$ " holes that will allow for the urn to be fastened to the floor. See Fig. 19-4.

**Important:** **DO NOT** overtighten (to avoid damage to the unit).

Proceed to **CONNECT GAS SUPPLY** section.

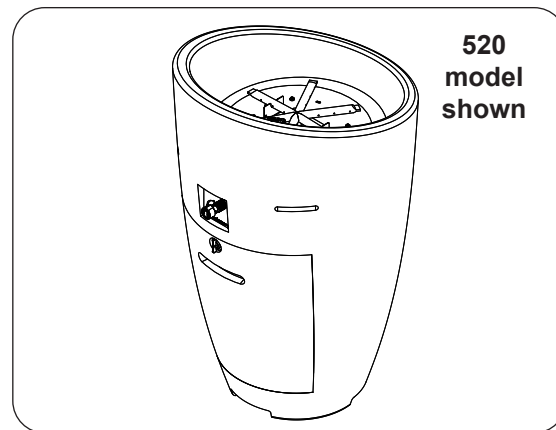


Fig. 19-1 Place urn

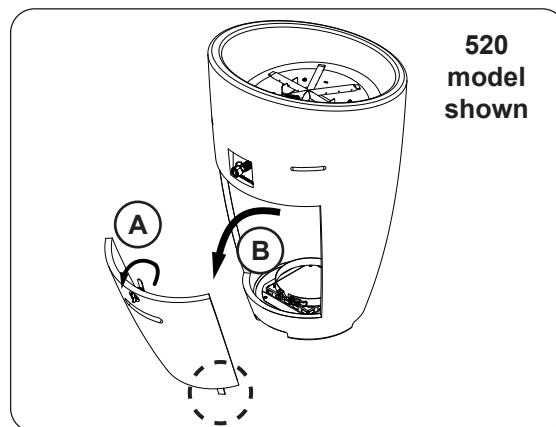


Fig. 19-2 Remove storage door (if applicable)

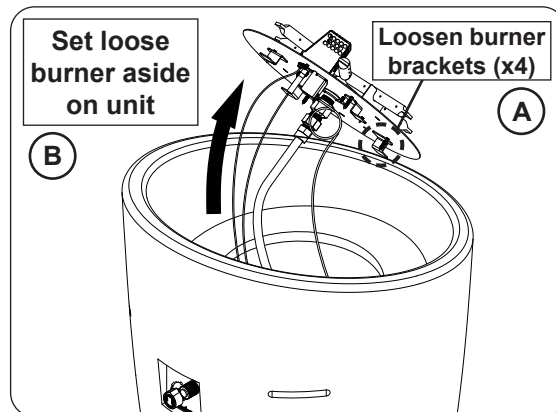


Fig. 19-3 Gain access to interior of unit (if needed)

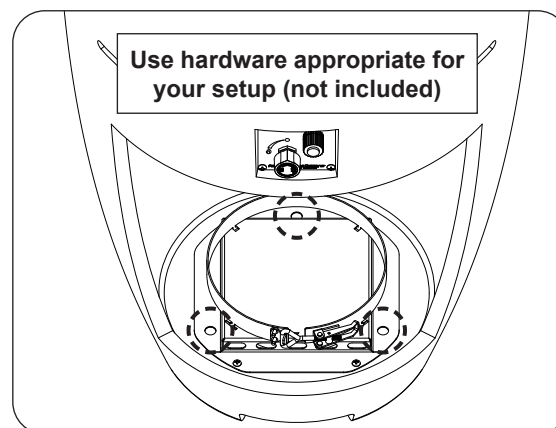


Fig. 19-4 Mount urn to floor

## CONNECT GAS SUPPLY

See the following page for connecting to a natural or household propane gas supply.

**Important:** Before installation, be sure the gas supply (propane or natural) is turned off at its source.

### To Connect To Propane Cylinder:

1. Locate the regulator hose assembly that is already installed on the rear of the valve assembly.
2. Attach the regulator end of the hose assembly to a propane cylinder (not included) and tighten (see Fig. 20-1).
3. The propane cylinder (not included) is to be located inside the base of the unit, via the storage door opening. Insert the cylinder into the tank holder tray and secure it. See Fig. 20-2, Fig. 20-3, and the details below:
  - Insert the cylinder.
  - Hook the round end of the pull-latch-screw over the bracket (found on collar of tank holder tray).
  - Snap the pull-latch-handle closed.
  - Ensure the collar is securely holding the cylinder in place. (If needed the pull-latch-screw can be adjusted to tighten or loosen the collar.)

Installation continued on next page

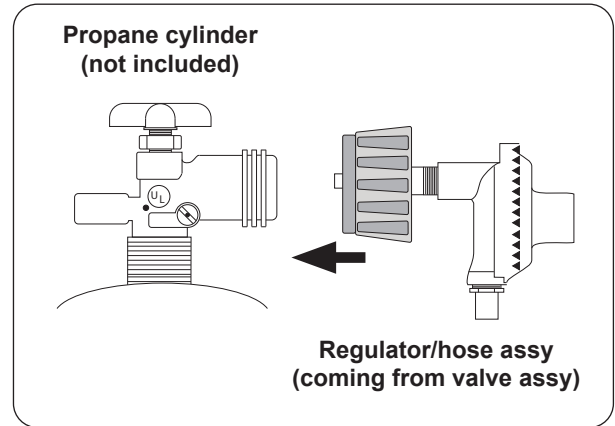


Fig. 20-1 Connecting to an L.P. cylinder

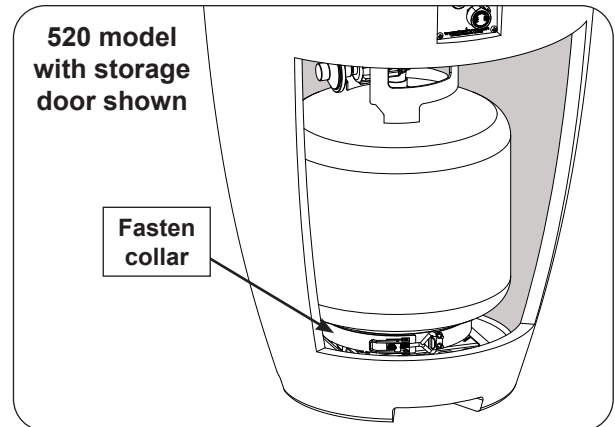


Fig. 20-2 L.P. Cylinder placement

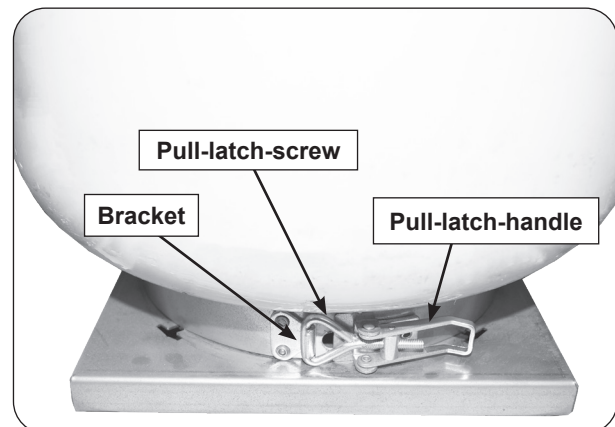


Fig. 20-3 Secure L.P. cylinder

## INSTALLATION (cont.)

### To Connect To Natural or Household Propane Gas Supply:

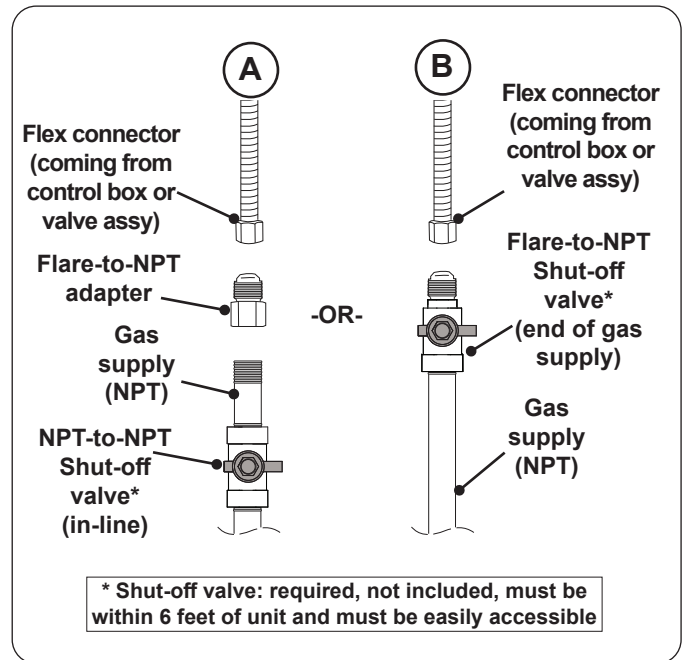
1. Locate the flex connector (marked IN) that is coming off the valve assembly.
2. Locate the gas supply that is beneath or beside the unit (previously routed at beginning of installation).
3. A shut-off valve is required within 6 feet of the unit and must be easily accessible.

#### ***If shut-off valve is installed in-line:***

- Install the supplied flare-to-NPT adapter to the gas supply (NPT) using a pipe joint compound resistant to all gasses (see Fig. 21-1, A). Tighten securely.
- Connect the flex connector to the adapter (see Fig. 21-1, A). Tighten securely.

#### ***If shut-off valve is connected to end of gas supply stub:***

- Connect the flex connector to the shut-off valve (flare)(see Fig. 21-1, B). Tighten securely.



**Fig. 21-1** Connecting to a gas line

## INSTALLATION (cont.)

### LEAK TEST

Turn on the gas supply and test at all connections for leaks using a soapy water solution. If bubbles appear, a leak is present. Turn off the gas and tighten at all connections. Repeat until no leaks are present. If a leak persists, turn off the gas supply and contact the local gas company or dealer. **NEVER USE A FLAME TO CHECK FOR LEAKS.**

### REINSTALL BURNER ASSEMBLY (if applicable)

1. Ensure that the 4 burner brackets are turned inward, then insert the burner assembly (see Fig. 22-1, A-B).

**Important:** Ensure the thermocouple and gas connections are clear, undamaged, and completely inserted into the opening, and that the burner assembly is correctly inserted without any obstructions between it and the unit. It must sit flat. DO NOT pinch any wires. Handle with care.

2. Use a  $\frac{5}{16}$ " nut driver to fasten the burner to the base (see Fig. 22-2).

### INSTALL BATTERIES

At this stage the burner system batteries are to be installed. Reference the SERVICING AND CLEANING - BATTERY INSTALLATION/REPLACEMENT section for details.

### LIGHTING TEST

Prior to proceeding with installation, perform a lighting test (see lighting instructions for lighting your burner).

**Allow the unit to completely cool after testing.**

### REPLACE STORAGE DOOR (if equipped)

Replace the storage door (that was previously removed during the assembly section). Ensure the door is secure in place (see Fig. 22-3). Door design may vary.

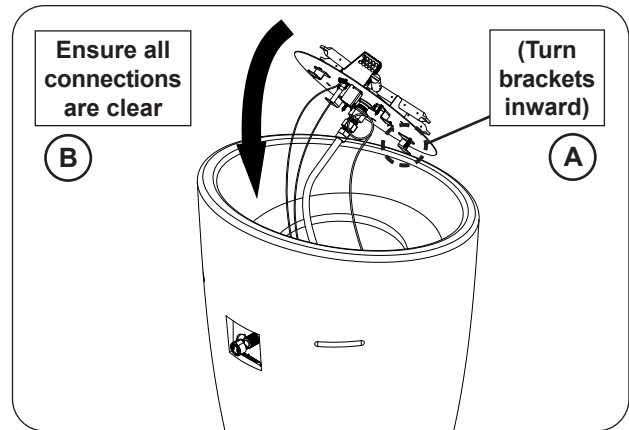


Fig. 22-1 Insert burner assembly

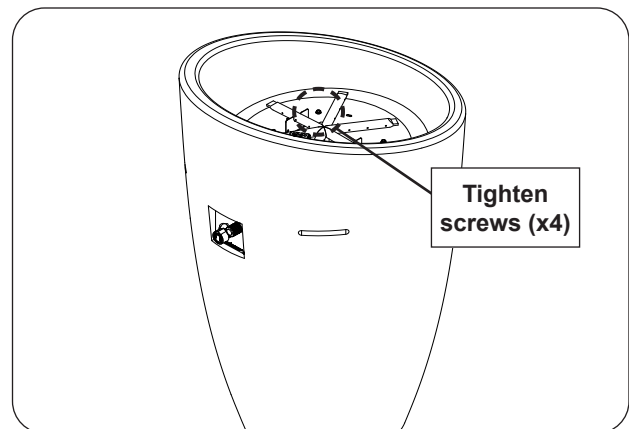


Fig. 22-2 Secure burner

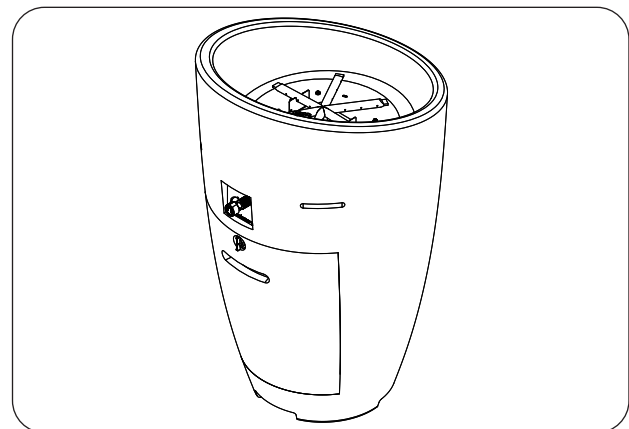


Fig. 22-3 Replace storage door

# DECORATIVE MEDIA PLACEMENT

**WARNING:** Failure to position the parts in accordance with these diagrams or failure to use only parts specifically approved with this appliance may result in property damage or personal injury.

**CAUTION:** Be sure the unit and the decorative media are completely cool anytime the media is handled. **Wear gloves whenever installing and handling as certain media may have sharp edges that can cause personal injury.**

**Important:** **Keep the screen clear of decorative media and any other items / debris at all times.** This will allow for proper ignition and operation. **DO NOT** cover.

This unit has several options for decorative media. The decorative media is purchased and packaged separately. Contact your local American Fyre Designs dealer for ordering information. Locate the section(s) below that apply to your option(s) chosen and install accordingly.

One of the primary media options (lava or glass) is required for safe operation and proper performance. Place first. All other secondary media is optional.

Reference the SPECIFICATIONS AND DIMENSIONS section for details on the recommended amounts of media.

## LAVA MEDIA

Pour the lava granules or lava coals evenly into the burner area (with the exception of the screen). The lava should be 1-2" above the burner. See Fig. 23-1.

**Important:** **DO NOT exceed a height of 2" above the burner when placing lava media. Ensure no media covers the screen. Store any excess media in a safe location.**

## VOLCANIC STONES

(Not for use when an L.P. Cylinder is installed within the Fire urn unit.)

1. Volcanic stones first require lava media to completely fill the burner area. See above LAVA MEDIA section to place the lava, then proceed to step 2.
2. Pour the volcanic stones evenly into the burner area (see Fig. 23-2). The stones may form a mound. **Store any excess media in a safe location.**

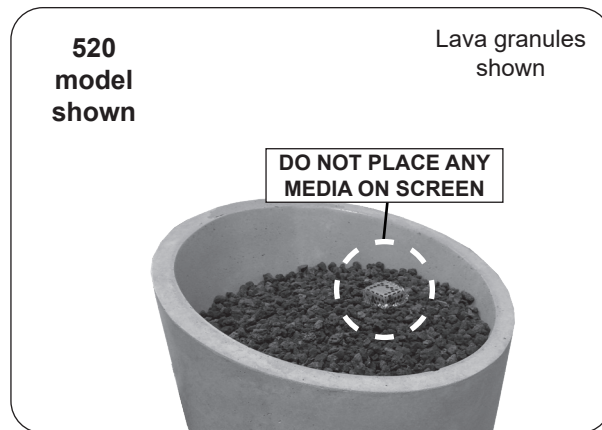


Fig. 23-1 Lava media option

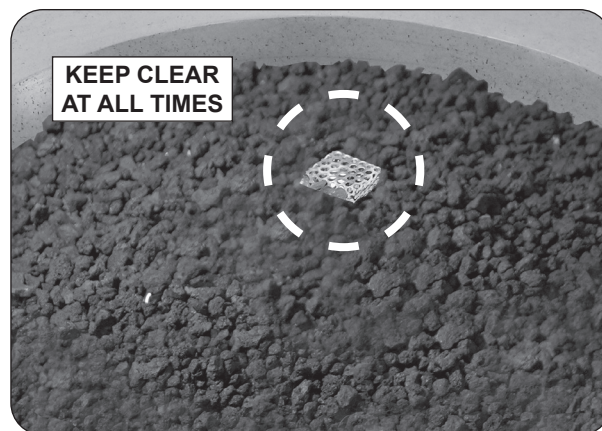


Fig. 23-2 Screen detail



Fig. 23-3 Volcanic stones option

## DECORATIVE MEDIA PLACEMENT (cont.)

### GLASS MEDIA

Pour the glass media (glass or gems) evenly into the burner area (with the exception of the screen). The glass media should be 1-2" above the burner. See Fig. 24-1.

**Note:** If desired, lava granules may first be used as a base, followed by the glass.

**Important:** **DO NOT** place any glass media on the screen. Ensure no existing lava granules are covering the screen.

**DO NOT** exceed a height of 2" above the burner when placing glass / lava media. Store any excess media in a safe location.

### ADDITIONAL SECONDARY OPTIONS

After one of the primary options (lava or glass media) has been properly placed, various river stone, creekstone, fyre sphere, wood chunk, and glass nugget options are available. If one of these secondary options are purchased, place them as desired in a decorative pattern on top of the primary media. See Fig. 24-2 for an example.

**Note:** These options are not designed to be placed directly on the burner.

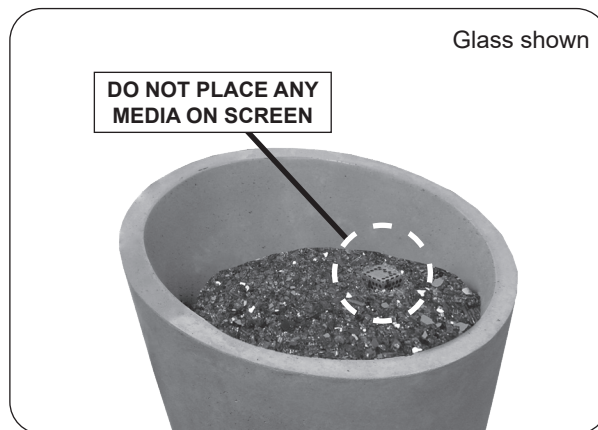


Fig. 24-1 Glass option

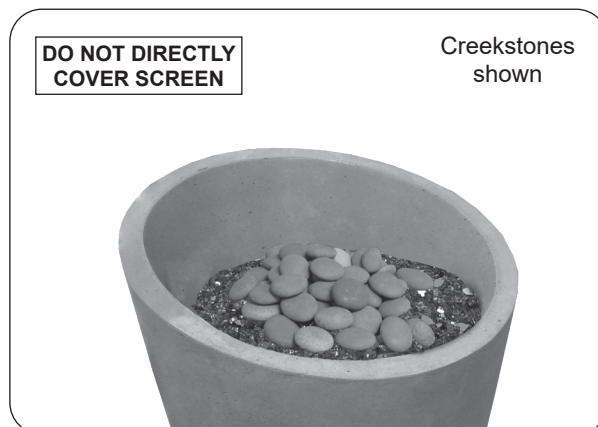


Fig. 24-2 Secondary options



### OPTIONAL FABRIC COVER

An optional fabric cover is available to protect your unit when not in use. Contact your local dealer for ordering information.

To install, ensure the unit is off, allow the unit to cool completely, then place the cover over the unit with the American Fyre Designs logo facing upward. See Fig. 25-1.

Follow all instructions provided with the fabric cover.

**Note:** Certain decorative media (such as volcanic stones, etc.) may interfere with the proper placement of the cover. They will need to be removed and stored in a safe location when the cover is in use.

Remove cover before use.



8141A  
model  
shown

**Fig. 25-1** Fabric cover

Please use this page to record any information that you may want to have at hand.

# LIGHTING INSTRUCTIONS - MANUAL FLAME SENSING CONTROL MODELS

## FOR YOUR SAFETY, READ BEFORE LIGHTING

**WARNING: IF YOU DO NOT FOLLOW THESE INSTRUCTIONS EXACTLY, A FIRE OR EXPLOSION MAY RESULT, CAUSING PROPERTY DAMAGE, PERSONAL INJURY, OR LOSS OF LIFE.**

- A. BEFORE LIGHTING**, smell all around the unit area for gas. Be sure to smell next to the floor, because some gas is heavier than air and will settle on the floor.
- B. WHAT TO DO IF YOU SMELL GAS**
  1. Shut off the gas to the appliance.
  2. Extinguish any open flame.
  3. If odor continues, immediately call your gas supplier or the fire department.
- C.** Use only your hand to push in or turn the gas control knob. Never use tools. If the knob will not push in or turn by hand, **DO NOT** try to repair it. Call a qualified professional service technician. Force or attempted repair may result in fire or explosion.

1. **STOP!** Read the safety information above.
2. Locate the control panel on the side of the unit (refer to the IDENTIFICATION PARTS LIST if needed), and identify the igniter button (Fig. 27-1) and gas control knob (Fig. 27-2). Ensure the gas control knob is in the OFF position before beginning the lighting sequence.
3. Press and hold the electronic igniter button. The igniter will begin to spark with a rapid clicking sound.
4. **While holding the igniter button in**, turn the gas control knob counter-clockwise to the **ON** position, depress, and hold for 15 seconds. Your burner should light within 5 seconds.

Holding the knob in for 15 seconds allows the safety valve to activate and the burner to remain lit.

**WARNING:** If the burner does not light within five (5) seconds of turning the control knob, immediately turn the knob clockwise to the **OFF** position.

Wait approximately five (5) minutes to clear out any gas, and repeat steps 3-4 above.

**If your burner fails to light again, turn the gas control knob clockwise to the OFF position and contact your dealer or gas supplier.**

**Note:** The flame height can be adjusted via the control knob.

**Note:** **To manually light the burner**, light a long-stem match or a long-necked butane lighter, and place the flame against the surface of the decorative media near the burner. Once the flame is in position, continue with the procedure above.

### TO SHUT OFF GAS TO THE APPLIANCE

**To extinguish your gas burner**, turn the gas control knob clockwise to the **OFF** position (see Fig. 27-2). Be sure the control knob is turned fully off to avoid any gas leakage.

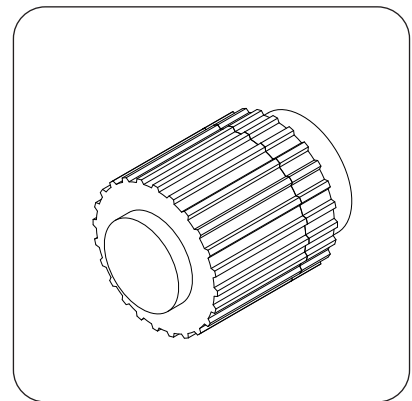


Fig. 27-1 Igniter button detail

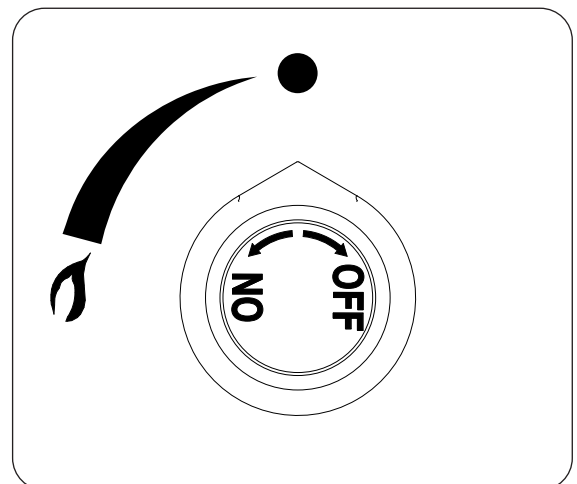


Fig. 27-2 Control knob detail

**POUR VOTRE SÉCURITÉ, LIRE AVANT D'ALLUMER**

**AVERTISSEMENT: SI VOUS NE SUIVEZ PAS CES INSTRUCTIONS À LA LETTRE, UN INCENDIE OU UNE EXPLOSION POURRAIENT S'ENSUIVRE, CAUSANT DES DOMMAGES MATÉRIELS, DES BLESSURES OU DES PERTES DE VIE.**

- A. AVANT D'ALLUMER**, sentez tout autour de l'unité de surface pour le gaz. Assurez-vous de sentir près du plancher, car certains gaz sont plus lourds que l'air et se déposent sur le sol.
- B. QUE FAIRE SI UNE ODEUR DE GAZ**
  - 1. Coupez le gaz à l'appareil.
  - 2. Éteindre toute flamme nue.
  - 3. Si l'odeur persiste, appelez immédiatement votre fournisseur de gaz ou le service des incendies.
- C.** N'utilisez que votre main pour enfoncer ou tourner le bouton de contrôle du gaz. Ne jamais utiliser d'outils. Si le bouton ne sera pas enfoncer ou à tourner à la main, **NE PAS** essayer de le réparer. Appelez un technicien de service qualifié. Force ou une tentative de réparation pourrait provoquer un incendie ou une explosion.

- 1. **ARRÊTEZ!** Lisez les informations de sécurité ci-dessus.
- 2. Localisez le panneau de commande sur le côté de l'appareil (consultez la LISTE DES PIÈCES D'IDENTIFICATION si nécessaire), et identifiez le bouton d'allumage (Fig. 28-1) et le bouton de commande du gaz (Fig. 28-2). Assurez-vous que le bouton de commande du gaz est en position **OFF** (**éteindre**) avant de commencer la séquence d'allumage.
- 3. Appuyez sur le bouton de l'allumeur électronique et maintenez-le enfoncé. L'allumeur commencera à étinceler avec un clic rapide.
- 4. **Tout en maintenant le bouton d'allumage enfoncé**, tournez le bouton de commande du gaz dans le sens antihoraire jusqu'à la position **ON (sur)**, appuyez et maintenez pendant 15 secondes. Votre brûleur devrait s'allumer dans les 5 secondes.

Maintenir le bouton enfoncé pendant 15 secondes permet à la soupape de sécurité de s'activer et au brûleur de rester allumé.

**AVERTISSEMENT:** Si le brûleur ne s'allume pas dans les cinq (5) secondes suivant la rotation du bouton de commande, tournez immédiatement le bouton dans le sens des aiguilles d'une montre jusqu'à la position **OFF**.

Attendez environ cinq (5) minutes pour évacuer tout gaz et répétez les étapes 3 à 4 ci-dessus.

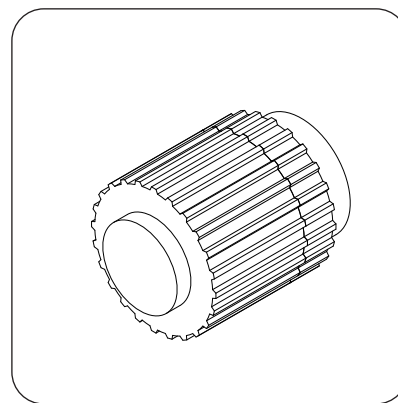
**Si votre brûleur ne s'allume pas à nouveau, tournez le bouton de contrôle du gaz dans le sens des aiguilles d'une montre jusqu'à la position OFF et contactez votre revendeur ou fournisseur de gaz.**

**Note:** La hauteur de la flamme peut être réglée via le bouton de commande.

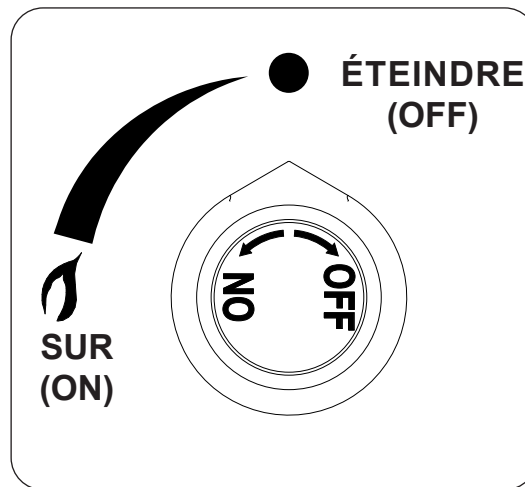
**Note:** **Pour allumer manuellement le brûleur**, allumez une allumette à longue tige ou un briquet au butane à long col et placez la flamme contre la surface du support décoratif près du brûleur. Une fois la flamme en position, continuez avec la procédure ci-dessus.

**POUR ARRÊTER LE GAZ À L'APPAREIL**

**Pour éteindre votre brûleur à gaz**, tournez le bouton de commande du gaz dans le sens des aiguilles d'une montre jusqu'à la position **OFF (éteindre)** (voir Fig. 28-2). Assurez-vous que le bouton de commande est complètement éteint pour éviter toute fuite de gaz.



**Fig. 28-1** Détail du bouton d'allumage



**Fig. 28-2** Détail du bouton de commande

## SERVICING AND CLEANING

Each installation site for any unit presents its own unique combustion environment. Specific factors such as weather, wind currents, yard debris, altitude, drafts, the size of the surrounding area, all have an influence on the proper operation of the unit. A normally operating unit will demonstrate the following characteristics:

- A lively, realistic yellow flame
- Odor-free

If the flame is not clean (identifiable by excessive sooting on the decorative media), refer to the information below. Some soot on the media may occur and should not be a concern unless excessive.

- Cover your unit whenever it is completely cool and not in use, and follow the guidelines below at least annually.

### ANNUAL CLEAN / INSPECTION GUIDELINES

The unit and the installation must be inspected annually. Refer to these instructions for details. Performing these procedures will ensure proper operation, appearance, and safety. WEAR GLOVES.

If maintenance is required, it must be done by a qualified professional service technician.

- Always shut off the gas to the unit while performing service work.
- Allow the unit to cool before servicing.
- The entire burner system should be inspected regularly:

Excessive debris can build up on this unit from leaves, dirt, or other debris. It is critical that all control components, burners, pilot/igniter screen, vent openings, and the surrounding area be kept clear and free at all times.

Examine that all components are properly assembled / installed as instructed in this manual.

Ensure that all decorative media is properly placed as instructed in this manual.

**Ensure that the pilot/igniter screen on the burner pan is clear of decorative media and any other items/debris.**

Ensure that all gas lines, burner tubes, burner ports, and the orifice are clear of insects, insect nests, spiderwebs, and any debris.

Replace batteries as needed / if applicable. See BATTERY INSTALLATION/REPLACEMENT section for details.

- The burner assembly must be replaced prior to the unit being put into operation if it is evident that the burner is damaged. Contact your local dealer for replacement parts.
- DO NOT use substitute materials when replacing any components of the appliance.
- **Keep the vent openings and surrounding area of the unit clear and free at all times.**
- Periodically perform visual checks of the burner flames and pilot flames (if applicable). The burner flames should be blue at the base with a combination of blue/yellow at the body and tips. The pilot (if applicable) should be a steady flame, encircling the flame sensor. Contact a qualified professional service technician for maintenance.
- **To maintain the concrete components**, see the CONCRETE CARE section for details.
- Any guard or other protective device removed for servicing the appliance shall be replaced prior to operating appliance.
- Verify proper operation after servicing.

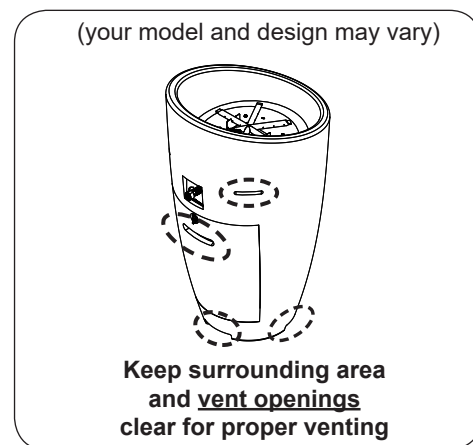


Fig. 29-1

**CAUTION: HOT DURING OPERATION AND AFTER USE. Children must be supervised when in the vicinity of this appliance. Serious injury may occur! Children must be alerted to the hazard of high surface temperatures and should stay away to avoid burns or clothing ignition.**

## CONCRETE CARE

As with any surface, concrete components require regular maintenance and care. Certain guidelines must be followed to preserve the concrete's appearance and structural integrity.

- **Scratches may occur due to usage.** To minimize, avoid striking or dragging heavy, rough, or sharp objects across the unit.
- **Spotting and hairline cracks may occur due to nature of product and are not considered a manufacturing defect.**
- **Concrete products are porous and susceptible to discoloration from liquids.** Avoid allowing water (or any liquid / substance) to stand on the surfaces of the unit.
- **To clean the concrete, first wash with a mild soap and water solution. For stubborn stains, a vinyl brush may be used. Allow to dry. Annually, follow up with a masonry sealer in order to preserve the finish.**
- It should be noted that, like natural stone, concrete products will develop a patina when left outside. No two concrete products are identically the same and the finish will vary.
- **An optional fabric cover is available to protect your unit when cool and not in use (select models).** Contact your local dealer for ordering information.

## FUEL CONVERSION KITS

For select models, a certified kit is available from the manufacturer to convert your appliance from natural gas to L.P. or vice versa. Contact your dealer for ordering information.

Follow the instructions provided with the kit when converting.

**Note:** Models without doors are not convertible.

## BATTERY INSTALLATION/REPLACEMENT (if applicable)

- Ensure the unit is connected to the gas line and has been tested for leaks before you insert batteries.
- Turn off the burner and allow the unit to completely cool prior to any battery replacements.
- Prior to inserting batteries, always apply a small amount of dielectric grease to both ends of each battery. This will ensure conductivity and prevent moisture from affecting the contact.
- **Low/dead batteries will affect burner system operation. Replace batteries any time the burner will not turn on.**

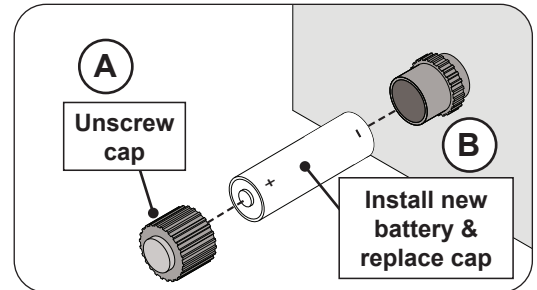


Fig. 30-1 Replace battery (if applicable)

The igniter requires 1 AA battery to operate (included). Locate the igniter on the control panel and unscrew the igniter cap (see Fig. 30-1, A). Remove the existing battery (see Fig. 30-1, B). Insert the new battery (negative end first) into the igniter and replace the cap. Screw the cap down until snug. **DO NOT** overtighten.

# TROUBLESHOOTING

If you have trouble with your unit, please use this list to identify the problem. By trying one or more of the solutions to the probable cause, you should be able to solve the problem. If this list does not address your present problem, or if you have other technical difficulties with your unit, please contact your local dealer or visit our web site at [www.rhpeterson.com](http://www.rhpeterson.com).

<b>BURNER WILL NOT TURN ON</b>	
<b>Root Cause</b>	<b>Corrective Action</b>
No gas to unit	Ensure gas supply turned on / shut-off valve open / propane tank not empty.
Air in gas line	Bleed gas supply line.
No ignition at igniter	See following IGNITER WILL NOT FUNCTION symptom for details.
Dead batteries	Check/replace batteries.
Loose electrical connection	Check all connections are secure in place.
Incorrect spark at igniter	Ensure igniter screen is clear of all decorative media. See DECORATIVE MEDIA PLACEMENT section.

<b>UNIT OVERHEATING OR POOR COMBUSTION</b>	
<b>Root Cause</b>	<b>Corrective Action</b>
Vent openings / surrounding area blocked with debris	Clean vent openings and surrounding area of all obstructions.
Improper media placement	See DECORATIVE MEDIA PLACEMENT section.

<b>UNEVEN OR LOW FLAME</b>	
<b>Root Cause</b>	<b>Corrective Action</b>
Low gas pressure	Check gas pressure (Read E-F of PRE-INSTALLATION AND PREPARATION SAFETY GUIDELINES section, & <u>check with local gas company</u> ).
Low gas pressure/flame (propane)	Shut off all valves, including propane tank, and follow lighting instructions exactly. (Also see note* below.)
Propane tank running low (if applicable)	Fill tank completely.
Gas supply blocked or obstructed	Inspect all gas lines, burner tubes, burner ports, and the orifice for insects, insect nests, spiderwebs, and any debris. Clean as needed.
Too much media on burner	Remove excess media (refer to DECORATIVE MEDIA PLACEMENT section for proper placement).

<b>LOW FLAME OR TOO HIGH FLAME</b>	
<b>Root Cause</b>	<b>Corrective Action</b>
Using natural-gas burner on propane gas or propane burner on natural gas	Ensure proper gas type. The gas supply used may not be the same as that stated on the unit rating plate. Shut down immediately to verify, and if necessary contact your local dealer. (The unit may be converted to the gas type of the gas supply, IF PERMITTED.)

**Note:** \*Propane tanks are equipped with a safety shutdown device that may cause low or no gas/flame at the burners if operating and lighting instructions are not followed exactly. **If you suspect the propane tank safety shutoff is in effect:** 1) Shut off unit's valve. 2) Shut off tank valve. 3) Open and close unit's valve. 4) Open tank valve. 5) Follow the LIGHTING INSTRUCTIONS. Lighting instructions are located in your owner's manual and printed on the unit's label plate. Lighting instructions are located in the owner's manual. If the problem persists, continue troubleshooting, or contact your local dealer or distributor for assistance.

## TROUBLESHOOTING (cont.)

### FLAME LIFTS OFF THE BURNER ASSEMBLY

Root Cause	Corrective Action
Unit exposed to high-wind conditions	Ensure that the unit is installed in an area that is less susceptible to high wind conditions. <b>DO NOT operate in high-wind conditions.</b>

### FLAME HEIGHT DROPS WHEN UNIT IS IN OPERATION

Root Cause	Corrective Action
Low gas pressure (due to improper gas supply line)	Check gas supply line and gas pressure (Read E-F of PRE-INSTALLATION AND PREPARATION SAFETY GUIDELINES section, & <u>check with local gas company</u> ).

### BURNER LIGHTS BUT WILL NOT STAY LIT

Root Cause	Corrective Action
Low gas pressure	Check gas pressure (Read E-F of PRE-INSTALLATION AND PREPARATION SAFETY GUIDELINES section, & <u>check with local gas company</u> ).
Unit exposed to high-wind conditions	Ensure that the unit is installed in an area that is less susceptible to high wind conditions. <b>DO NOT operate in high-wind conditions.</b>
Clogged burner ports	Inspect/clean burner ports.
Faulty valve or regulator	Contact a qualified professional service technician and the local dealer.
Bad thermocouple	Check/replace thermocouple assembly.

### BURNER FLASHBACK OR FLAME BURNING OUT OF ORIFICE

Root Cause	Corrective Action
Clogged burner ports	Inspect/clean burner ports.
Clogged burner orifice	Clean burner orifice.

### EXCESSIVE SOOTING

Root Cause	Corrective Action
Flame not burning correctly / improper media placement	See DECORATIVE MEDIA PLACEMENT section.
Poor gas quality	Check gas supply / contact your gas company.

### IGNITER WILL NOT FUNCTION

Root Cause	Corrective Action
Loose wires	Check all wires are securely in place.
Dead batteries	Check/replace batteries.
Faulty igniter component(s)	Check/replace igniter module and/or electrode.



Please use this page to record any information that you may want to have at hand.

# WARRANTY

## AMERICAN FYRE DESIGNS BY R. H. PETERSON CO. LIMITED WARRANTY

R.H. Peterson Co. ("RHP") warrants your American Fyre Designs® product to be free from defects in material and workmanship.

American Fyre Designs ("AFD") exterior Glass Fiber Reinforced Concrete (GFRC) fire features ("products"), fireplaces, fire tables, fire urns, fire pits, fire bowls, lanterns, firefalls, gas logs, burners, and stainless steel firepit burners for outdoor installation are warranted for **THREE (3) YEARS**.

AFD electrical components, valves, accessories and controls (excluding batteries, wind guards and screens) are warranted for **ONE (1) YEAR**.

This warranty **does not** apply to: product damage caused by burning wood or any fuel other than natural gas or propane; or damage or discoloration to product used in high wind conditions.

### A COPY OF YOUR SALES SLIP FOR PROOF OF PURCHASE IS REQUIRED

This warranty applies to the original purchaser for products which are installed in the United States or Canada and which are operated and maintained as intended for single family residential usage. This warranty is valid only with proof of purchase, commences on the date of purchase, and terminates (both as to original and any replacement products) on the anniversary date of the original purchase of the product per the above schedules.

This warranty covers defects in material and workmanship. This warranty **does not** cover parts which become defective as a result of negligence, misuse, use not in compliance with the Installation and Owner's Manual, accidental damage, improper handling, improper storage, improper installation, **lack of required routine maintenance** (as specified in the Installation and Owner's Manual), electrical damage, local gas impurities or failure to protect against combustible materials. Product must be installed (and gas must be connected) as specified in the Installation and Owner's Manual by a **qualified professional installer**. This warranty **does not** apply to rust, corrosion, oxidation, or discoloration unless the affected part becomes inoperable. RHP products including valves, pilots and controls, are designed and certified to be used as a system. Modifications to products which are not specifically authorized will void this warranty and could render the product to be unsafe. Burners, valves, parts, accessories, remotes, etc. used with this product must be RHP products or this warranty is void. Warranted items will be repaired or replaced at RHP's sole discretion. This warranty **does not** cover labor or labor related charges, except as provided by separate specific written programs from RHP. All repair work must be performed by a qualified professional service person and requires prior approval of RHP. RHP may require the defective product or part to be returned to the factory to determine the cause of failure. RHP will pay freight charges if the product or part is determined to be defective. This warranty does not cover breakage in shipment from our independent distributor to its customer if the damage is determined to have occurred during that shipment.

This warranty specifically excludes liability for **indirect, incidental, or consequential** damages. Some states and provinces do not allow the exclusion or limitation of incidental or consequential damages, so the above exclusion may not apply to you. This warranty gives you specified legal rights, and you may have other rights that vary from state to state or province.

For additional information regarding this warranty, or to place a warranty claim, contact the RHP dealer where the product was purchased.

When contacting your RHP dealer or the R.H. Peterson Co., please provide the following information:

- Your name, address, telephone number, e-mail
- Sales receipt showing where purchased and date purchased
- Model number, serial number of product, date code
- Relevant information: installer, additions, repairs, when defect was first noted

**TO REGISTER YOUR PRODUCT ONLINE GO TO: WWW.RHPETERSON.COM,  
AND CLICK ON PRODUCT REGISTRATION. THANK YOU FOR YOUR PURCHASE.**

Quality Check			Date: _____		
Burner Orifice	Nat.	L.P.	Leak Test: _____	Model#: _____	
Main:	_____	_____	Burn Test: _____	Serial#: _____	
Other:	_____	_____	Gas Type: <u>Nat. / L.P.</u>	Inspector: _____	