

## KEY FEATURES

**Fits Models:**

- F27S-B
- F27S-B-NG
- F27S-Griddle-B
- F27S-Griddle-B-NG

**Uses:**

- Non-Combustible Islands
- Overlap Finish Installs
- Retro-Fit Into Large Openings
  - Width - 29.5" to 30.75"
  - Depth - 25.25" to 25.75"
  - Height - 12" to 13.5"
- Natural Gas or Propane Installs

**Benefits:**

- All 304 Stainless Steel
- Brushed #4 Finish
- Limited Lifetime Warranty



### F27S-B | F27S-B-NG

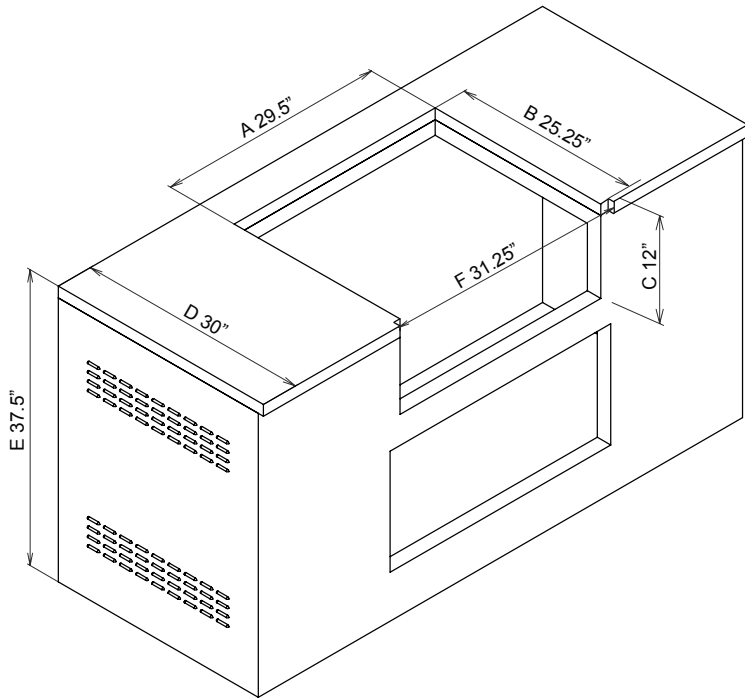


### F27S-Griddle-B | F27S-Griddle-B-NG



## TECHNICAL SPECS

<b>Dimensions:</b>	31" W   26" D   14" H
<b>Package Dimensions:</b>	35" W   30" D   18" H
<b>Package Weight:</b>	48 LBS
<b>Grill Type:</b>	Built-In
<b>Clearance To Combustibles:</b>	Sides: 0" Rear: 0" Bottom: 0"
<b>Cutout Dimensions:</b>	Width: 29.5" (A) Depth : 25.25" (B) Height: 12" (C)
<b>Island Dimensions (Recommended):</b>	Depth: 30" (D) Height: 36" (E)
<b>Notch Dimensions (Optional)*</b>	Width: 31.25" (F) Depth: Determined by finish face material.



\*Recommended to notch the countertop so that front edge overlaps finished island face material.

