

MODEL: ESTOP-LC-KIT

E-STOP Gas Timer Locking Cabinet Kit

For use with Firegear Outdoors MatchThrow (MT),
Thermocouple Manual Safety (TMSI) Fire Pits and BBQ Grill applications

Installation and Operating Instructions

**IF YOU CANNOT READ OR UNDERSTAND THESE INSTALLATION INSTRUCTIONS
DO NOT ATTEMPT TO INSTALL OR OPERATE THIS APPLIANCE**

CALIFORNIA PROPOSITION 65



WARNING
This product can expose you to Chromium, which is known to the state of California to cause cancer and birth defects or other reproductive harm.
(For more information, go to www.p65warnings.ca.gov)



Warning: For Outdoor Use Only



We recommend that our gas hearth products be installed and serviced by professionals who are certified in the U.S. by the National Fireplace Institute® (NFI) as NFI Gas Specialists.

PLEASE RETAIN THIS MANUAL FOR FUTURE REFERENCE

PRODUCT DESCRIPTION: This ESTOP-LC-KIT (recessed mounting kit) is designed to be installed with a Firegear Outdoors Match Throw (MT) fire pit, a Thermocouple Manual Safety (TMSI) fire pit or a BBQ grill applications. Use either the ESTOP1-0H or ESTOP2-5H gas timer models with this kit. The ESTOP Gas Timer is not supplied with this kit and must be purchased seperately. The ESTOP gas timers must be oriented in the upright position as shown in the instructions. **NOTE:** All gas lines must enter from the back side of the ESTOP gas timer to use this mounting kit. Ensure to install the plugs provided with the ESTOP gas timer and seal them with gas rated Teflon tape before installing the kit. **FOLLOW LOCAL CODES IF APPLICABLE FOR THIS INSTALLATION**

INSTALLING THE LOCKING CABINET KIT

Tools Needed: Power Drill/Screw driver with a Phillips head tip, 1/4" Drill bit, Pliers, Saw, Pencil, Pliers

CAUTION: Ensure the gas lines are accessible for connections to the ESTOP gas timer before beginning this installation process.

Step 1: Determine the location of the locking cabinet and cut a 7 1/8" x 7 1/8" hole into the wall board.

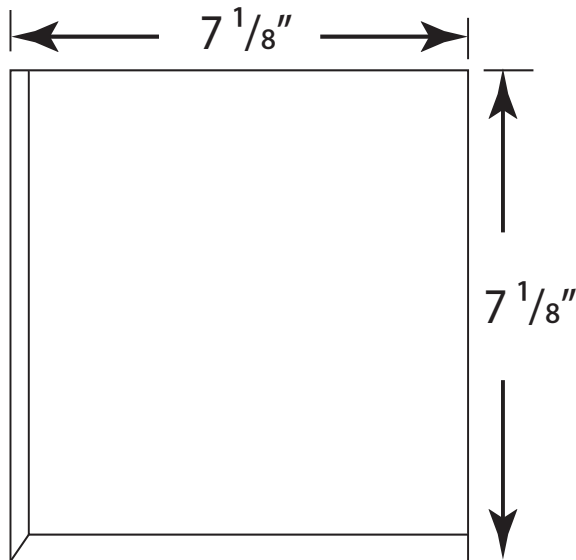


Fig. 1 Rough opening in wall.

Note: The hole in the wall will be taller than needed to install the back panel however, the additional height (top and bottom) provides clearance for the face plate screws when installed.

Step 2: After cutting hole in wall, place the Back Panel into the hole, centered side to side and top to bottom and mark the four holes in the panel with a pencil. See Fig. 2.

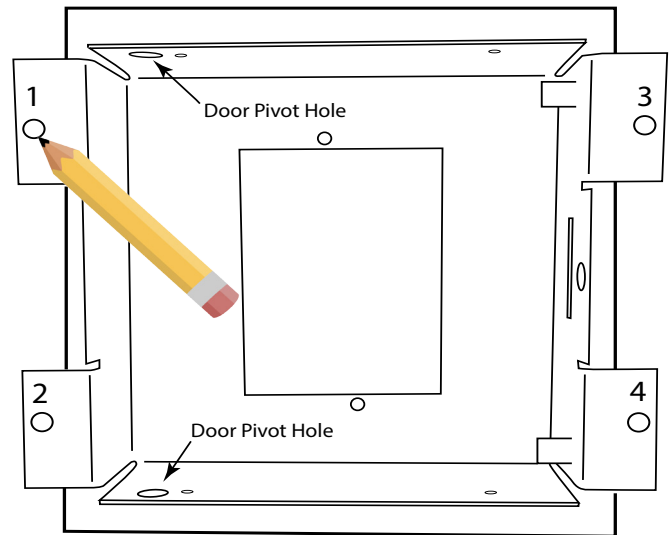


Fig. 2 Shows back panel centered in wall opening.

Step 3: After marking the four holes remove the back panel and use a 1/4" bit to drill out each marked hole.

Note: The two larger holes on the inside of the back panel are where the locking door pivots open and close. If the holes are on the leftside, the door will open to the left, if the holes are placed on the rightside, the door will open to the right.

Step 4: Install the ESTOP Gas Timer using the two screws provided with the gas timer into the back panel. See Fig. 3.

Note: At this time, it would be a good idea to install the gas lines into the ESTOP gas timer for ease of installation.

ENSURE YOU TEST FOR GAS LEAKS BEFORE PROCEEDING.

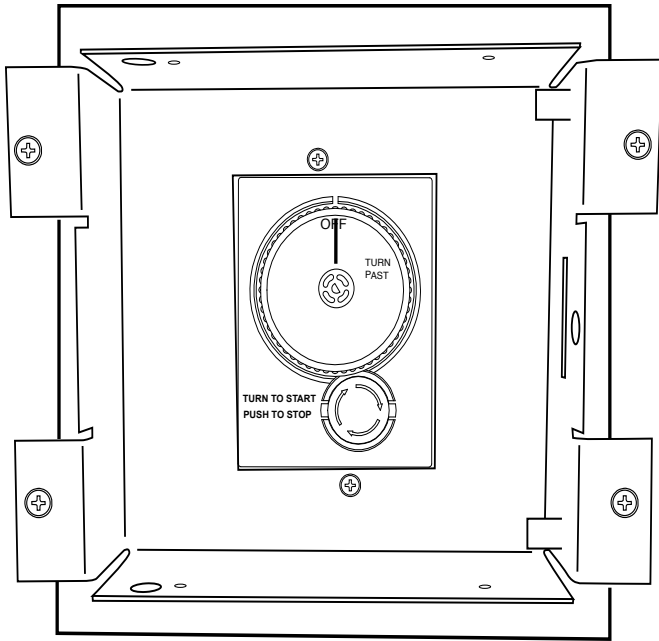


Fig. 3 Shows ESTOP installed into back panel.

After gas lines are installed, carefully mount the back panel into position using the four screws, nuts and washers provided this kit. See Fig. 4.

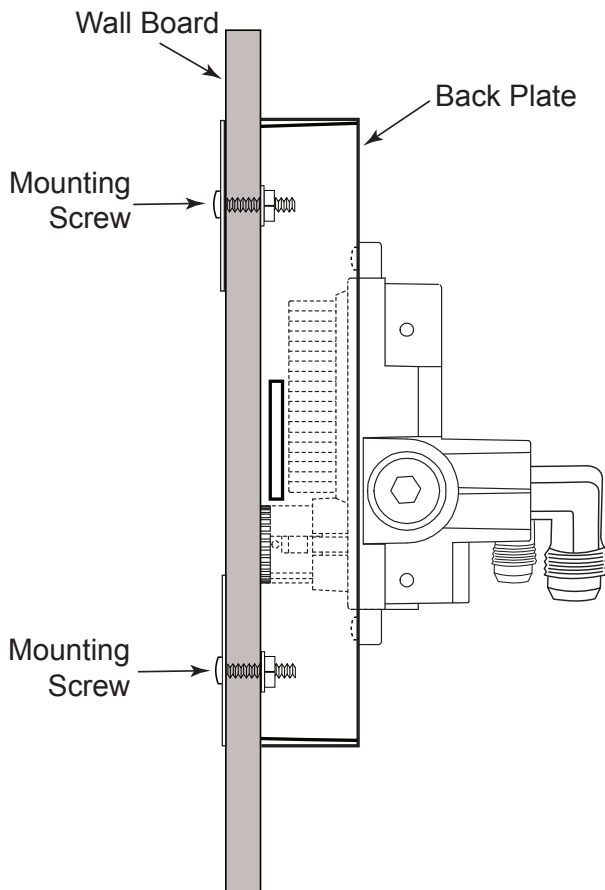


Fig. 4 Side view install of ESTOP with 90° gas fittings.
Note: Gas lines can enter as shown or straight out depending on application.

Step 5: Install the control face plate inside the back panel. Align the two holes in the top and the two holes in the bottom and use the four screws provided to secure the face plate.

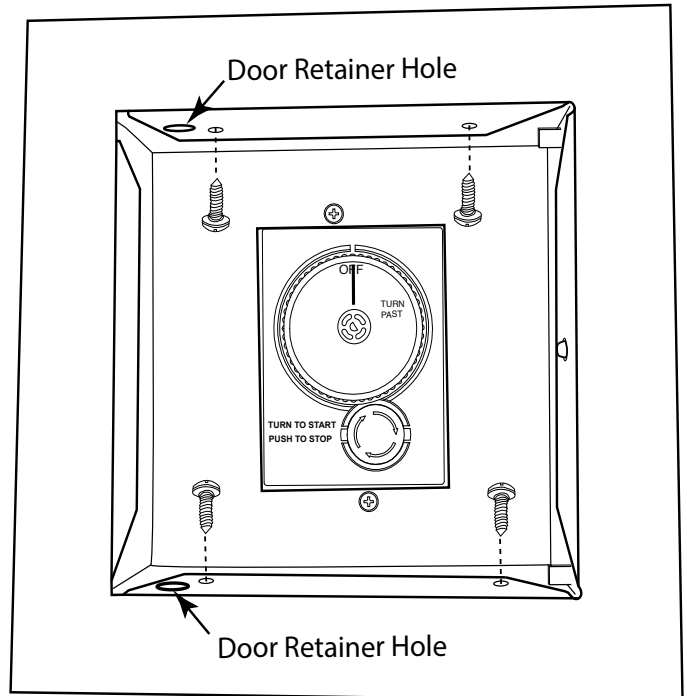


Fig. 5 Installing face plate.

Step 6: Pick up the door out of the box and peel the plastic protective coating off the metal. Align the holes in the door ends with the two holes at the top and bottom of the face plate. Using the two push retainers, pull the top pin out of the base and insert the base into face plate holes. When the base is pushed all the way down against the end, insert the pin to lock the push retainer into place. See Fig. 6.

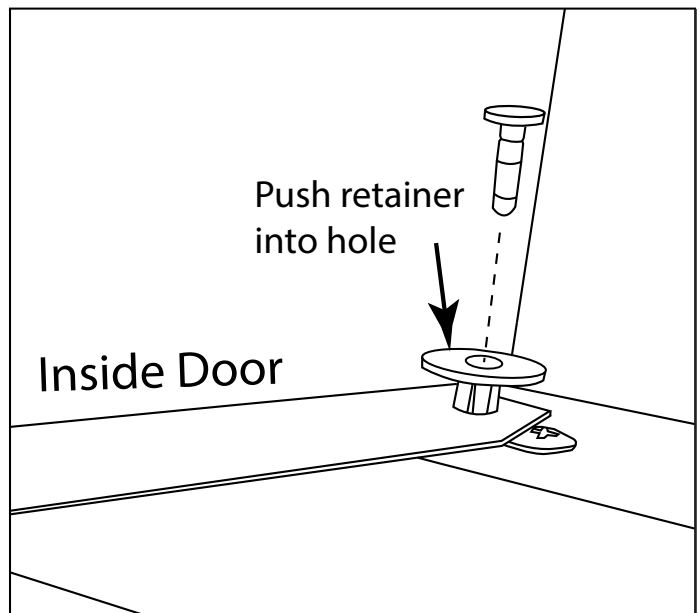


Fig. 6 Installing push retainers.

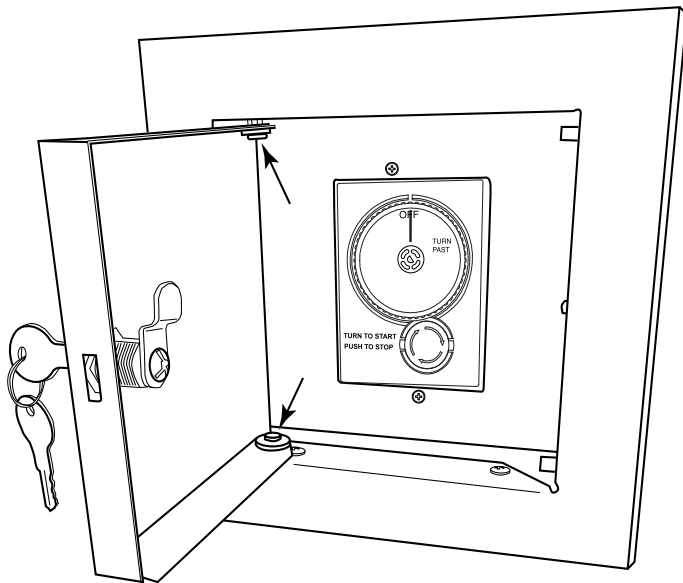


Fig. 7 Shows push retainers installed.

Step 7: Insert key into the lock, push door closed, turn key clockwise to lock cabinet. Remove key. See Fig 8.

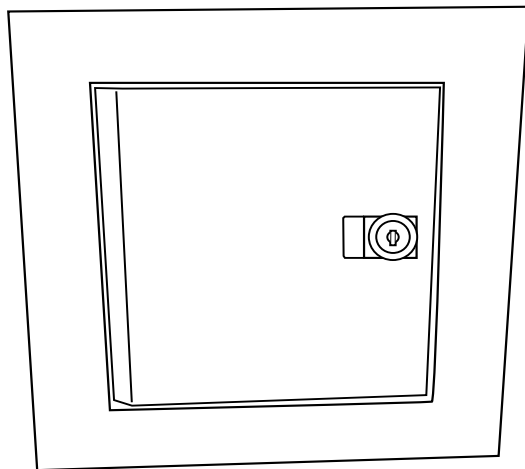


Fig. 8 Cabinet door closed and locked.

Installation is now complete.

OPTIONAL LOCK REMOVAL

If a locking cabinet is not necessary, a black rubber grommet (supplied with this kit) can be installed in place of the lock set. To do this follow the instructions below.

Step 1: Open the locking door and insert a Phillips screwdriver into the end of the lock to remove the latch as shown in Fig. 9.

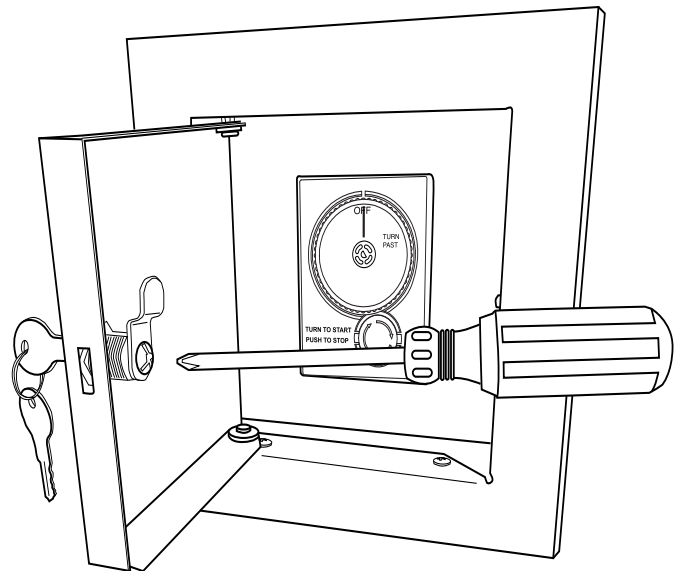


Fig. 9 Removing lock set latch.

Step 2: After the latch is removed, use a pair of pliers to remove the nut securing the lock set to the back of the door. After the nut is removed then slide the lock set out of the door assembly.

Step 3: Locate the black rubber grommet and squeeze it carefully into the hole, working it until the grommet fits evenly around the hole. See Fig. 10.

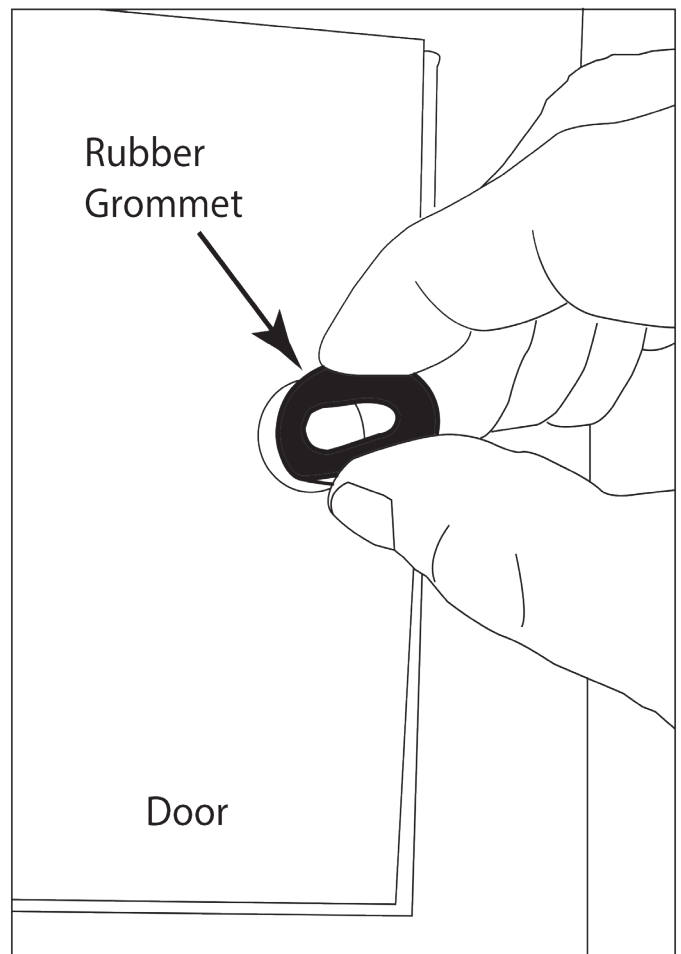


Fig. 10 Inserting grommet into door.

OPERATION

LOCKING CABINET

1. Insert key into lock, close door until it is flush with front face then turn key clockwise to latch in closed position.
2. Remove key.

NON-LOCKING CABINET

1. Push door closed until it is flush with the front face. Bullet catch will hold door closed in position.

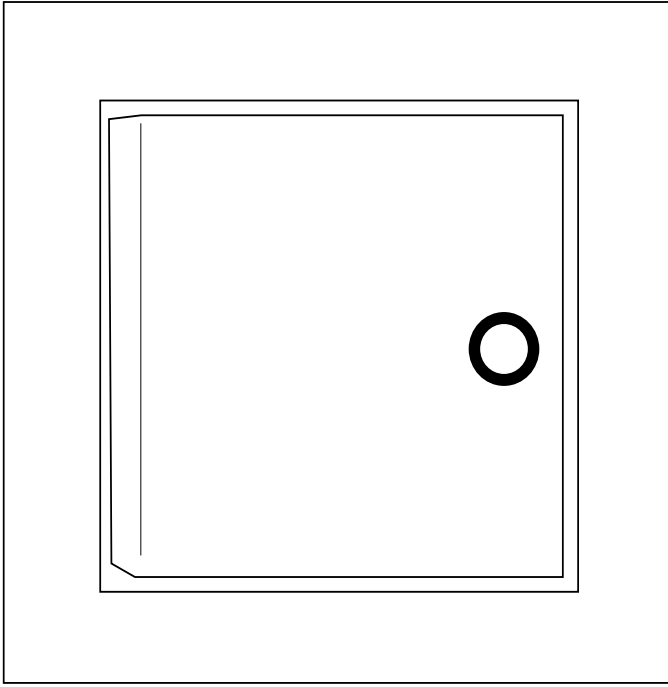
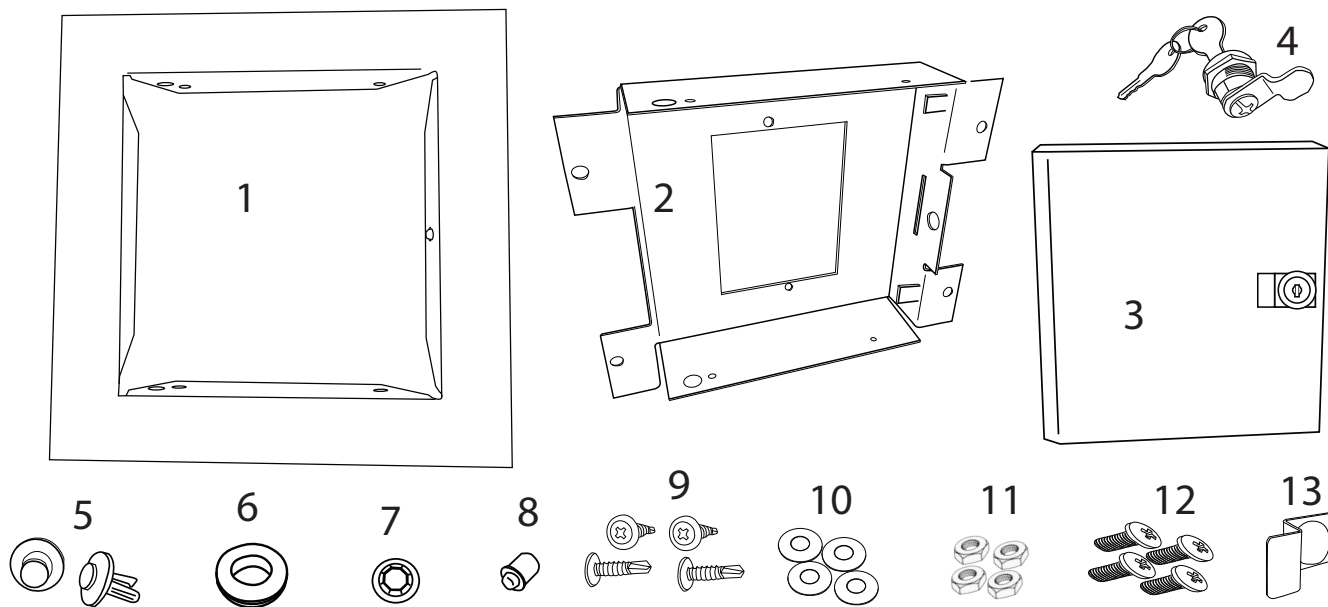


Fig. 11 Show black grommet properly installed in door.

Installation of black rubber grommet is now complete.

REPLACEMENT PARTS



REPLACEMENT PARTS LIST

#	Description	Part Number	Qty.
1	Control Face Plate - Stainless	77132	1
2	Back Panel - Stainless	ESTOP-BACK-PANEL	1
3	Door with Lock - Stainless	ESTOP-DOOR	1
4	Lock Set with Keys	U9945KA	1
5	Push Retainer	A12567	2
6	Rubber Grommet	9600K21	1
7	Push Nut (holds bullet catch)	4HFW9	1
8	3/8" Bullet Catch	1662A11	1
9	10x 3/4" Mod. Truss Phillips Screws	BCP75	4
10	#10 Stainless Washers	WASHER10SS	4
11	10x24 Stainless Nut	ST3-113-1020	4
12	10x24x 1.25 Phillips Pan Screw	SCREW1024PANSS	4
13	Door Pull	LOCKHANDLE	1

FOR TECHNICAL SERVICE, CALL: (800) 966-8126

Firegear Outdoors
 17322 Gothard St
 Huntington Beach, CA 92647
 Web Site: www.firegearoutdoors.com

Manual changes often occur, ensure to check the Firegear Outdoor website for any recent updates and warranty information.

