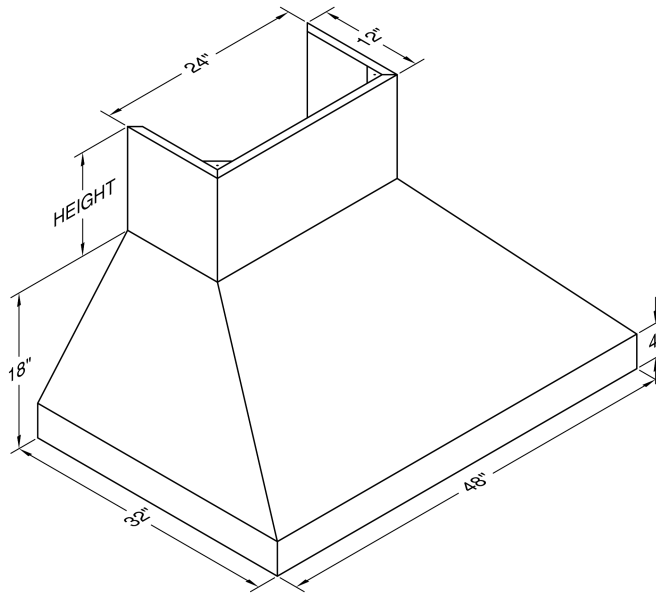


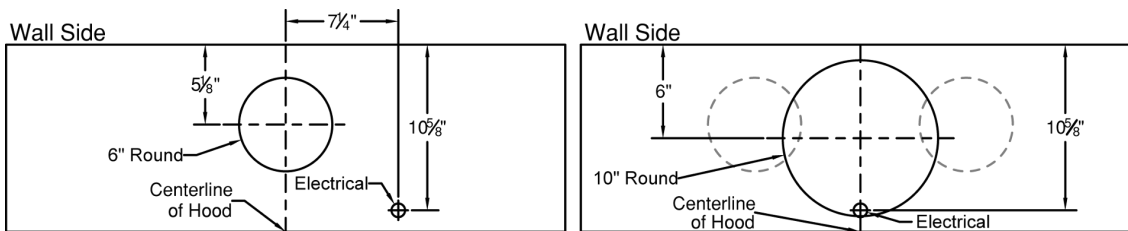
Model Number: EPH18-M48X32

Special Notes: LED GU10 lighting. Shown with optional duct cover (sold separately). Optional duct covers are available in standard sizes for 8', 9', and 10' ceilings. M600 and M1200 blowers are sold separately. Features stainless steel baffle filters.

| | |
|------------------|-----------|
| WIDTH: | 48" |
| DEPTH: | 32" |
| HEIGHT: | 18" |
| CFM: | See Chart |
| SONES: | N/A |
| AMPS: | See Chart |
| # LIGHTS: | 3 |

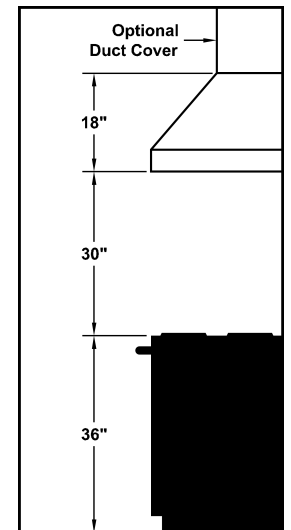


CONNECTION DIAGRAM



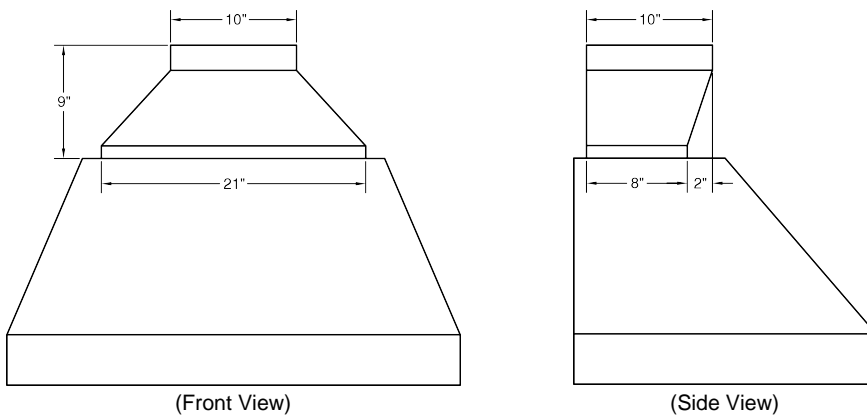
M600 & M1200 Connection Diagrams

REC. MOUNTING HEIGHT*



* Exceeding recommended mounting height may compromise performance.

VP566 Transition Details (Included with M1200)



(Front View)

(Side View)

(CHART B)

| SPEED | CFM @ 0.1" S.P. | | |
|-------|-----------------|----------|-------|
| | M600 | WHM300 * | M1200 |
| 1 | 240 | 240 | 420 |
| 2 | 300 | 300 | 645 |
| 3 | 500 | - | 865 |
| 4 | 625 | - | 1015 |

* The WHM300 is a wiring harness that when used with the M600 blower (sold separately) will disable blower speeds exceeding 300 CFM.

(CHART A) ELECTRICAL/MECHANICAL SPECIFICATIONS FOR BLOWER UNIT

| MODEL | VOLTS | AMPS+ | HZ | CFM SP@0.0" | CFM SP@0.1" | CFM SP@0.25" | CFM SP@0.5" | CFM SP@0.75" | MIN. ROUND DUCT SIZE |
|-----------------------|-------|-------|----|-------------|-------------|--------------|-------------|--------------|----------------------------|
| M600 Single | 115 | 5.0 | 60 | 630 | 625 | 615 | 600 | 580 | 6" (28in. ^{^2}) |
| M600 w/WHM300 Harness | 115 | 5.0 | 60 | 302 | 300 | 295 | 288 | 278 | 6" (28in. ^{^2}) |
| M1200 Dual | 115 | 10.0 | 60 | 1035 | 1015 | 1000 | 995 | 915 | 10" (79in. ^{^2}) |

+Add 0.5 amp for each halogen light. Hoods are available with halogen lights (2 lights: 30" - 41", 3 lights: 42" - 53", 4 lights: 54" - 66").