

# BLAZE

## BLAZE ISLAND ASSEMBLY



### CALIFORNIA PROPOSITION 65 WARNING

WARNING: This product can expose you to chemicals including Chromium (hexavalent compounds), which are known to the State of California to cause cancer and birth defects or other reproductive harm. For more information go to:

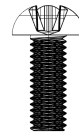
[www.P65Warnings.ca.gov](http://www.P65Warnings.ca.gov)

### WARNING:

**Do not use power tools to assemble. Only use hand tools, as power tools can damage or loosen the nutsert.**



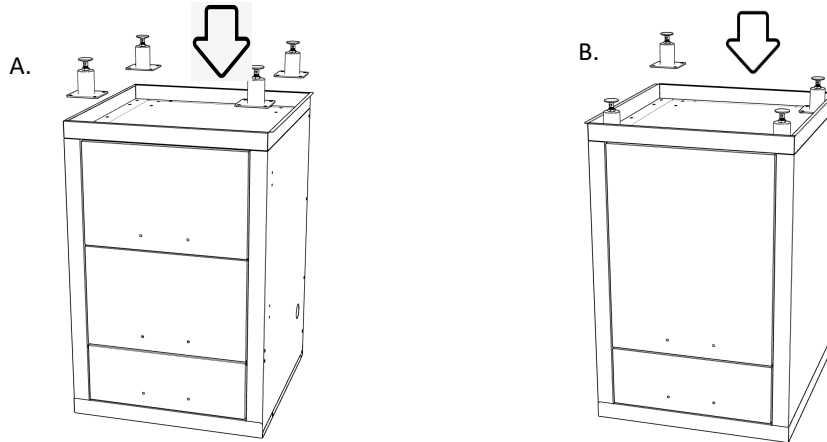
Tools Needed: #2 Phillips Head  
Screw Driver – “Not Included”



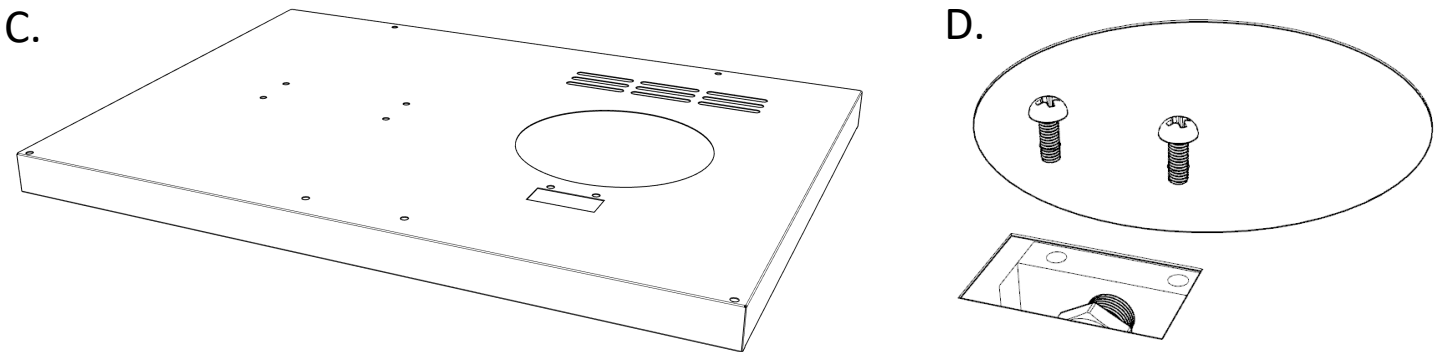
### Before getting started:

- Unpack and lay out all of the included parts. Most of the stainless steel pieces come with a protective film. Remove all of the plastic film and pay no attention to the print on the film as it has nothing to do with the assembly instructions.
- Take caution with the stainless steel components as to not scratch them during the assembly process. Use a non-aggressive surface and protect the stainless steel as best as possible.
  - (16) M5 x 12 mm screw will be paired with a M5 lock washer. Use M5 flat washer and lock washer for installing the casters to the base. All other connections will be made with a screw only.
  - **NOTE** - screws for the door handles are smaller and those are packaged with the handles them self.
  - (2) M5 x 24 mm - are to used last and are for securing BBQ to cart.
- The parts diagram has the parts labeled in the order in which they are used. Use the diagram as a reference, while following the steps below.

1. Locate left and right drawer assemblies. Making sure to use a protective surface. Flip the drawer assembly upside down on a protected surface exposing the four locations where the legs attach. Each location will have 4 nutserts (female threaded inserts which a screw goes into). This is the location where the legs install. Attach four leg assemblies to each drawer assembly (see figure A). Located the other drawer assembly and repeat. (see figure B). Set these parts aside for later use.



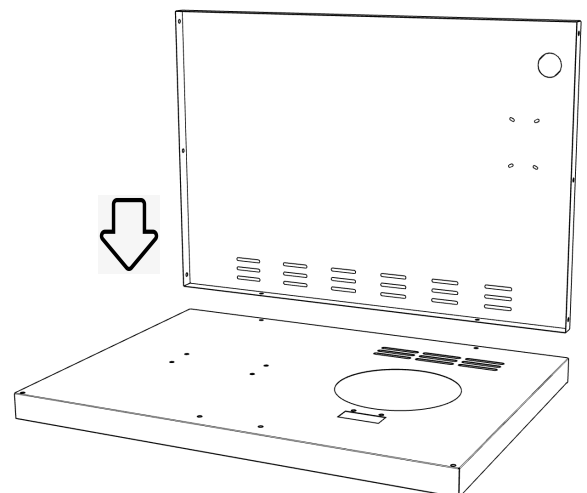
2. Locate the island center bottom panel (figure C) and install LP tank support. This piece gets installed on the underneath side of the cart bottom with the two screws going into it from the top of the bottom cart panel. The large bolt on the LP tank support threads into the LP tank's lower ring to hold it firmly onto the cart bottom. Install the LP tank support with two screws and tighten. (see figure D).



For the remainder of the grill cart assembly, the use of a second person is recommended and will make for an easier time assembling

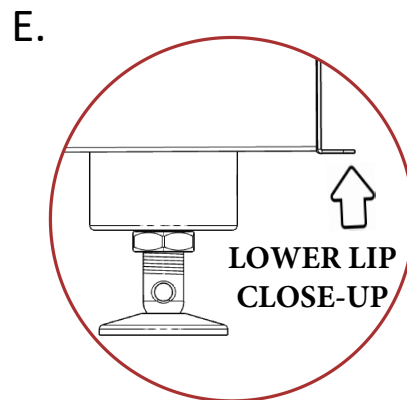
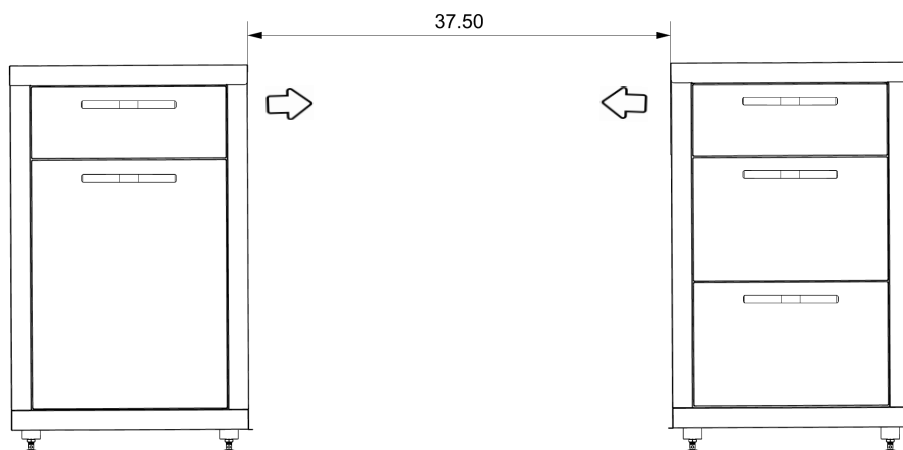


3. Next, attach the back panel to the bottom center panel using three screws. **DO NOT COMPLETELY TIGHTEN.** make sure your working on a soft surface to keep from damaging the product.

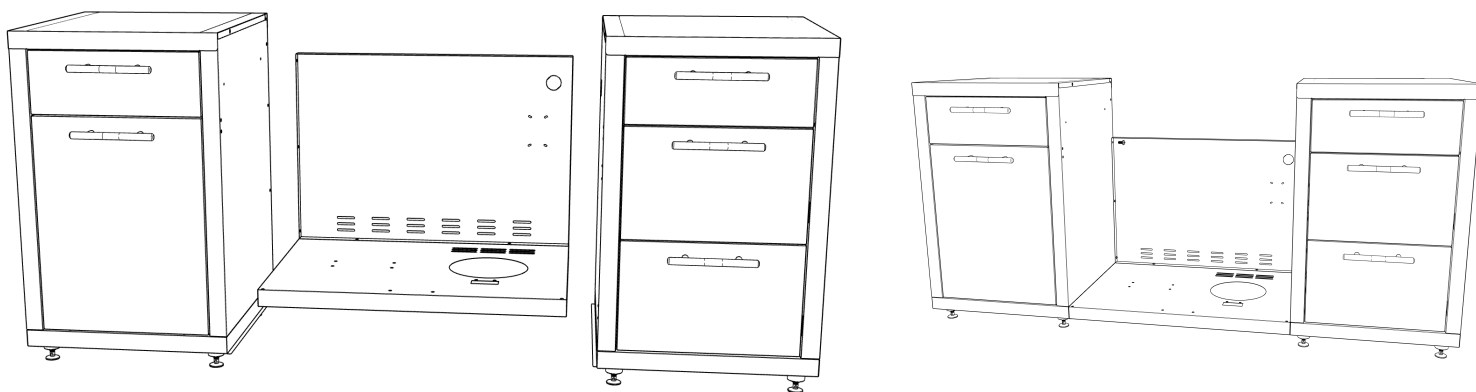


4. Connecting the center assembly:

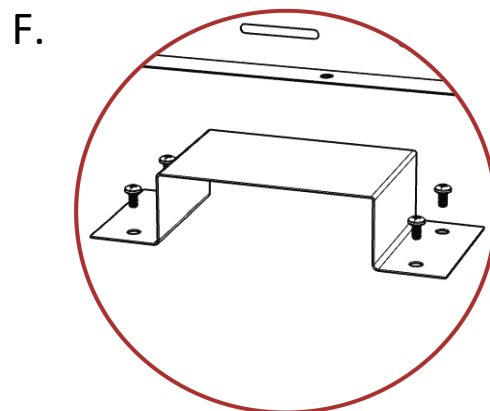
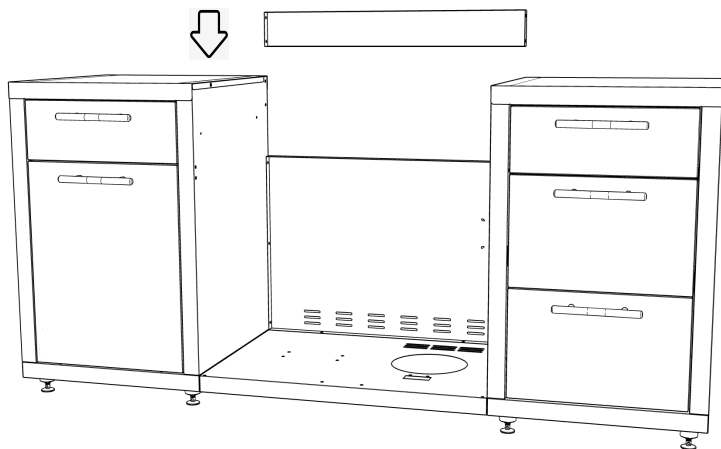
A. Place the two drawer assemblies roughly 37 1/2" apart . Make sure the bottom lip on both assemblies are facing towards the center of the island. See figure E for close-up view of part.



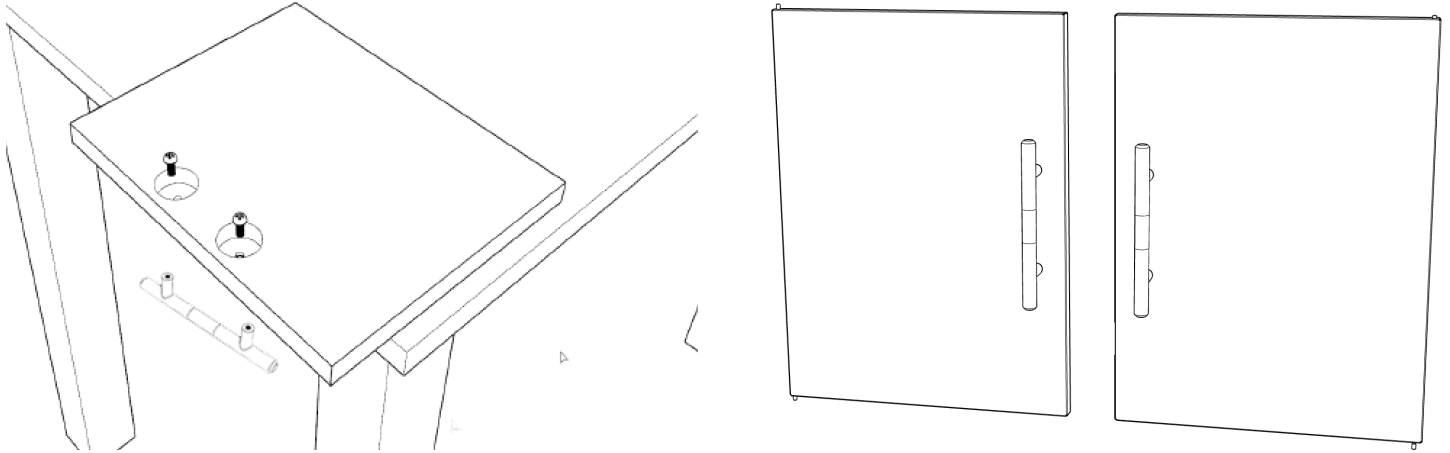
B. Place center panel between the drawer assemblies (it will rest on the inside bottom lip located on both drawer assemblies). You will need two people to align the drawer assemblies to the center panel. Once the center panel is in place and aligned the the front of the drawer assemblies use 6 screws to attach drawer assemblies to center back panel.



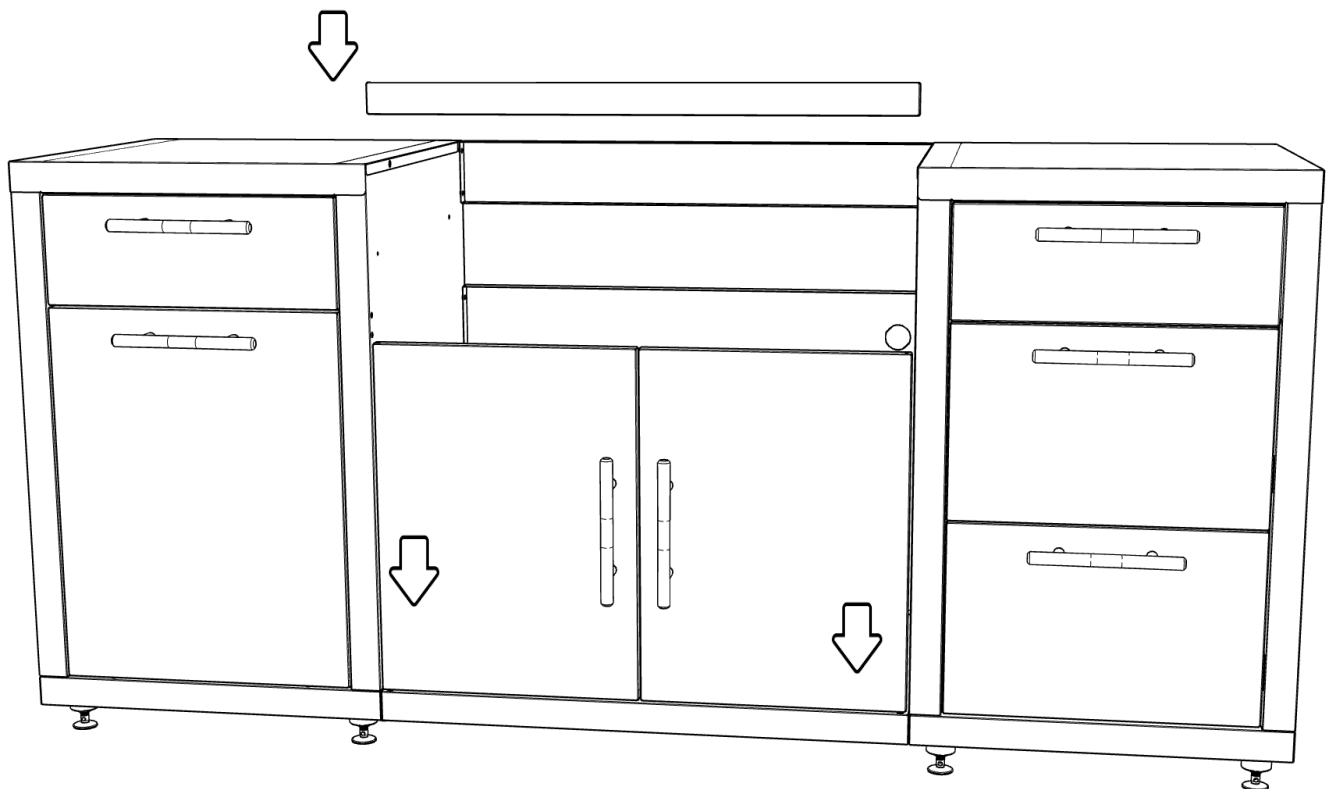
C. Attach upper back center strut and LP interference bracket - Locate the back center strut and align to upper back nutserts, using 4 screws attach strut. Now let's attach the tank interference bracket (Not included for a 3 burner cart model). This pieces are to intended interfere with a second LP tank being stored inside the grill cart which is not permitted. Using 4 screws, attach and tighten the Tank Interference bracket to the 4 nutserts adjacent to the large circular cutout for the LP tank (see figure F)



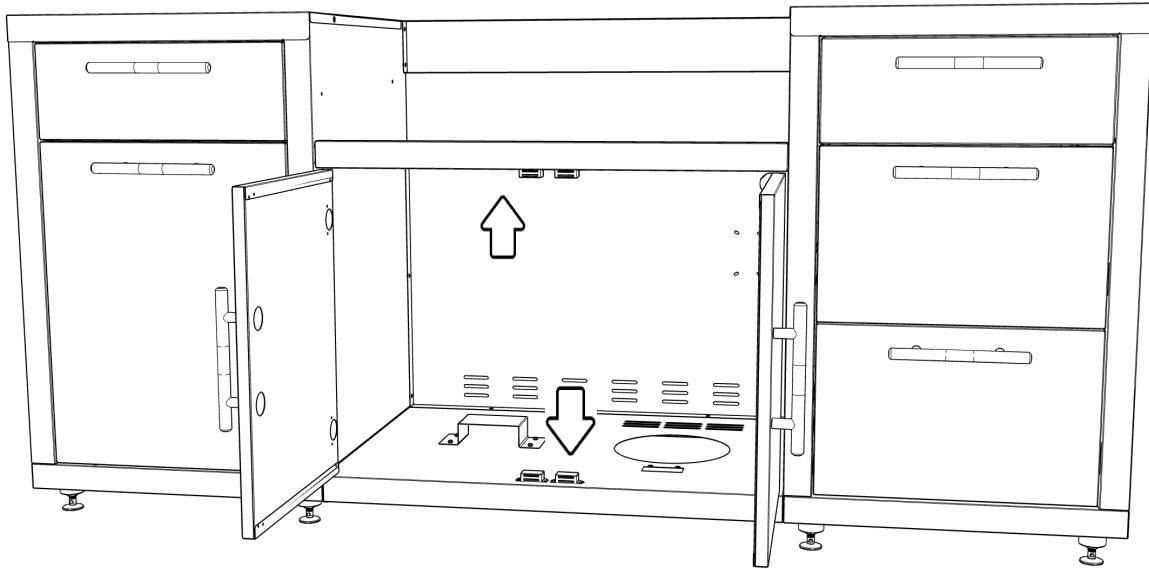
5. Attach Door Handles to the Doors - The door handles and hardware come packaged separately from the rest of the hardware. Two screws (M6x8) hold each handle to the door. Take care as to not scratch the doors by laying them on a soft surface. Hint: While on a soft surface on a work area like a table, hang the door off the edge just to the point where the holes are exposed for door handle. Place the screw in your screw driver then guide the screw into the hole on the door. Once in place, move the handle to the screw and get it started a small amount. This gives flexibility when attaching the second screw. Once both screws are in place, **tighten completely**.



6. Attach the front doors & The Front Strut Assembly - The door hinge pins are supported by the opening on the top of the bottom cart panel and at the bottom of the Front Strut assembly. On the larger 4+ 5 burner carts, the doors are large enough to accommodate a paper towel holder on one side. The L shaped wire to hold the paper towels are positioned towards the top of the door which allows you to identify the left and right hand door. Using your helper, place the door hinges first into the top of the bottom cart panel then into the bottom of the front strut. While your partner holds everything in place, attach the front Strut to the left and right hand side panels using three screws per side. **At this point, all screws from the earlier steps can be completely tightened.**

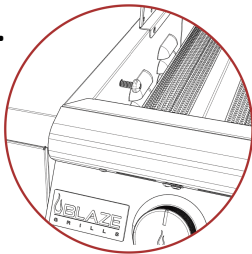


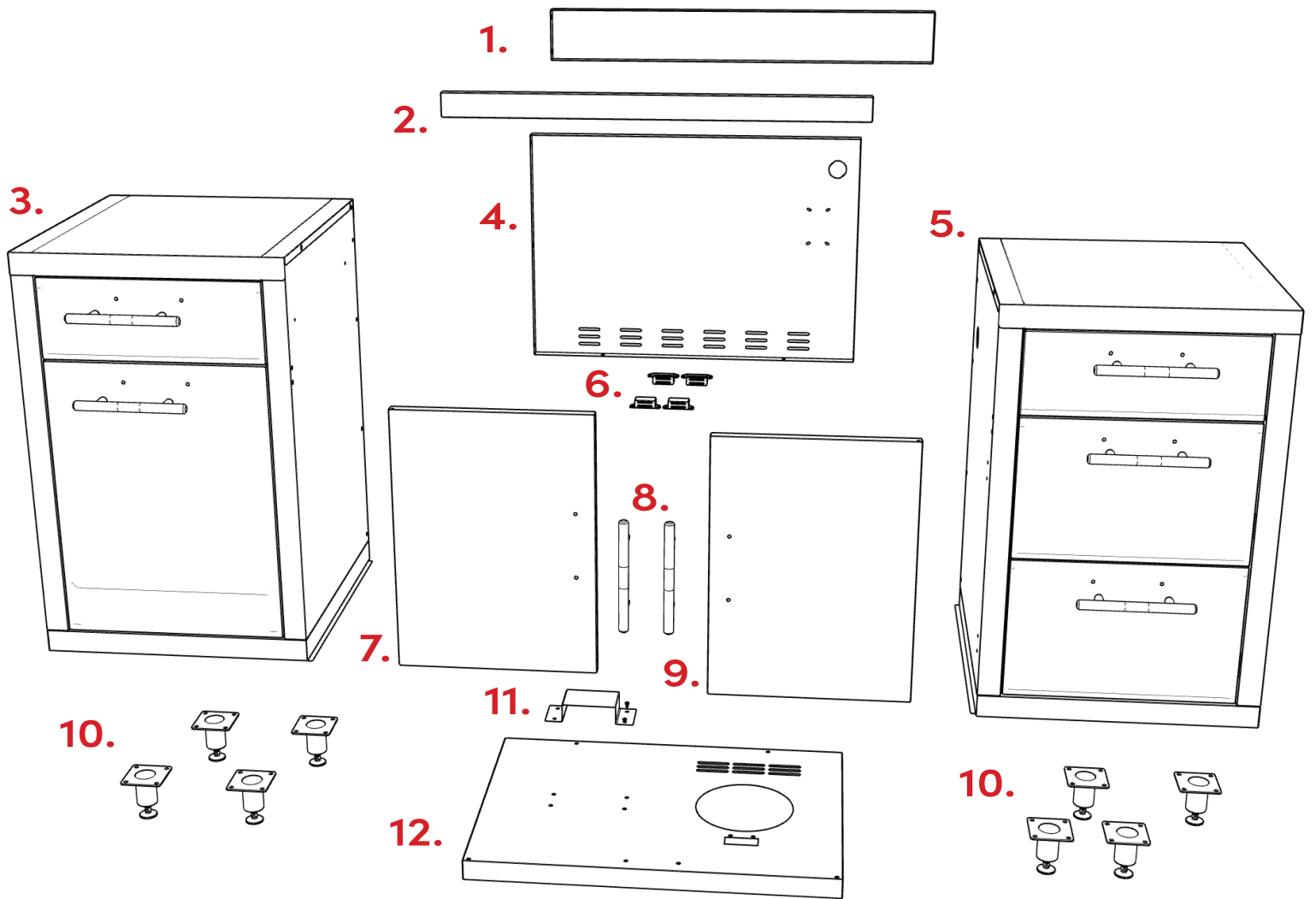
9. Attach upper and lower magnetic catch - Two screws hold the catch to the bottom cart panel. Place the lower magnetic catch in place and attach with the two screws. Both the top and bottom magnetic catches can be moved forwards and backwards in order to allow the doors to stop at a flush position with the cart frame. Adjust if necessary.



10. The grill gets placed into the grill cart and attached with two screws. Always use a partner when lifting the grill, and removing the inside parts above the burners can reduce the weight of the grill and make it easier to lift. With the cooking grids still removed, you will see an opening towards the front left and right hand side on the inside of the grill body (see figure G). One screw per side goes through the inside of the grill and attaches to the cart. These screws but do not over tighten. Final product looks like the below image.

G.





1. Island back upper strut	10. Island adjustable feet	
2. Island front upper strut	11. Island LP interference bracket	
3. Island left drawer assembly	12. Island bottom center panel	
4. Island back center panel		
5. Island right drawer assembly		
6. Island magnetic door latch		
7. Island left door		
8. Island door and drawer pulls		
9. Island right door		

