

ART-36



ART-36C Cart Model



ART-36 Built-in

Features

- Three 20,000 BTU main U-burners
- Total 60,000 BTUs
- 110V electronic ignition
- Dual halogen lighting
- 2-position warming rack
- Optional: Rotis accessory ART-ROT36 (Includes motor, spit, and forks only)

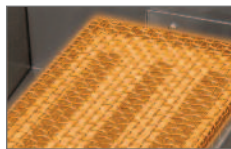
Available Models

ART-36C Cart Model

ART-36 Built-in

(Cart Model ships fully Assembled)

Grill Accessories



Sear Zone™ Infrared Burner



Doors and Drawers



Single Side Burner



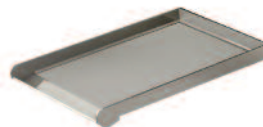
Dual Side Burner



Trash Center



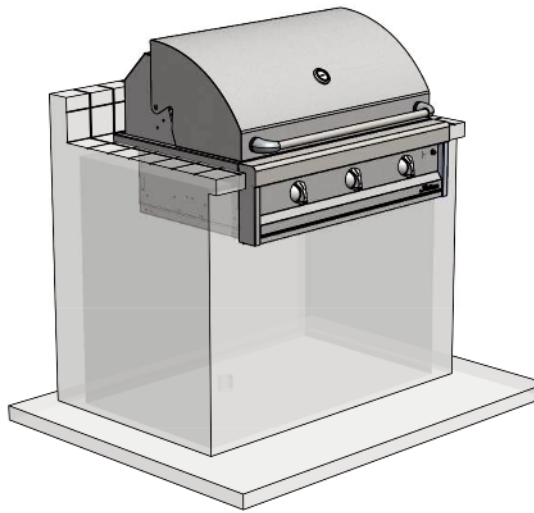
Waste Chute



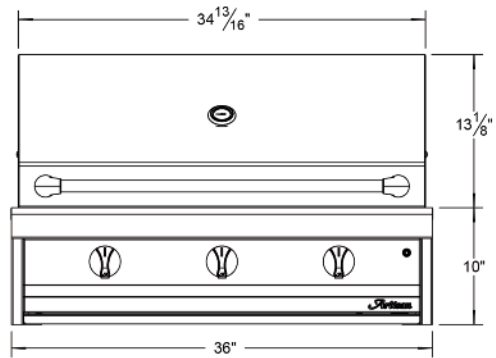
Griddle Top



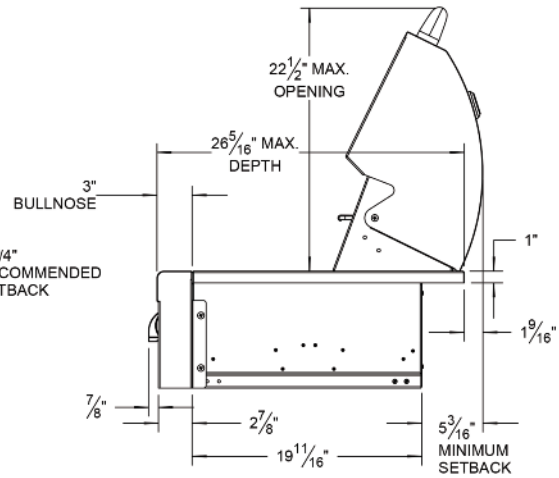
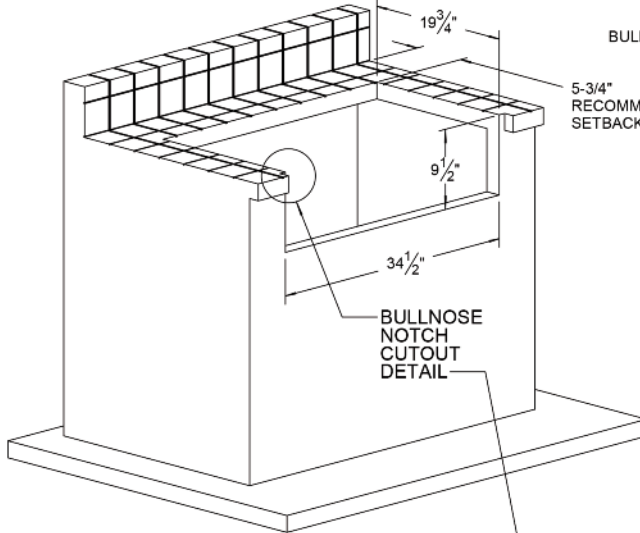
Insulated Ice Bin



TYPICAL ART-36 INSTALLATION

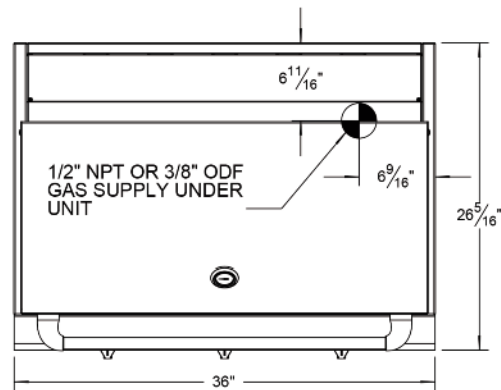
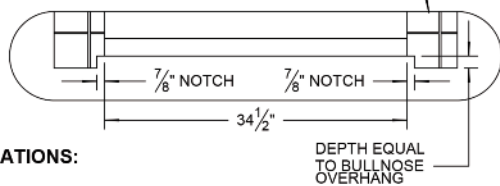


COUNTERTOP CUTOUT REQUIREMENTS



SPECIFICATIONS:

BTUH = 60,000
 FUEL NG @ 5 W.C. / LP @ 10 W.C.
 ELECTRICAL POWER 115VAC IGNITION SYSTEM
 GAS CONNECTION: 1/2" NPT (NG) OR 3/8" ODF (LP)



NOTE:
 COUNTER MUST HAVE THE PROPER GAS SUPPLY
 FOR YOUR ARTISAN BBQ.

Artisan Authorized Dealer:	Project/Client:	Date:
		Contact: