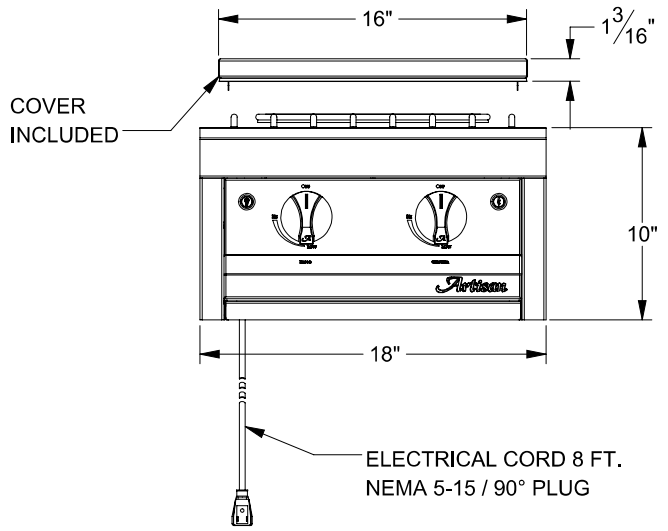


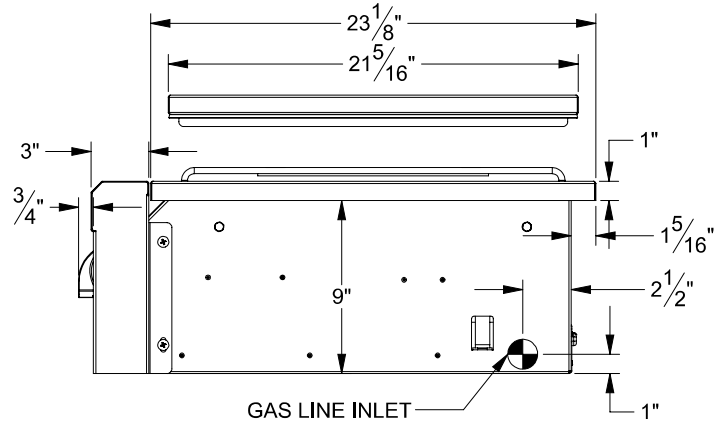
ARTP-24PB UNIT

TYPICAL ARTP-18PB INSTALLATION

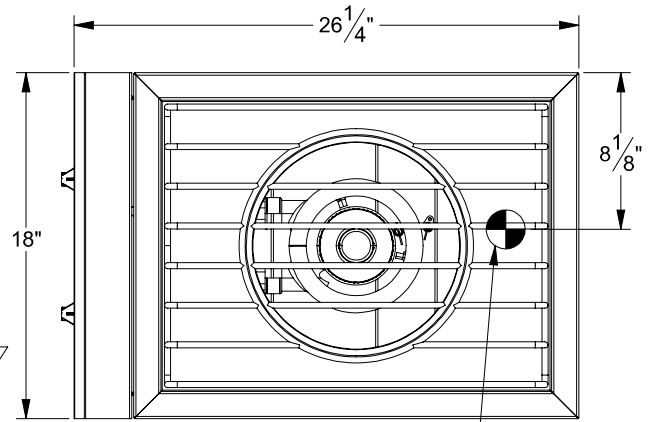


COVER INCLUDED

ELECTRICAL CORD 8 FT. NEMA 5-15 / 90° PLUG

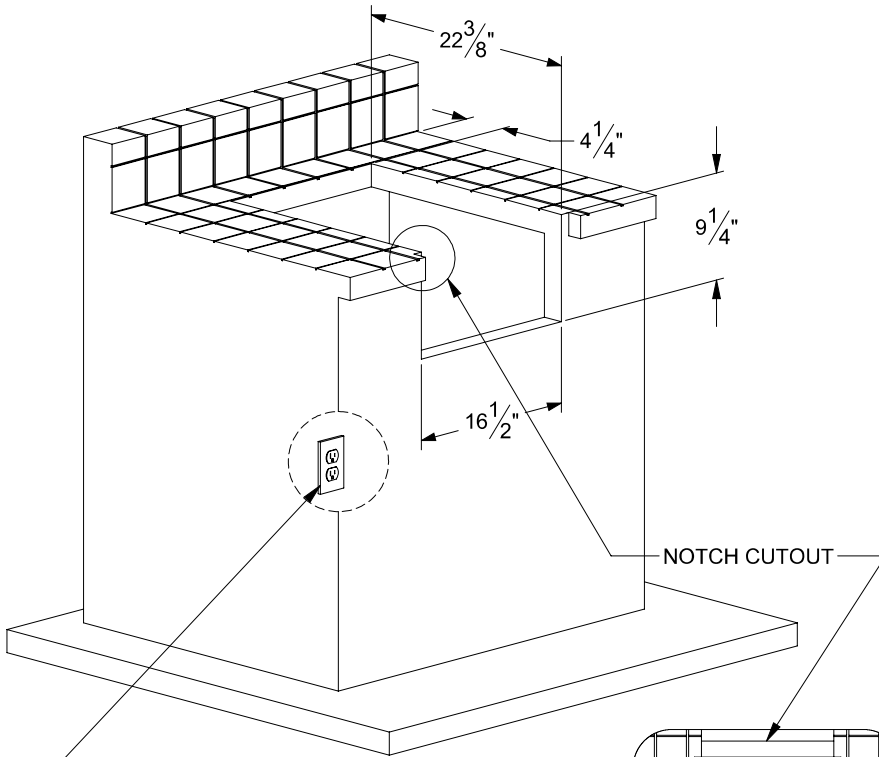


GAS LINE INLET



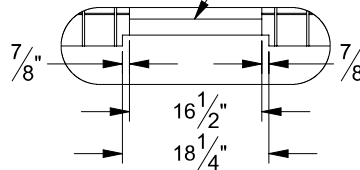
GAS LINE INLET

COUNTERTOP CUTOUTS



NOTCH CUTOUT

NOTE: ELECTRICAL POWER IS REQUIRED UNDER THE COUNTER (GFCI RECOMMENDED)



LP GAS SETUP:

ADAPTER: 1/2" MPT X 3/8" MPT

REGULATOR WITH 36" HOSE

NOTE: STANDARD UNIT HAS A NATURAL GAS (NG) CONNECTION WITH 1/2" FPT FITTING.

IF LIQUID PROPANE (LP) OPTION IS ORDERED THE UNIT IS SUPPLIED WITH A REGULATOR, HOSE AND ADAPTER FITTING AS SHOWN.

SPECIFICATIONS:

- BTUH = 60,000
- FUEL = NG @ 5" W.C. OR LP @ 10" W.C.
- ELECTRICAL POWER = 115 VAC / 50-60 Hz.
- GAS CONNECTION = 1/2" NPT (NG) OR 3/8" ODF (LP)