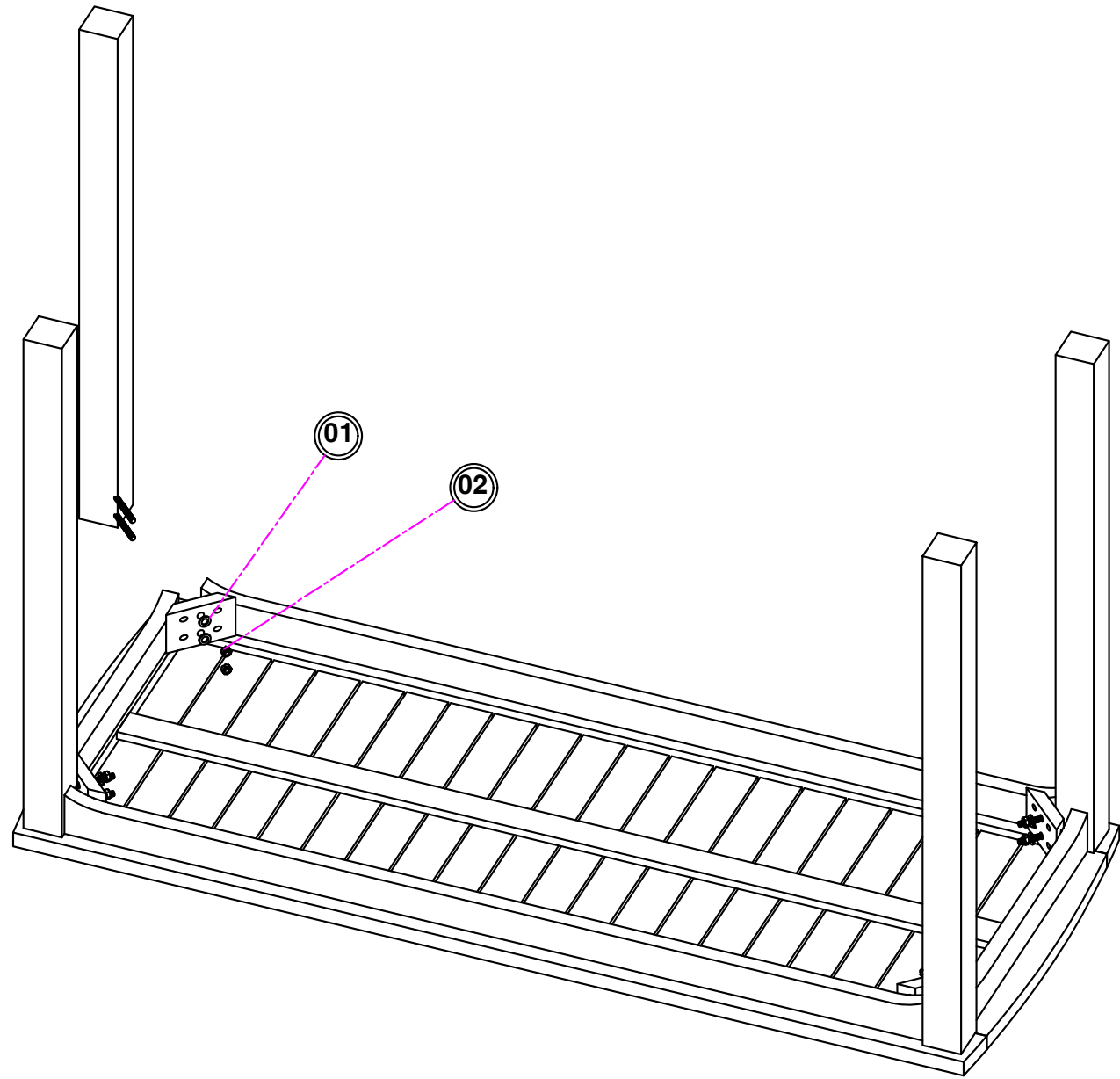



HITEAK



HARDWARE

1) Washer M10: 8 Pcs 

2) Nut M10: 8 Pcs 

*) Wrench M17: 1 Pc 