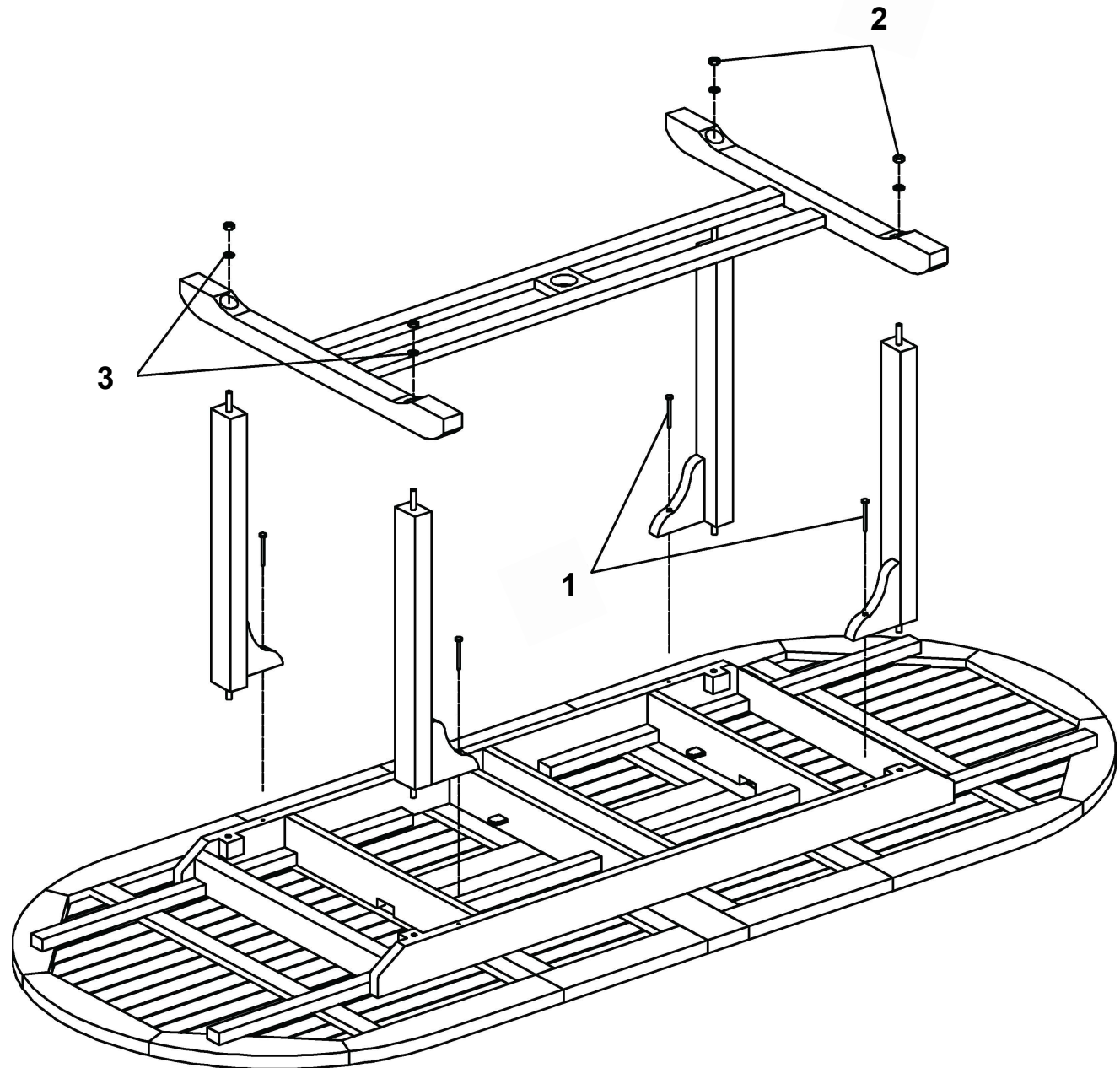


HITEAK



HARDWARE

- 1) F-Screw M6x60: 4 Pcs
- 2) Nut M10: 4 Pcs
- 3) Washer M10: 4 Pcs
- *) Wrench M17: 1 Pc
- ***) Allen Key M4: 2 Pcs