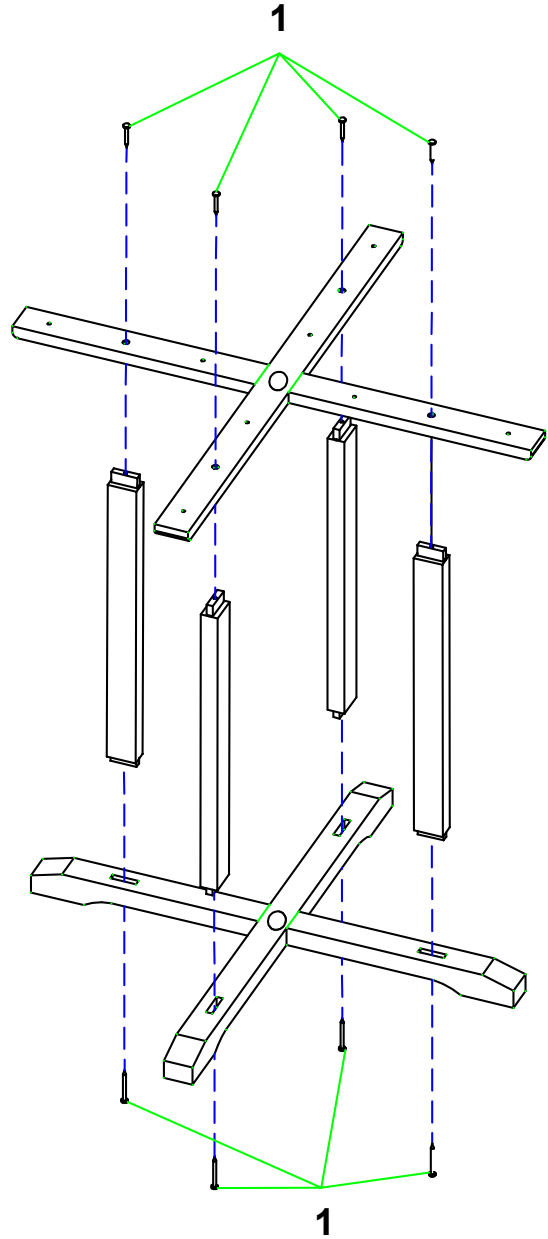
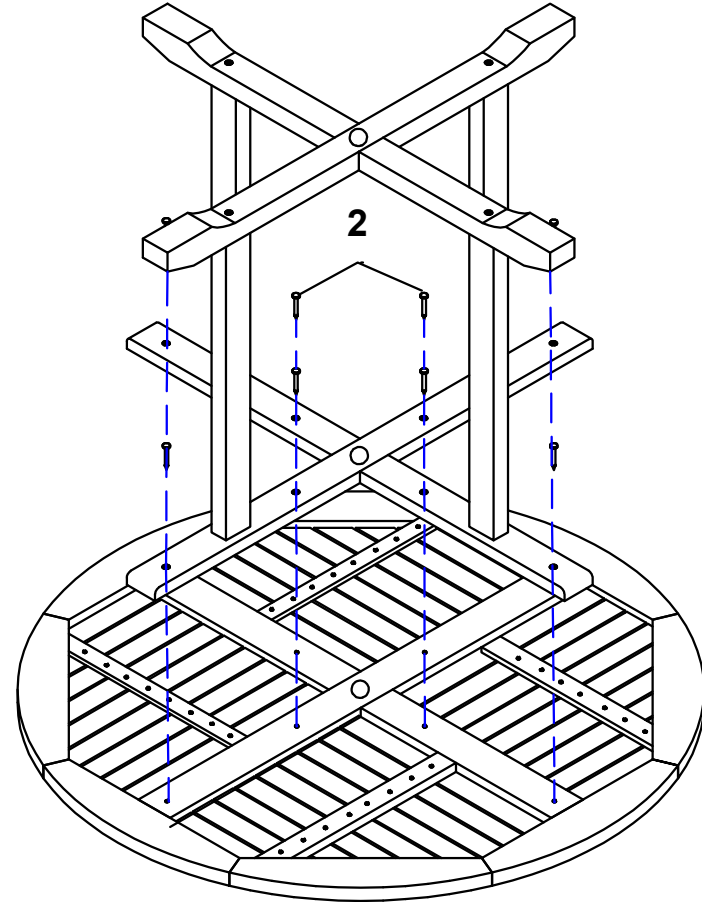


HITAK

Step 1



Step 2



HARDWARE

1) F-Screw M6X60: 4 Pcs 

2) F-Screw M6x40: 12 Pcs 

*) Allen Key M4: 2 Pcs 