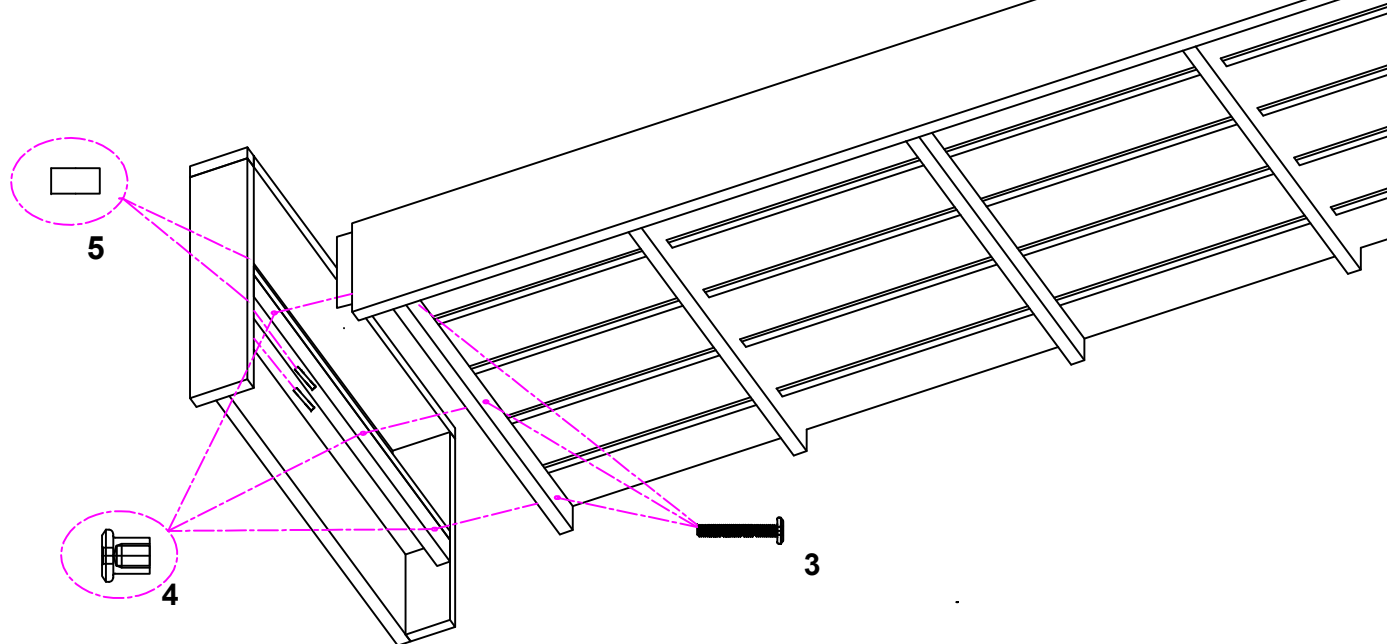



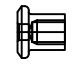
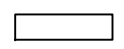
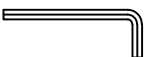
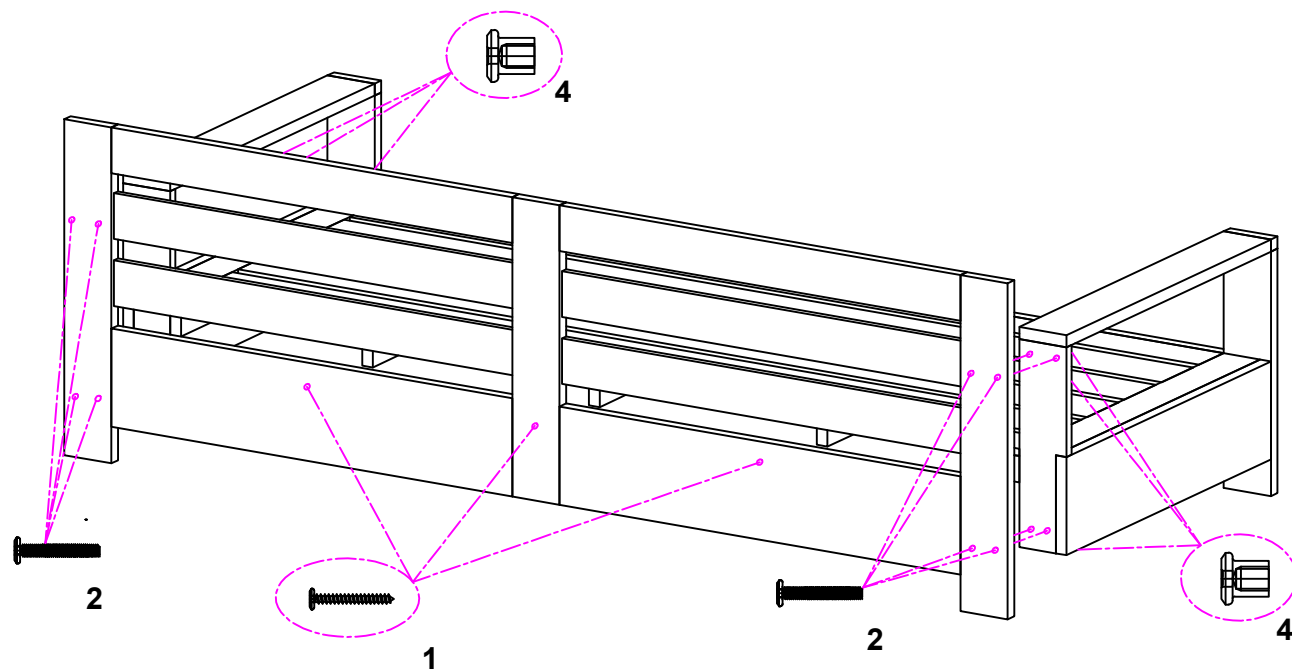


HITEAK

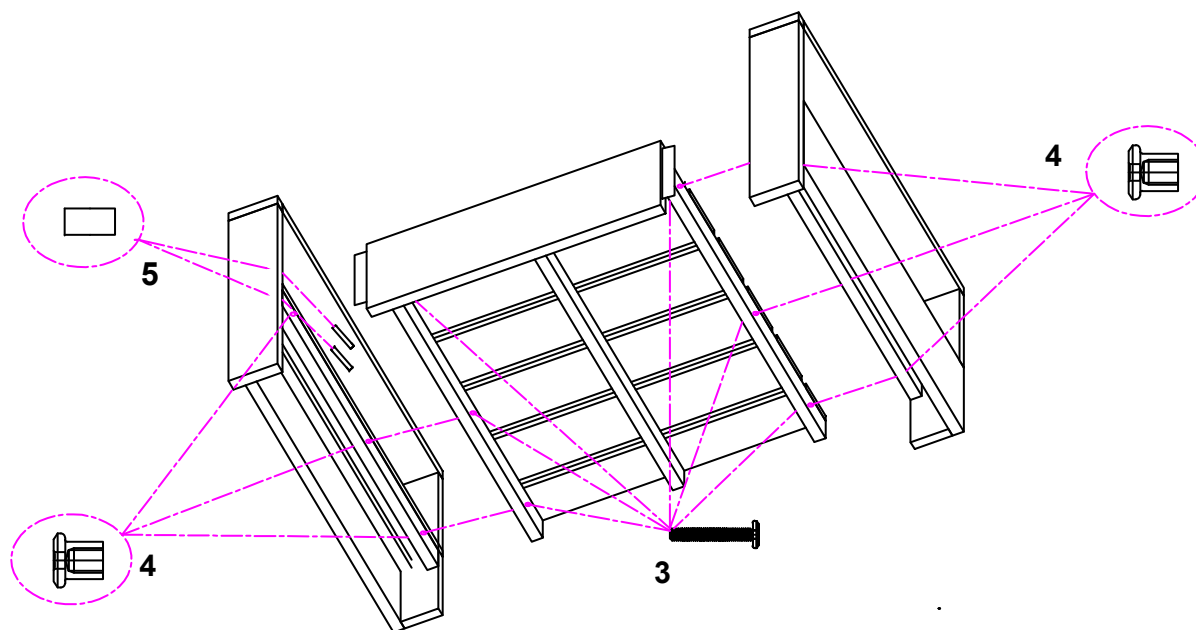


HARDWARE

- | | | |
|-------------------|--------|-------------------------------------------------------------------------------------|
| 1) F-Screw M6x60: | 3 Pcs |  |
| 2) Bolt M8x35: | 8 Pcs |  |
| 3) Bolt M8x40: | 6 Pcs |  |
| 4) Sleeve Nut: | 14 Pcs |  |
| 5) Dowel Ø8: | 4 Pcs |  |
| *) Allen Key M4: | 2 Pcs |  |



HITEAK



HARDWARE

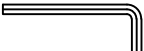
1) F-Screw M6x60: 1 Pc 

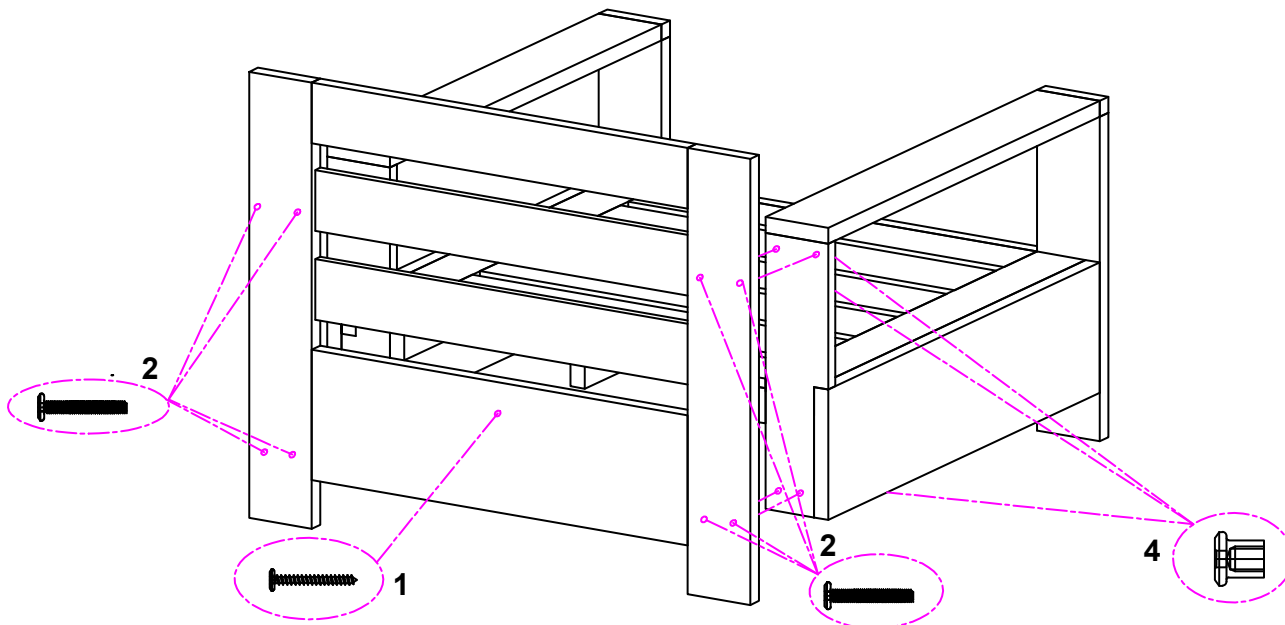
2) Bolt M8x35: 8 Pcs 

3) Bolt M8x40: 6 Pcs 

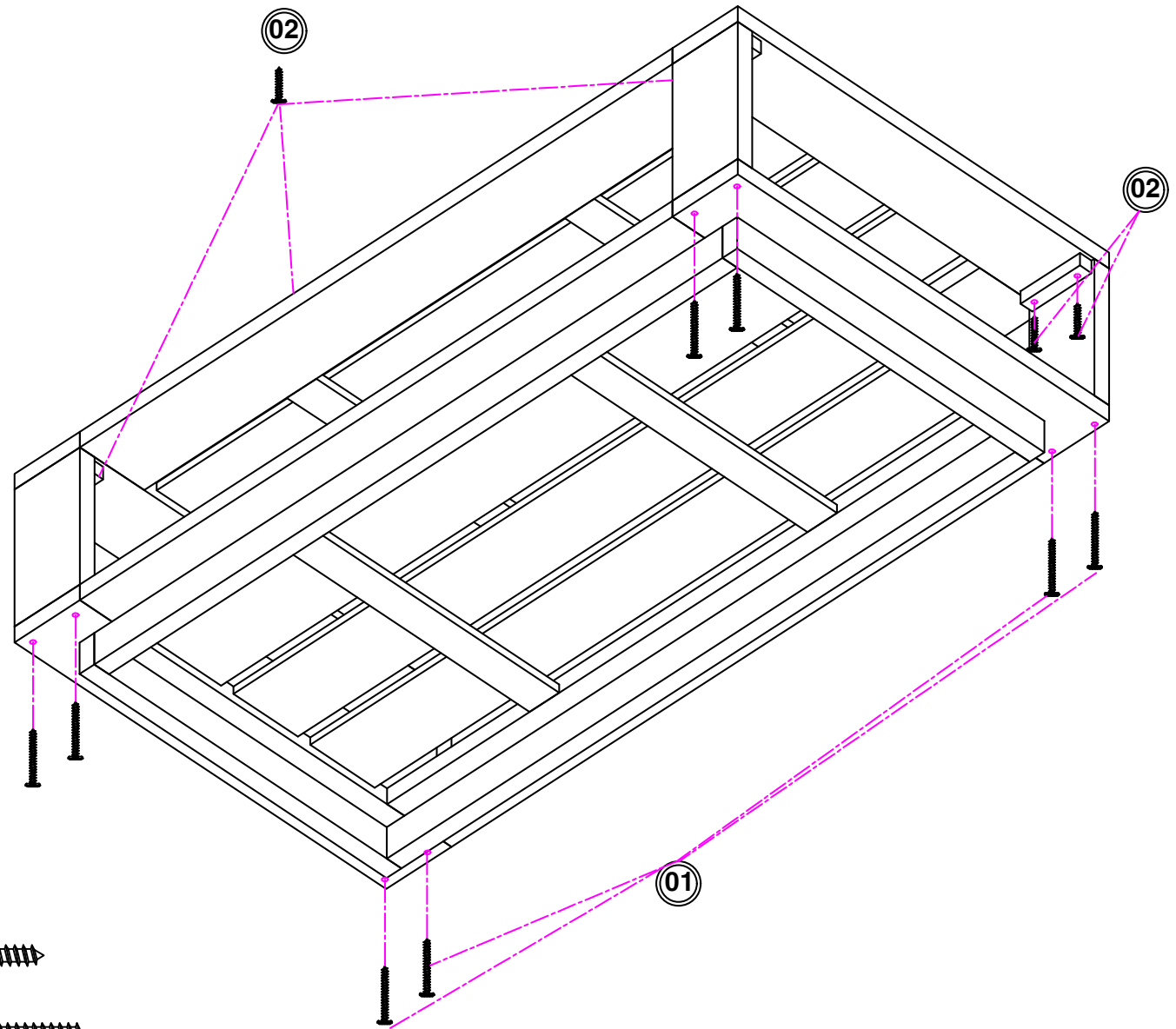
4) Sleeve Nut: 14 Pcs 

5) Dowel Ø8: 4 Pcs 


*) Allen Key M4: 2 Pcs 



HITEAK



HARDWARE

1) F-Screw M6x40: 8 Pcs 

2) F-Screw M6x60: 8 Pcs 

*) Allen Key M4: 1 Pc 