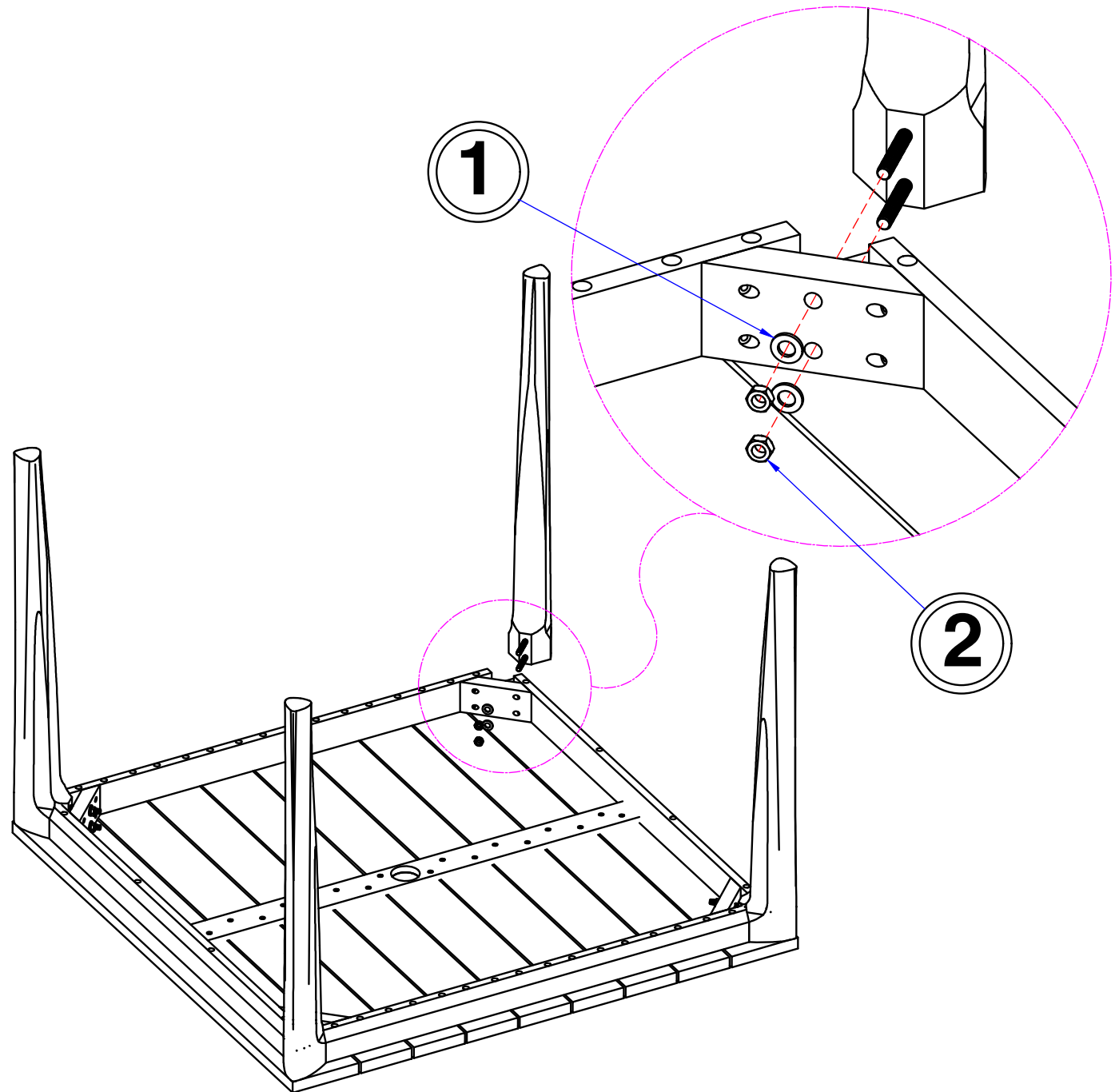


# HITEAK



## HARDWARE

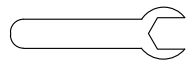
1) S.S. Washer: 8 Pcs



2) Hex Nut M10: 8 Pcs



\*) Wrench: 1 Pc



## HLAC464 ASSEMBLY INSTRUCTIONS

# HITEAK

### How To: Install Mesh Fabric into Frame

**Back piece:** Simply insert the two ends onto the sides of the wooden chair.

#### **Seating piece:**

- Insert the mesh fabric onto the side holes of the seating first,
- Slowly insert the wooden sticks into the side holes of the seating.  
You can use a hammer to slightly tap the wooden sticks into place.

[info@hiteakfurniture.com](mailto:info@hiteakfurniture.com)

(714) 998-0088

[www.hiteakfurniture.com](http://www.hiteakfurniture.com)