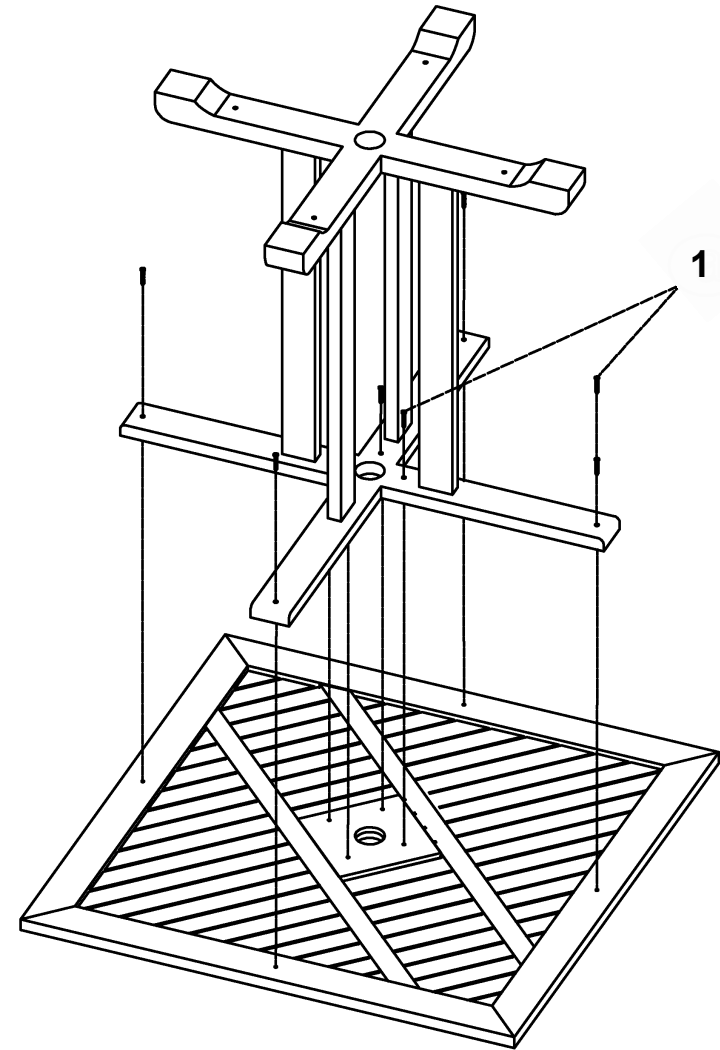
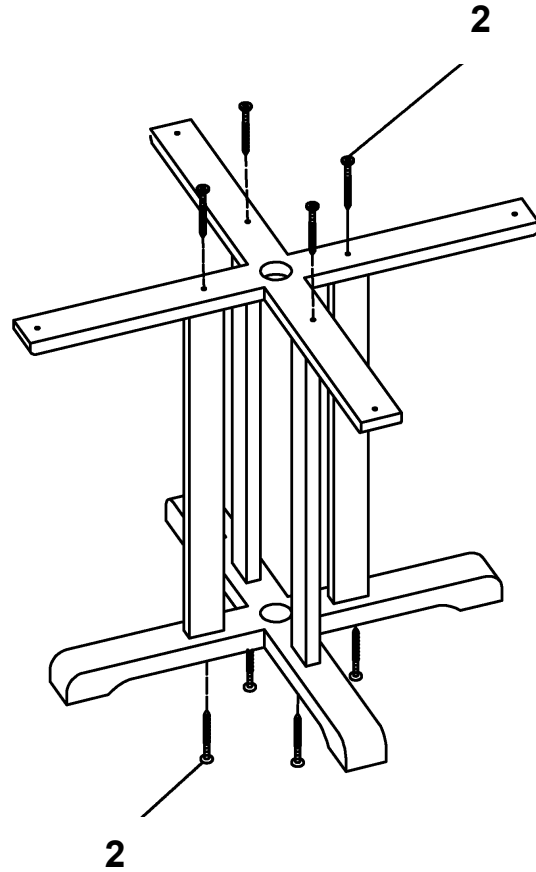


HITEAK



HARDWARE

1) F-Screw M6x40: 8 Pcs 

2) F-Screw M6x60: 8 Pcs 

*) Allen Key M4: 2 Pcs 

HLAC1807 ASSEMBLY INSTRUCTIONS

HITEAK

How To: Install Mesh Fabric into Frame

Back piece: Simply insert the two ends onto the sides of the wooden chair.

Seating piece:

- Insert the mesh fabric onto the side holes of the seating first,
- Slowly insert the wooden sticks into the side holes of the seating.
You can use a hammer to slightly tap the wooden sticks into place.

info@hiteakfurniture.com

(714) 998-0088

www.hiteakfurniture.com