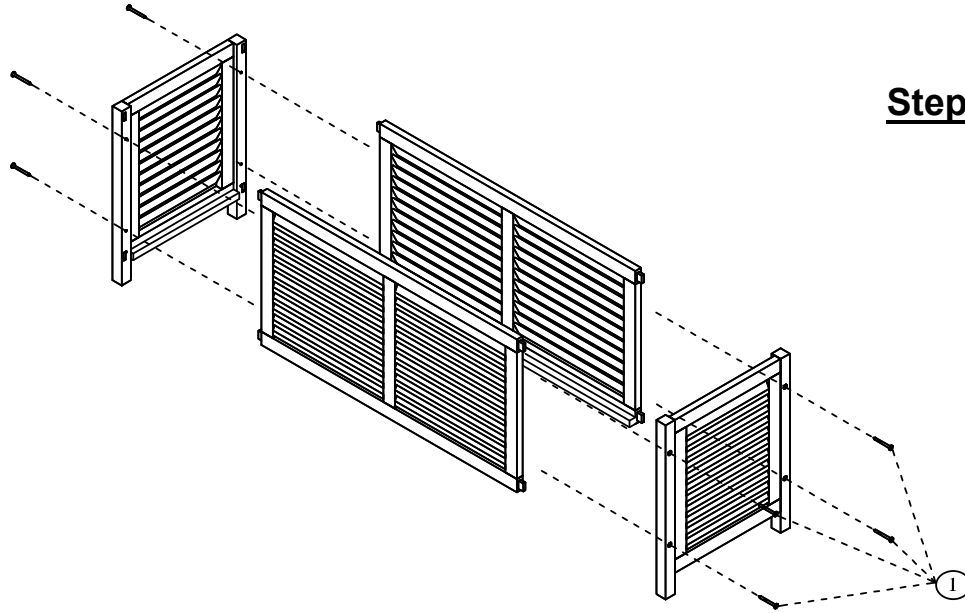
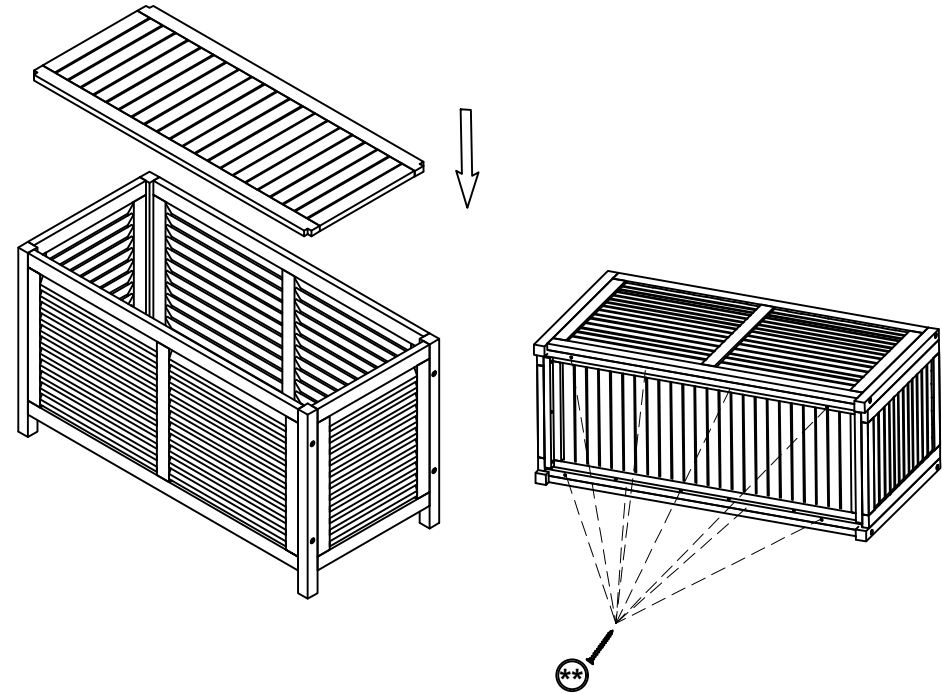


HITEAK

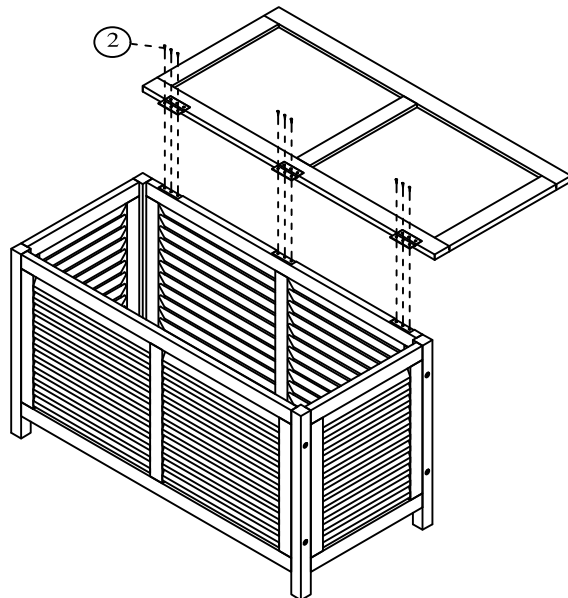
Step 1



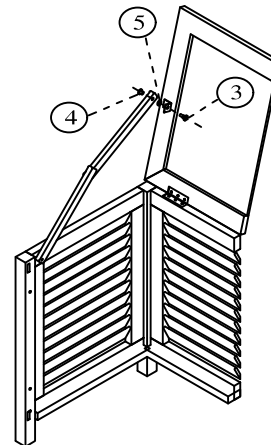
Step 2



Step 3



Step 4



HARDWARE

1) F-Screw M6x70: 8 Pcs

2) C-Screw M3.5x15: 9 Pcs

3) Bolt M6x20: 2 Pcs

4) Cap Nut M6x9: 2 Pcs

5) Washer: 2 Pcs

*) Allen Key M4: 2 Pcs

**) Screw M4x30: 8 Pcs