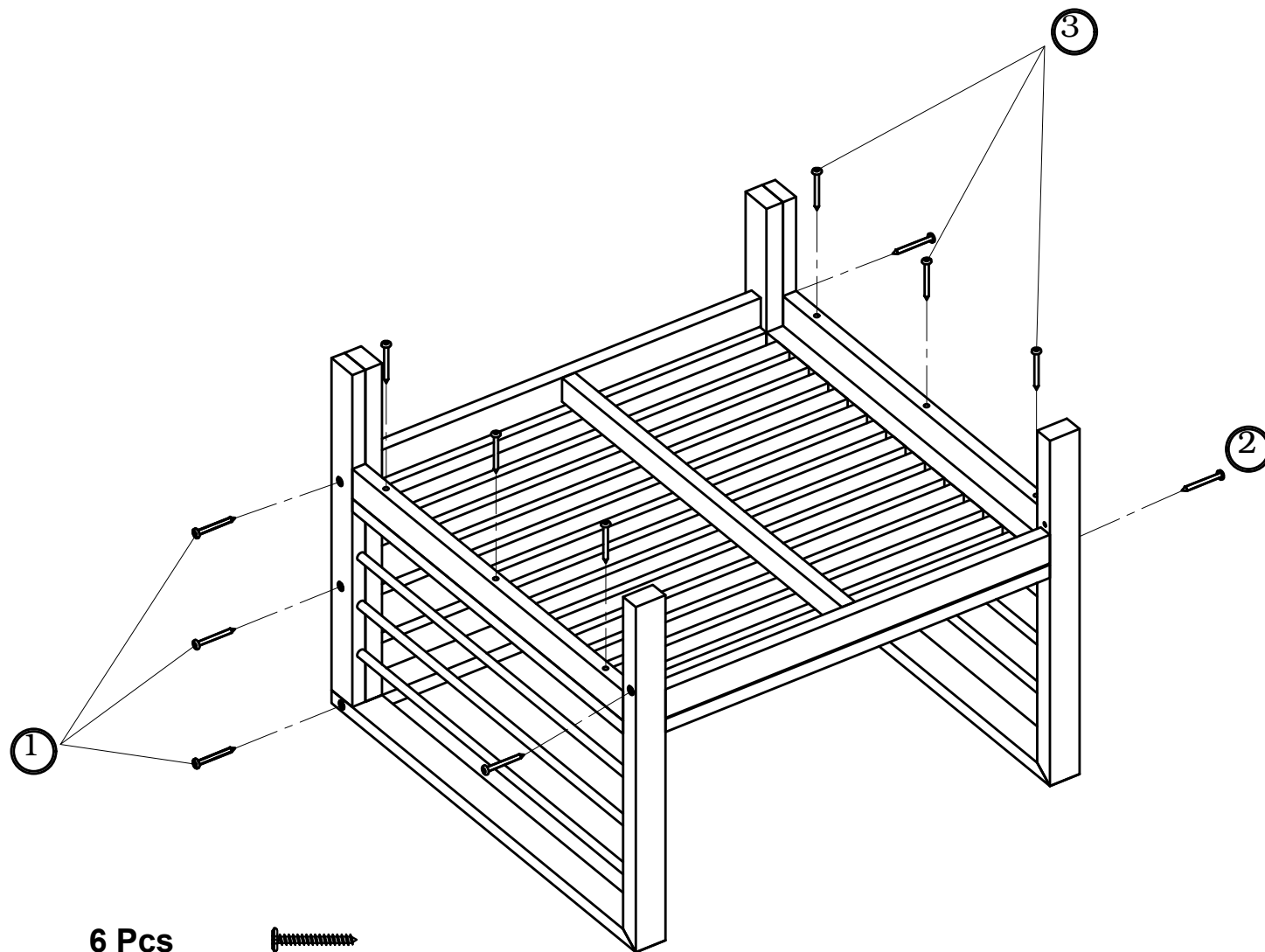


# HITEAK



## HARDWARE

1) F-Screw M6x40: 6 Pcs 

2) F-Screw M7x80: 2 Pcs 

3) Chipboard Screw M5x50: 6 Pcs 

\*) Allen Key M4: 2 Pcs 