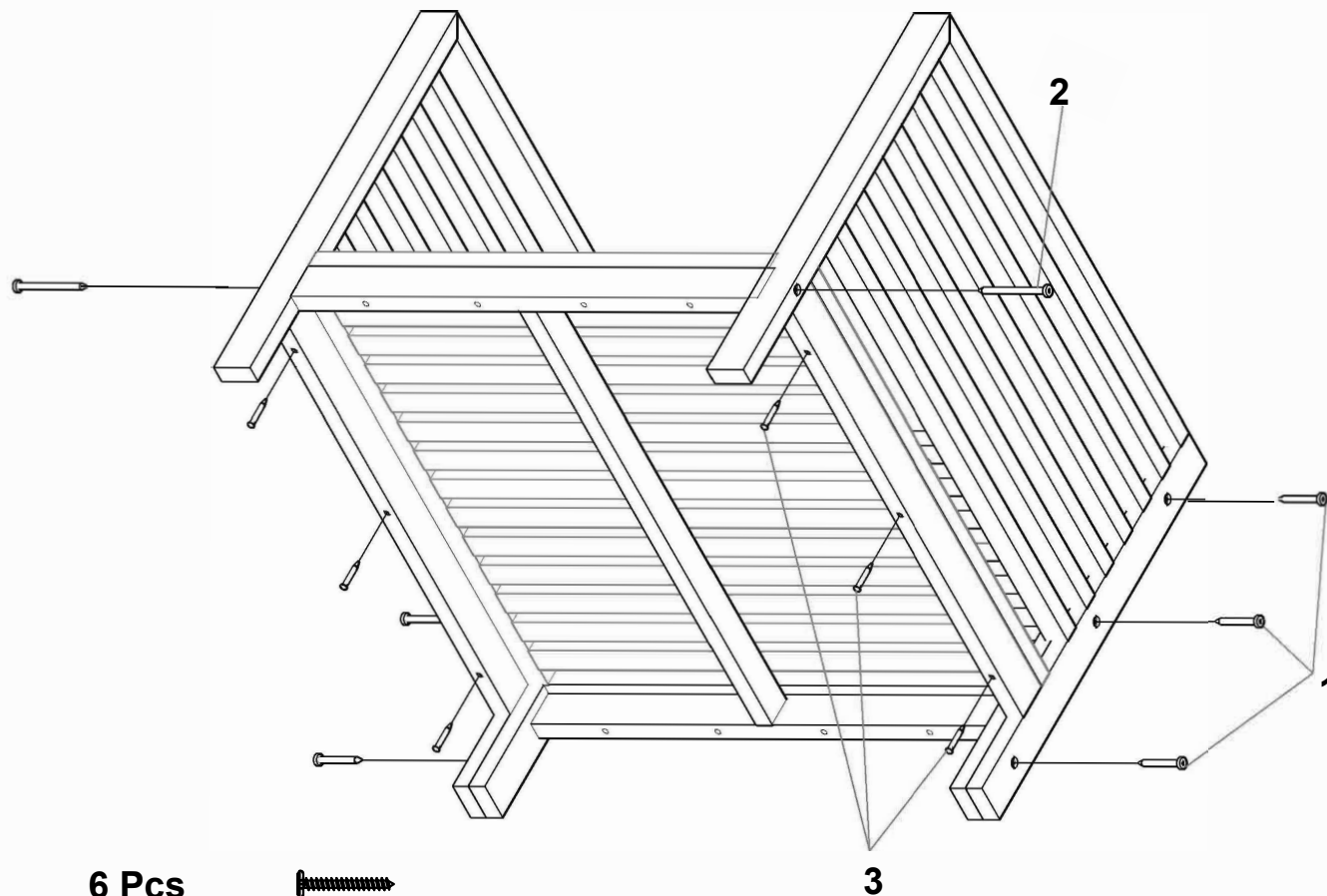


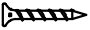



HITEAK



HARDWARE

- | | | |
|---------------------------|-------|-------------------------------------------------------------------------------------|
| 1) F-Screw M6x40: | 6 Pcs |  |
| 2) F-Screw M7x80: | 2 Pcs |  |
| 3) Chipboard Screw M5x50: | 6 Pcs |  |
| *) Allen Key M4: | 2 Pcs |  |