

# Broil King®

---

## ASSEMBLY MANUAL & PARTS LIST - MANUEL DE MONTAGE & LISTE DE PIÈCES

---



**Broil King**  
CROWN 420  
8652-54  
8652-57



**Broil King**  
CROWN S 420  
8653-54  
8653-57



**Broil King**  
CROWN 440  
8652-64  
8652-67



**Broil King**  
CROWN S 440  
8653-64  
8653-67



**Broil King**  
CROWN 490  
8652-84  
8652-87



**Broil King**  
CROWN S 490  
8653-84  
8653-87

---

RETAIN FOR FUTURE REFERENCE - VEUILLEZ CONSERVER POUR REFERENCE ULTERIEURE

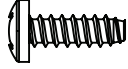
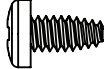
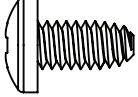
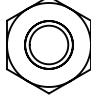
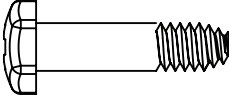

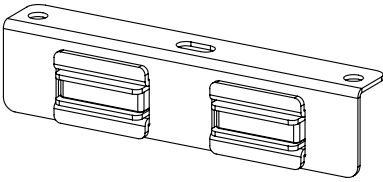
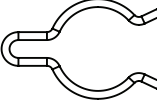
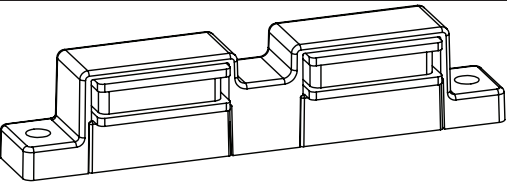
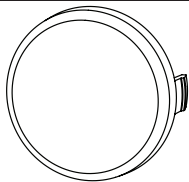
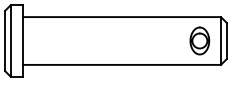
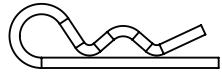
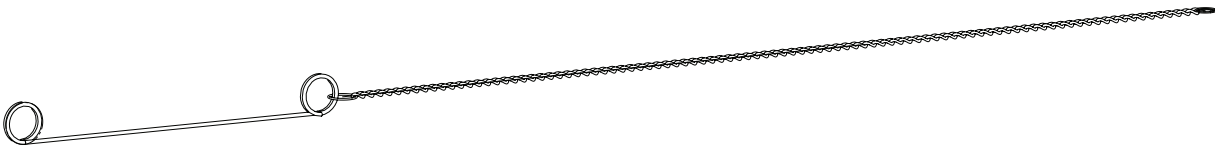
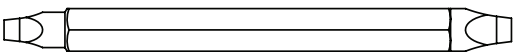
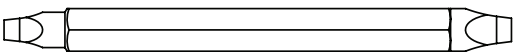
---

*Onward*  
MANUFACTURING COMPANY  
SINCE 1906  
585 KUMPF DRIVE LIMITED  
WATERLOO, ONTARIO, CANADA  
N2V 1K3

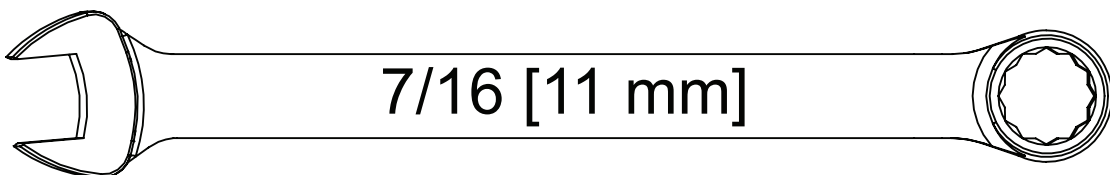
info@omcbbq.com  
1-800-265-2150

50084-R70 REV A 12/20

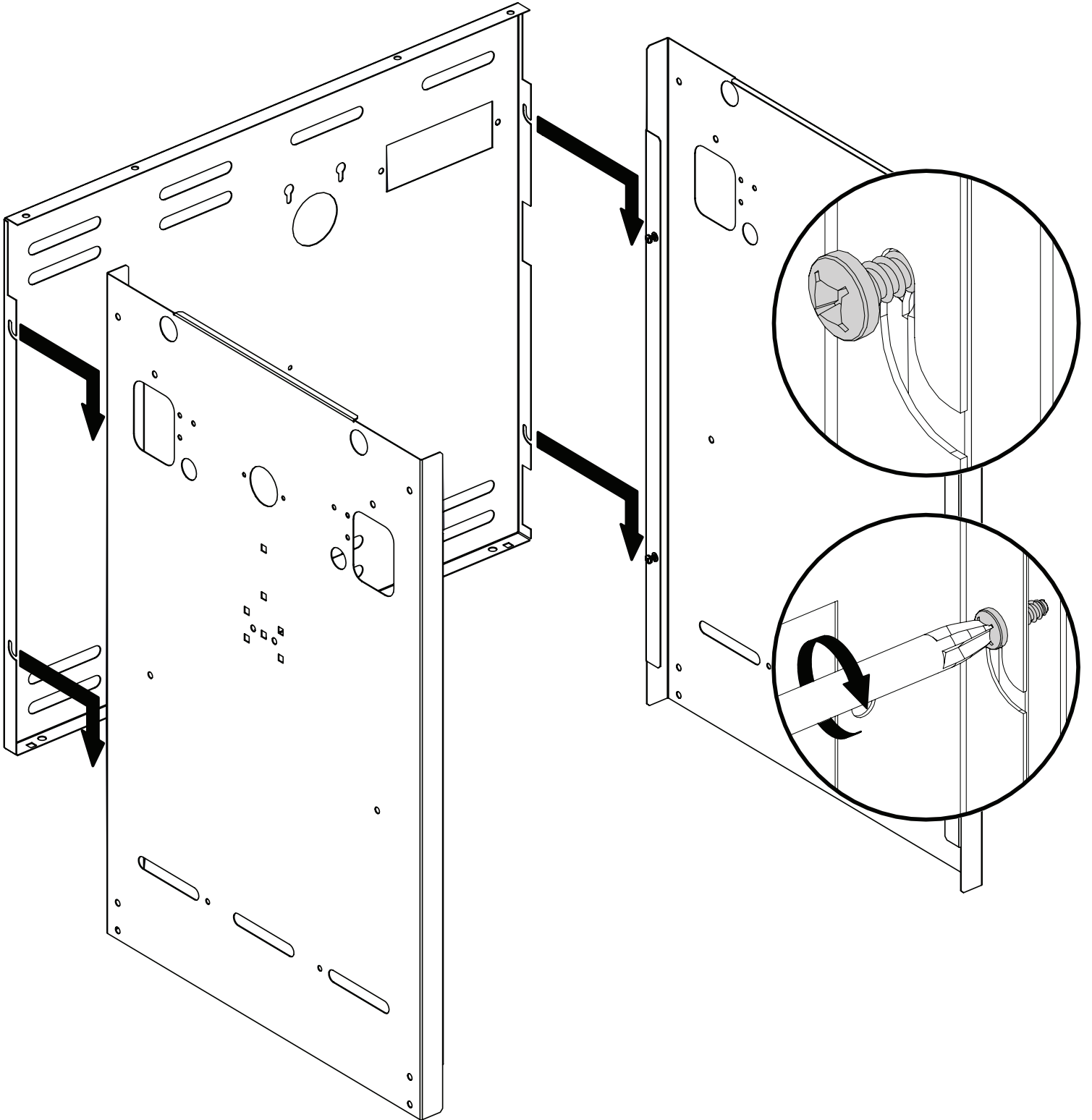
**HARDWARE INCLUDED / MATERIAL INCLUS**

|   |  |   |           |   |     |
|---|--|---|-----------|---|-----|
| S21124  |     | (4)   | Y-29304   |    | (2) |
| Y-12865   |     | (22)  | Y-11793   |    | (2) |
| Y-11551   |     | (2)   | Y-12124   |    | (2) |
| 56039-211A  |     | (1)   | Y-11230   |    | (1) |
| Y-12229   |    | (1)   | 32001-151 |   | (4) |
| S21235  |   | (2)   | S21233    |  | (2) |
| 20005-000   |  |   |           |   | (1) |
|  <p>#3 ROBERTSON</p> |  |  <p>#2 ROBERTSON</p> |           |   |     |

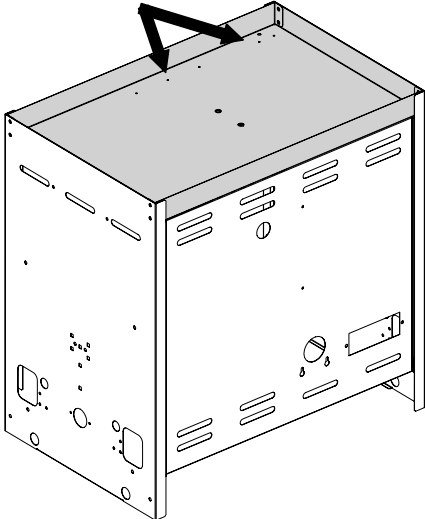
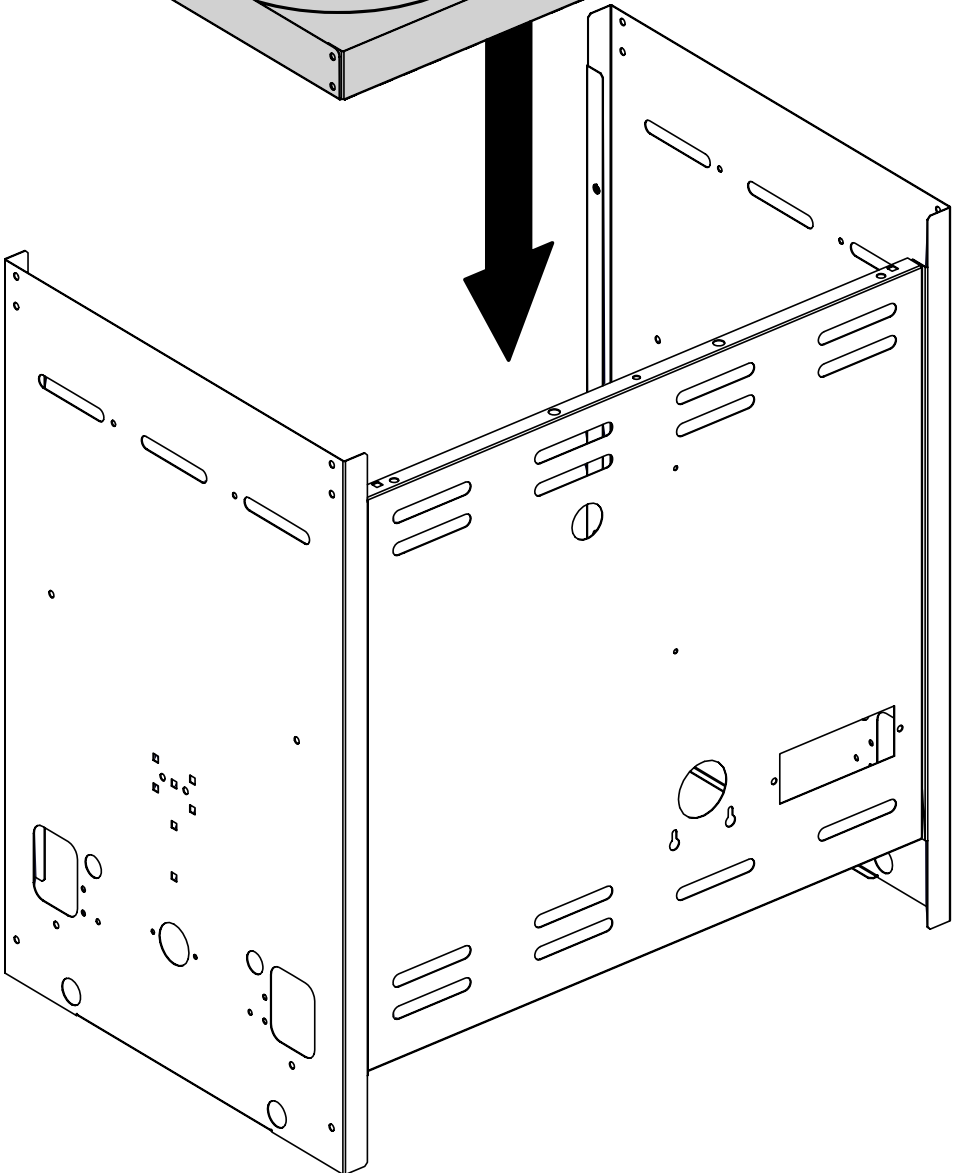
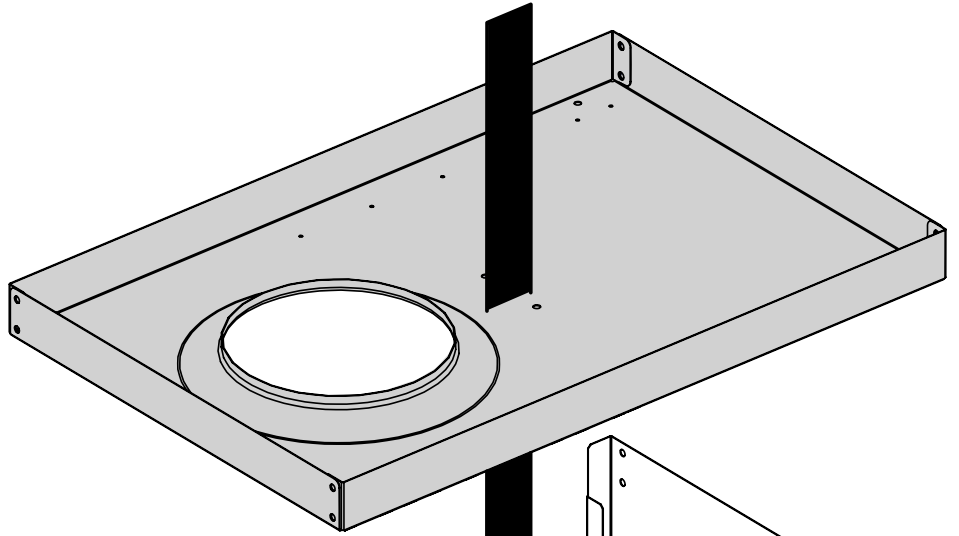
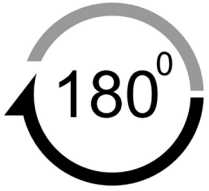
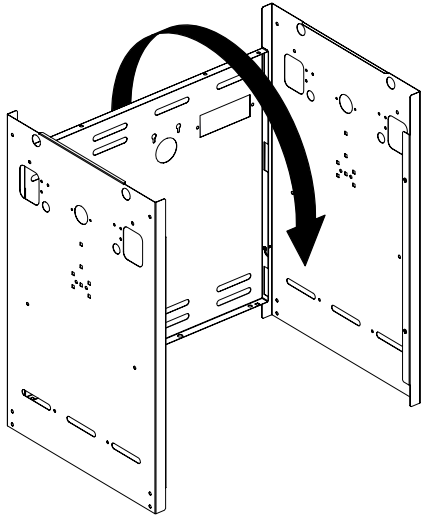
**TOOLS REQUIRED / OUTILS NECESSAIRES**



1

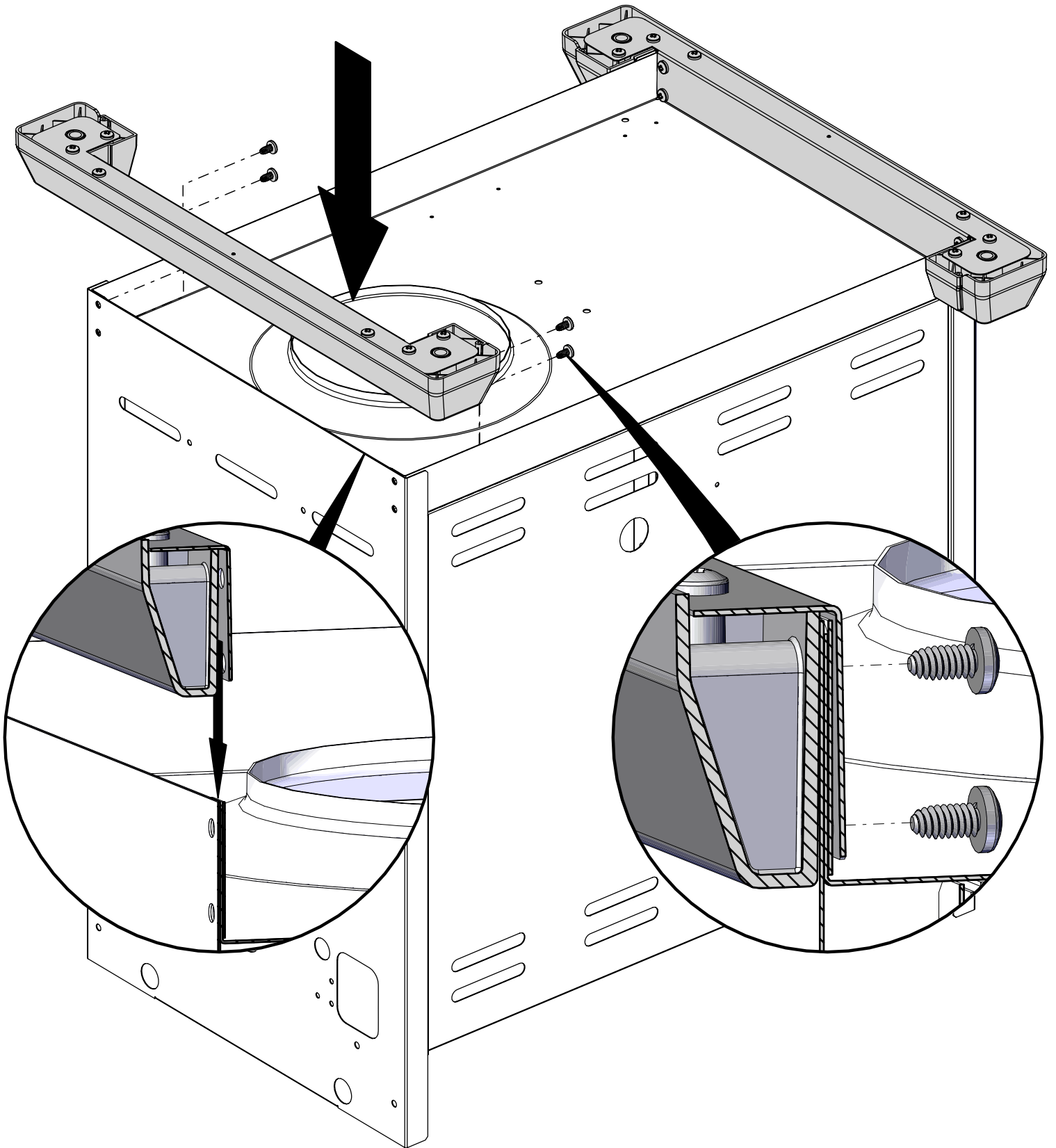
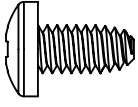


2



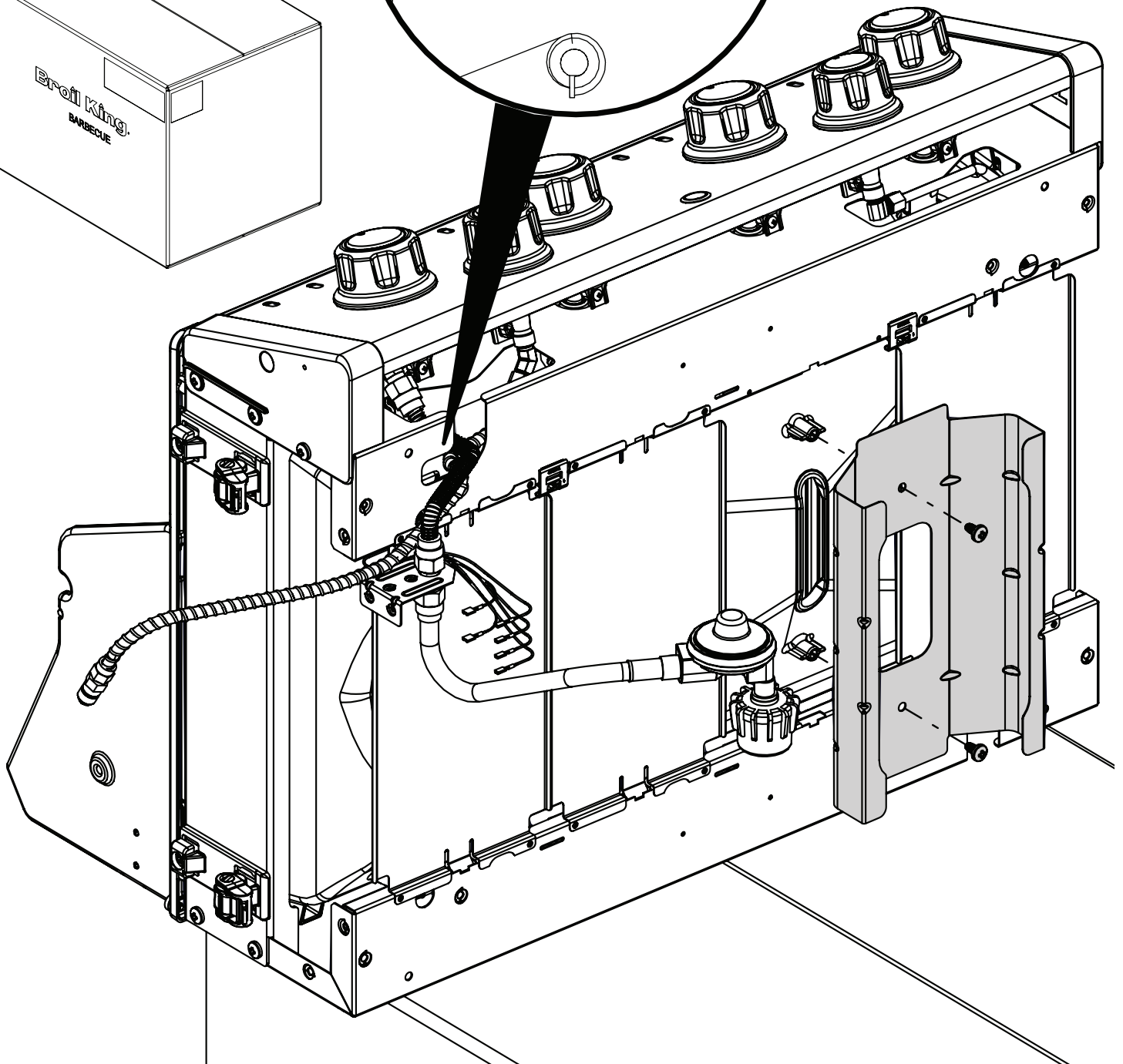
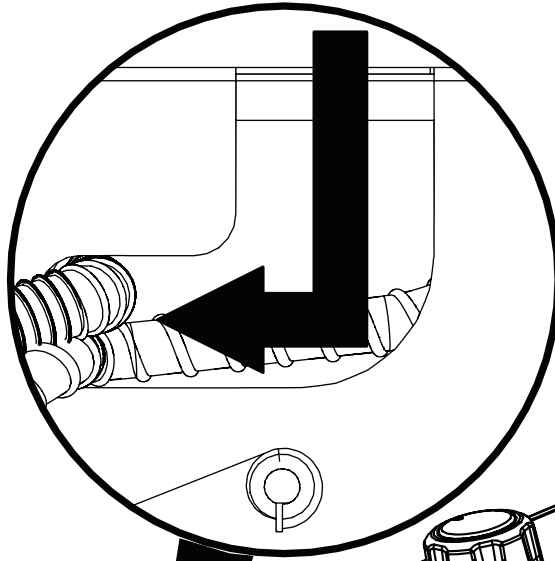
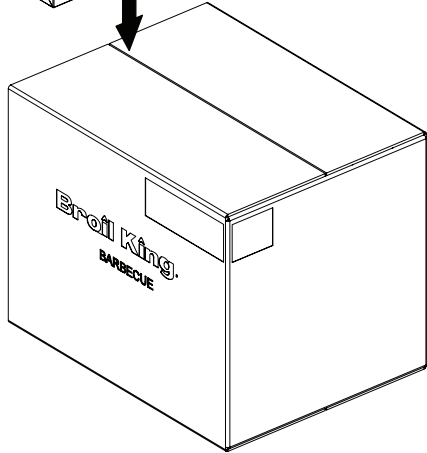
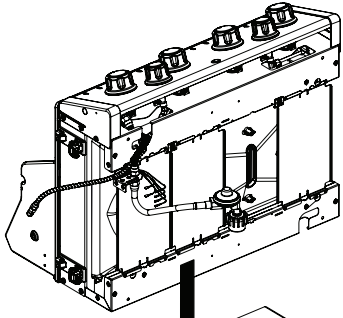
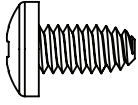
3

(8)

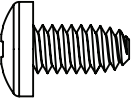


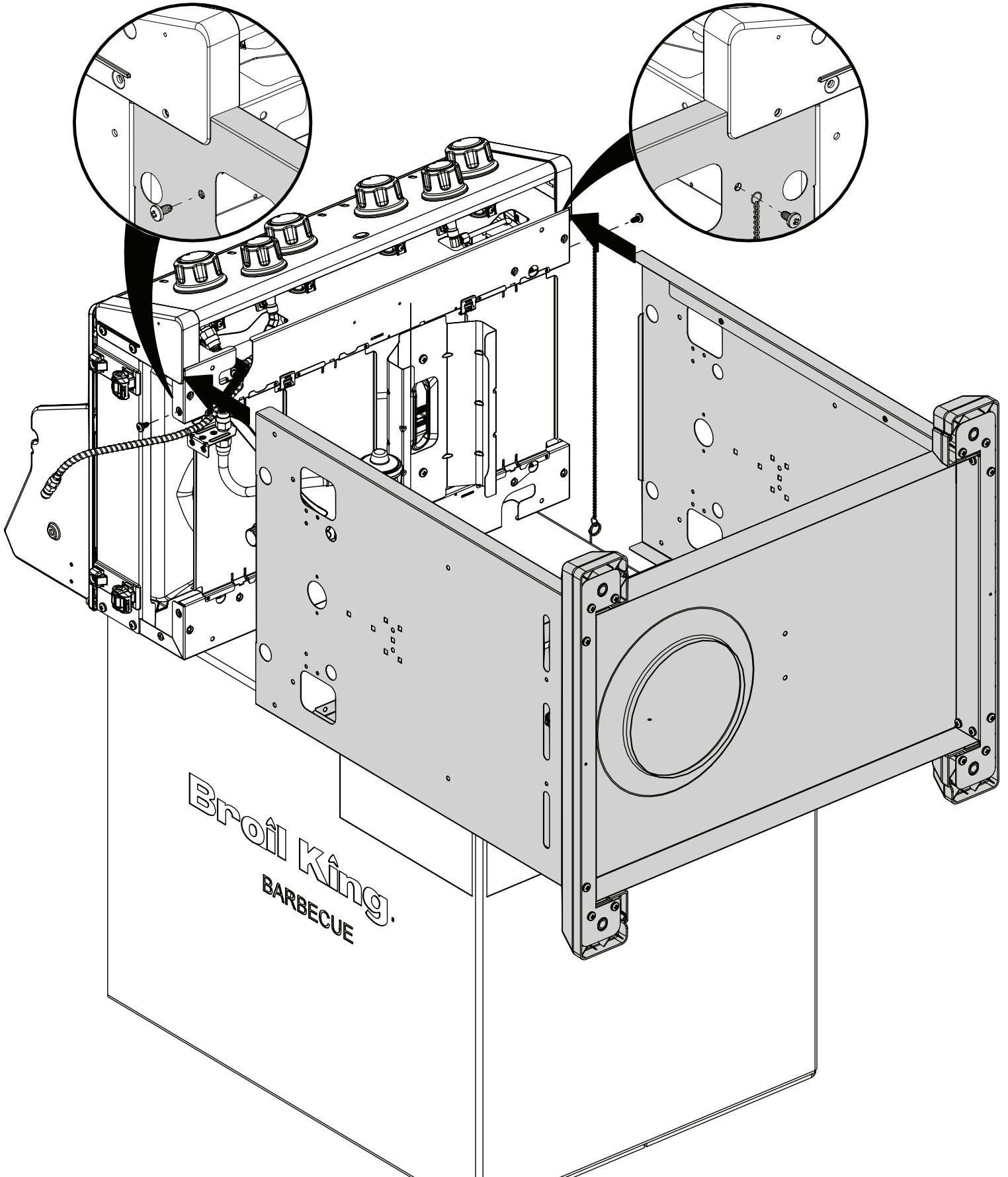
4

(2)

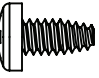


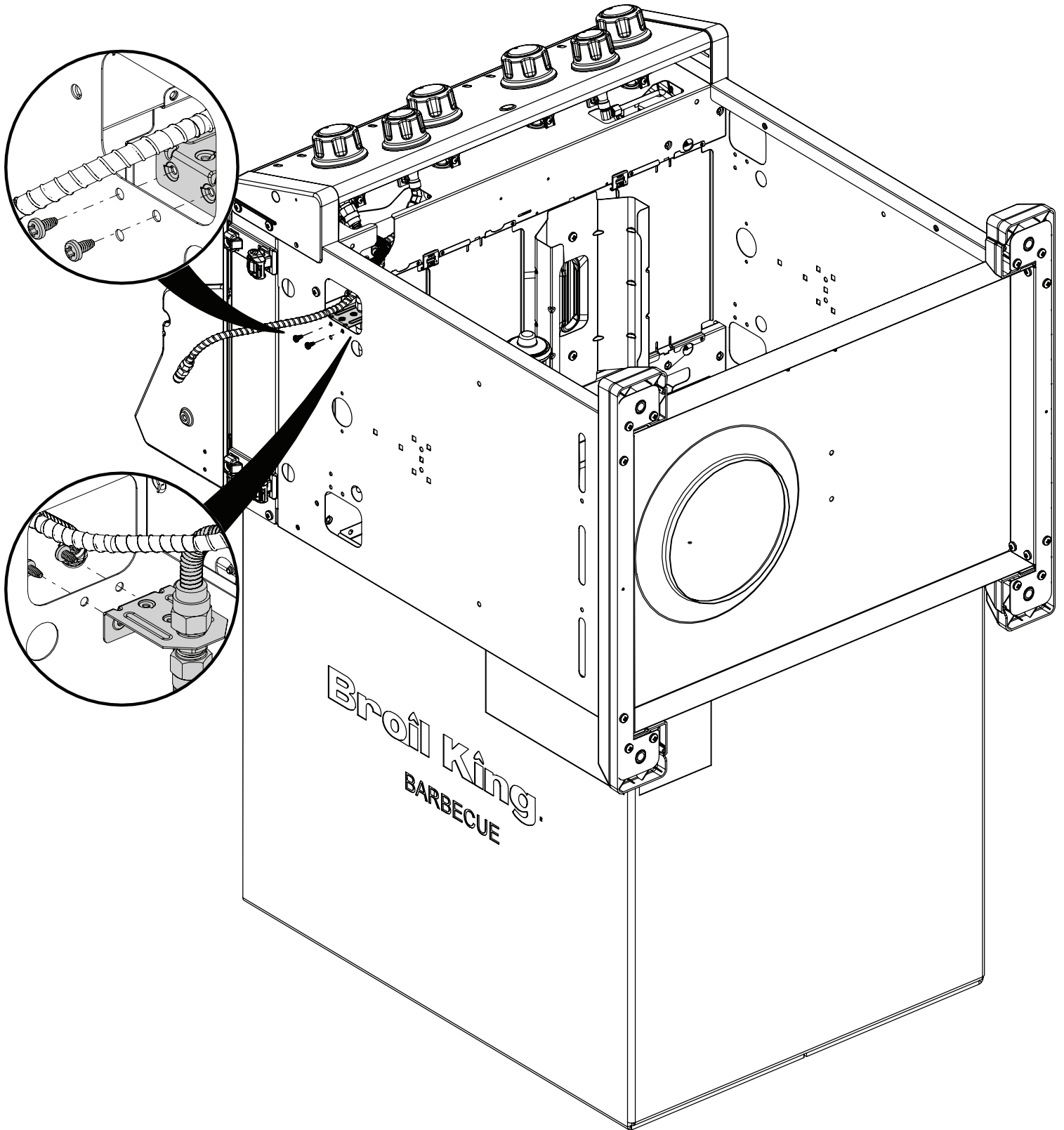
5

(2)  (1)



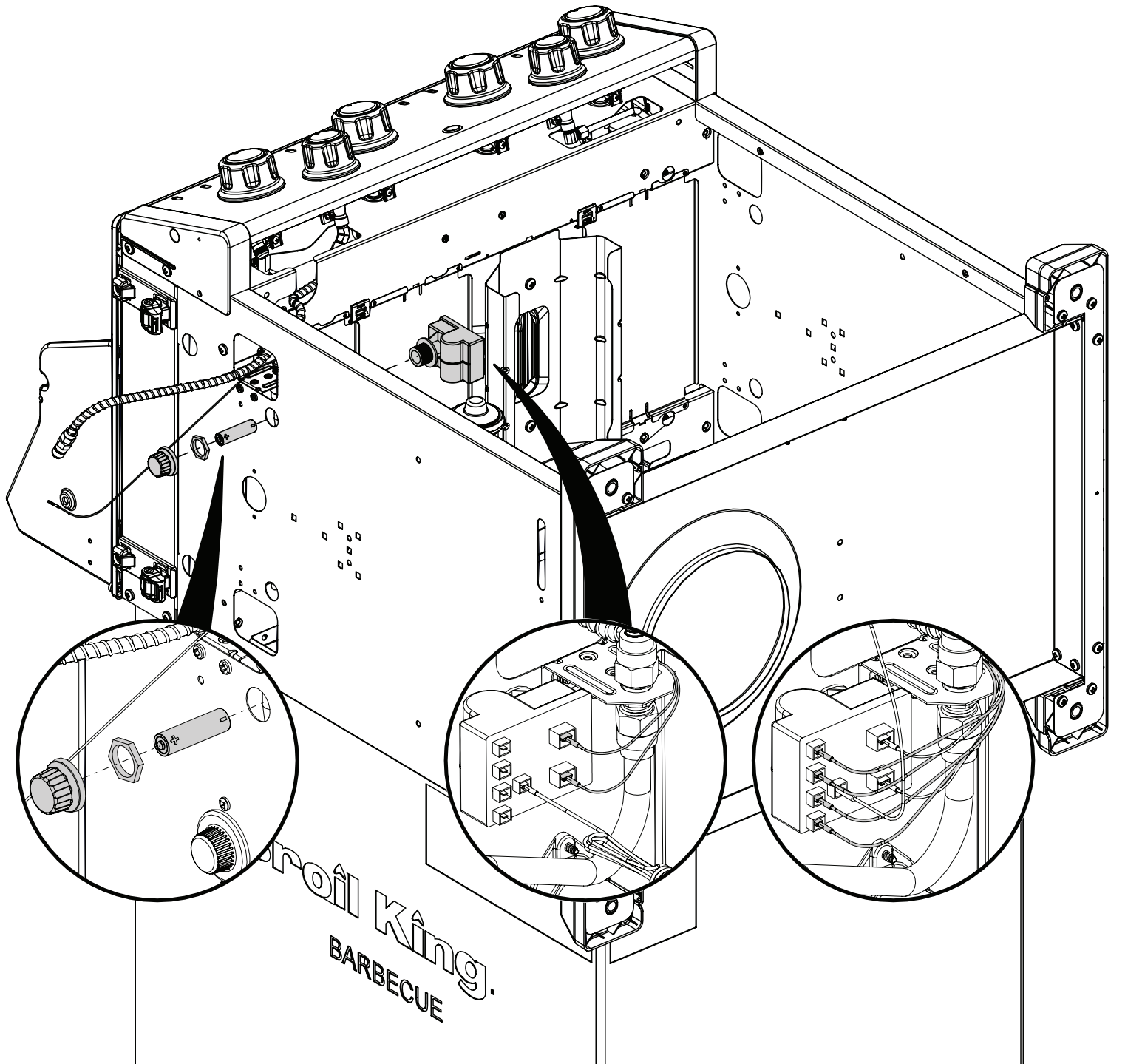
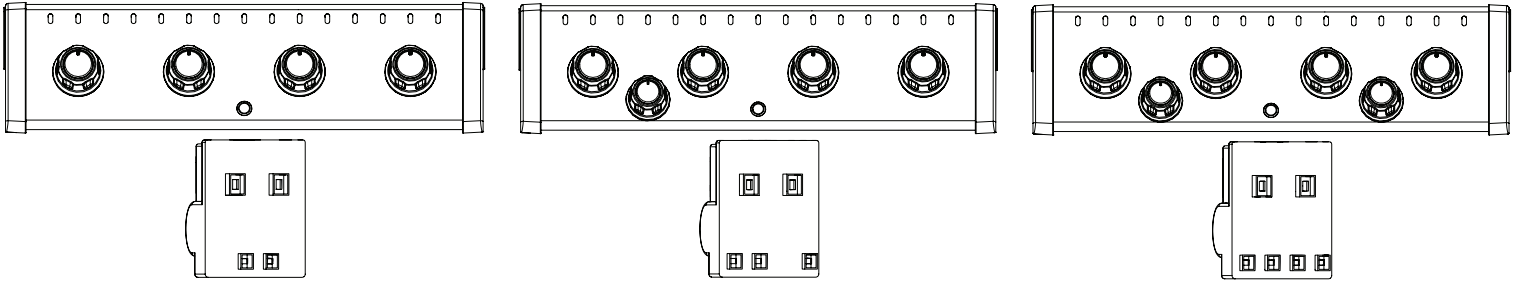
6

(2) 





7

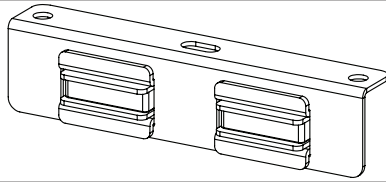


Proil King.  
BARBECUE

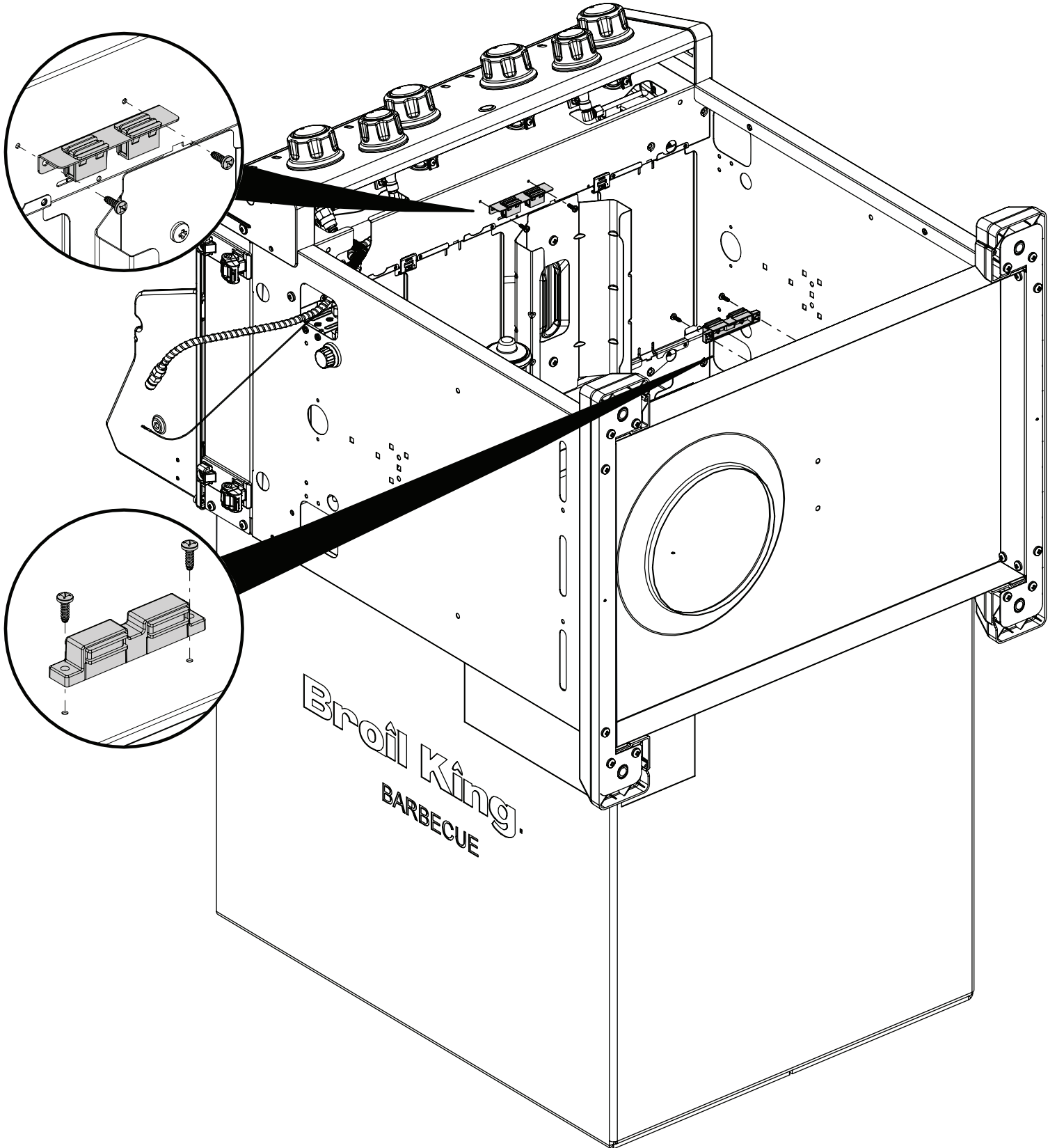
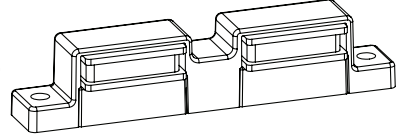
8

(4) 

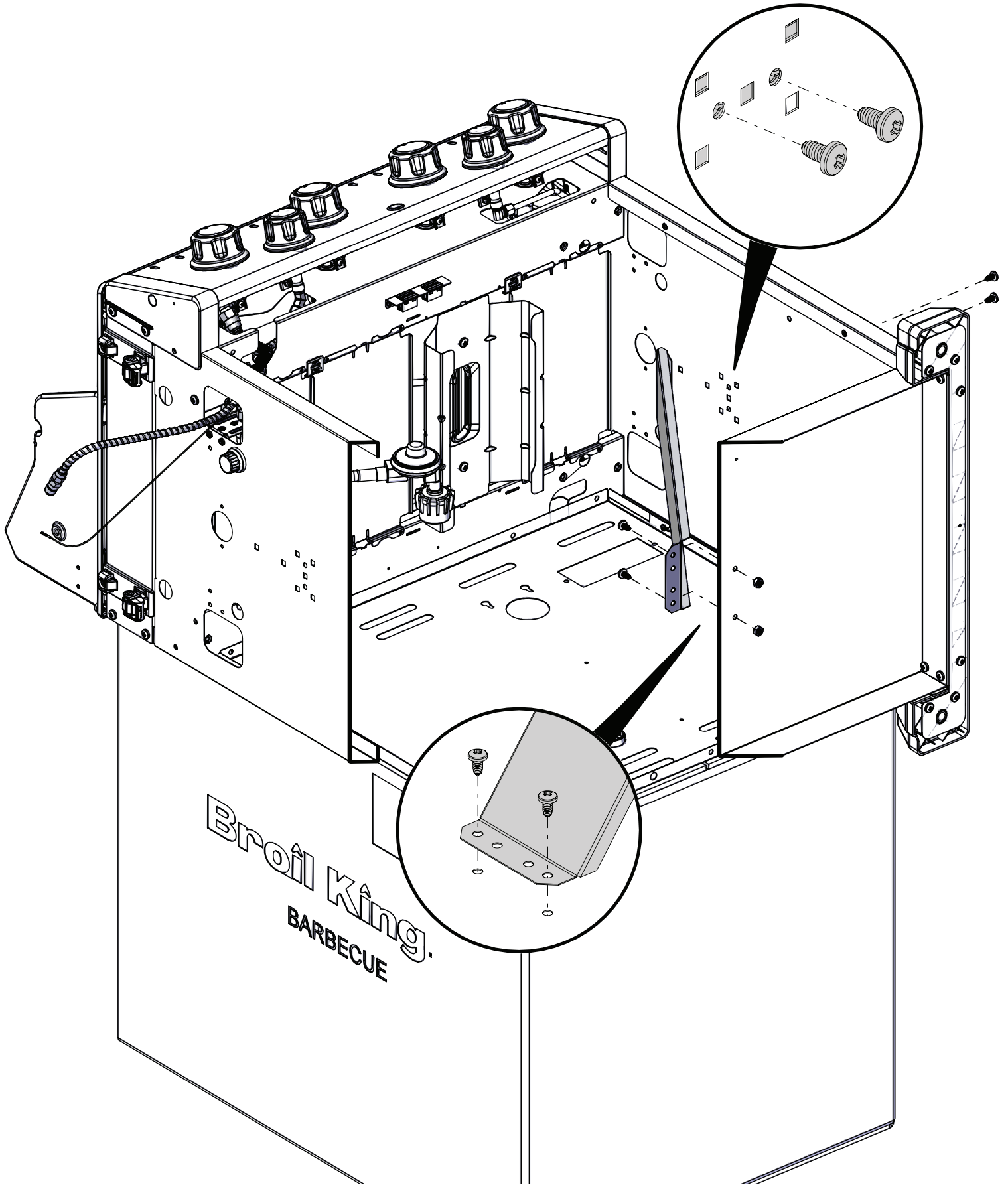
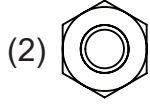
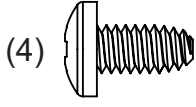
(1)



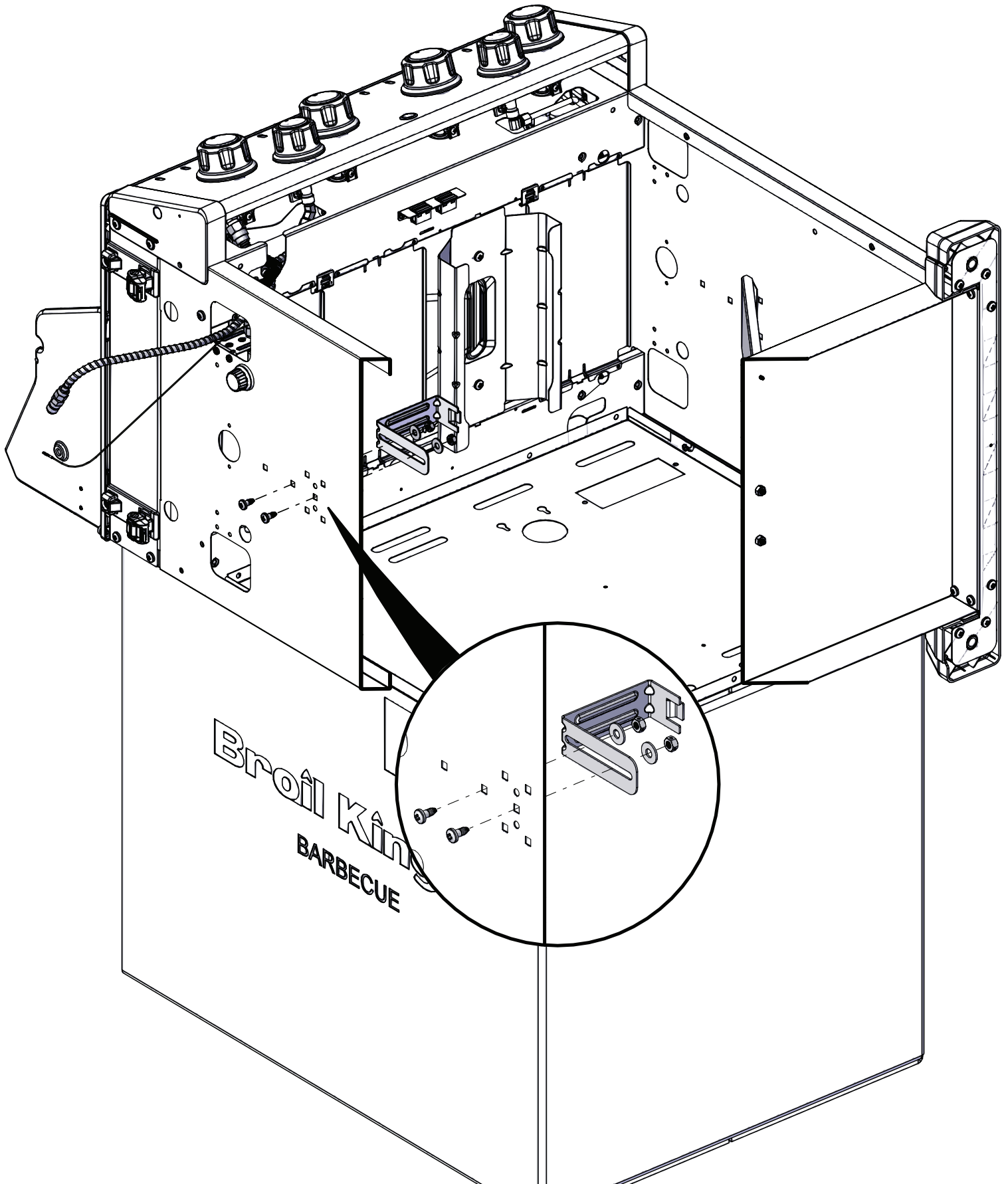
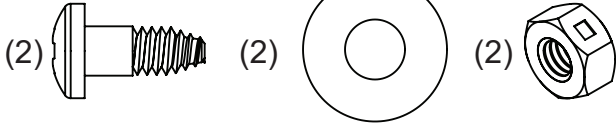
(1)



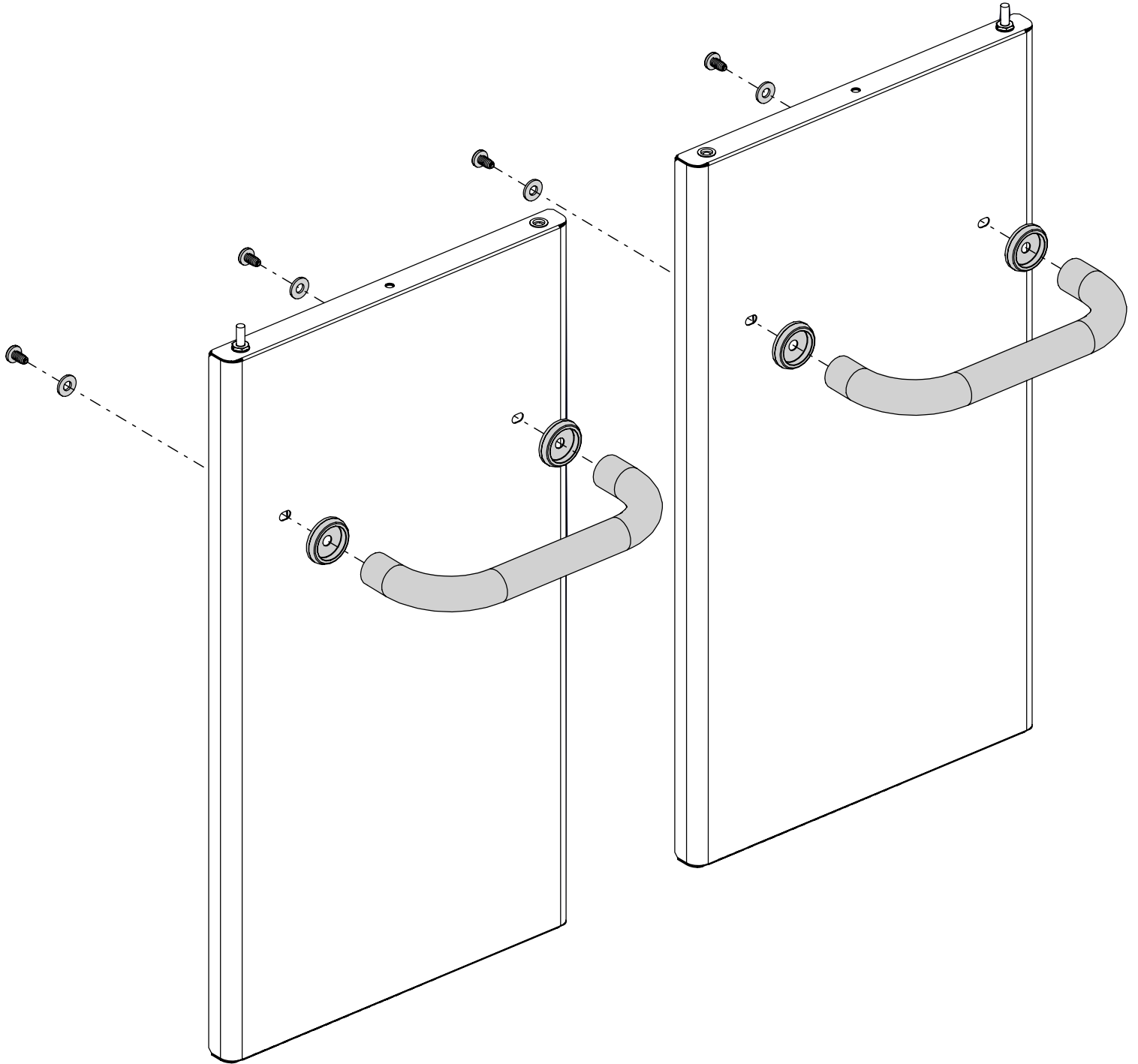
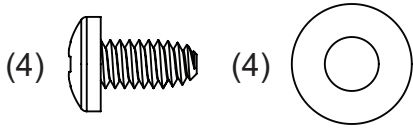
9



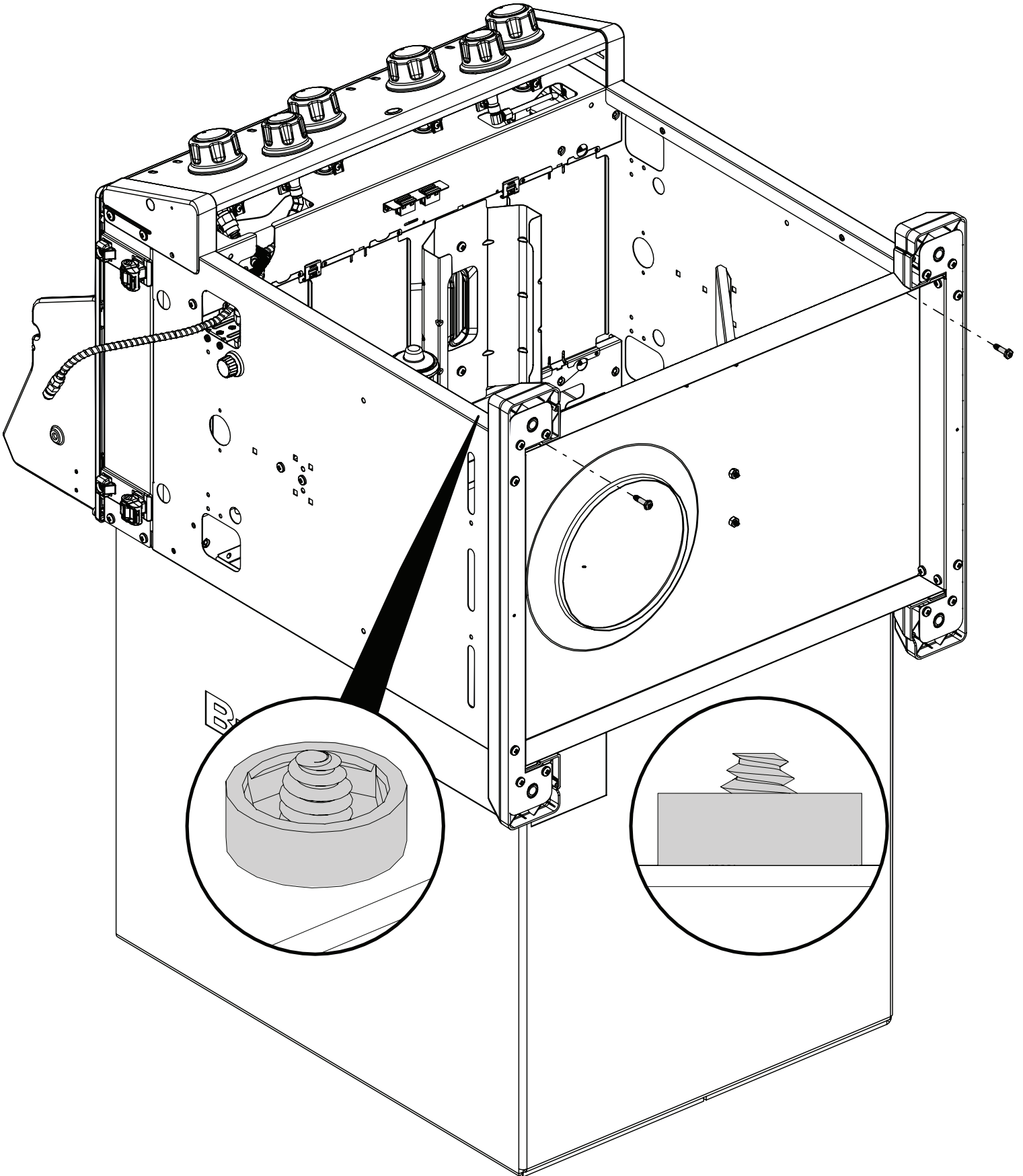
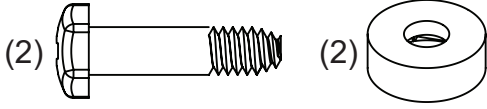
# 10

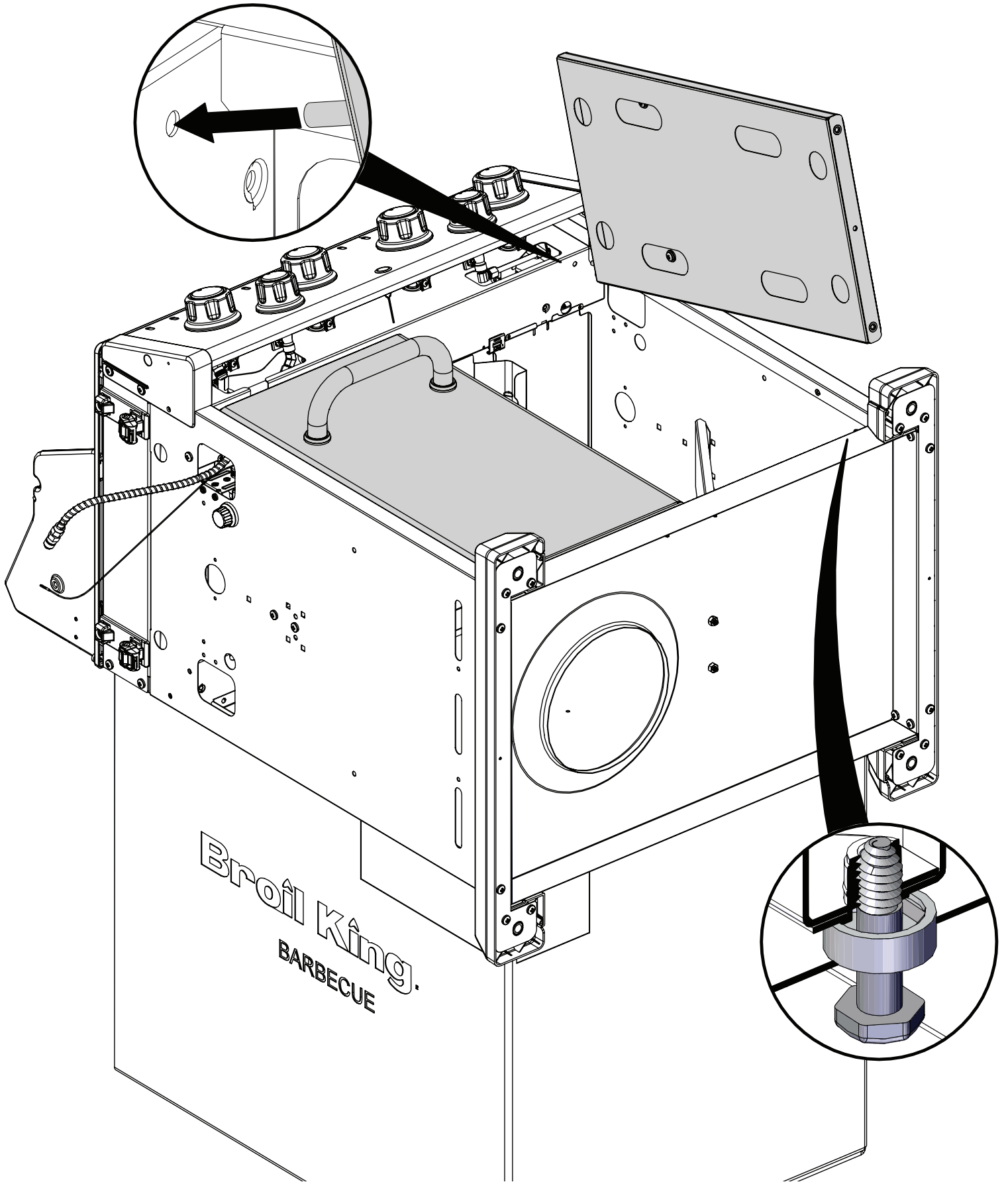


# 11



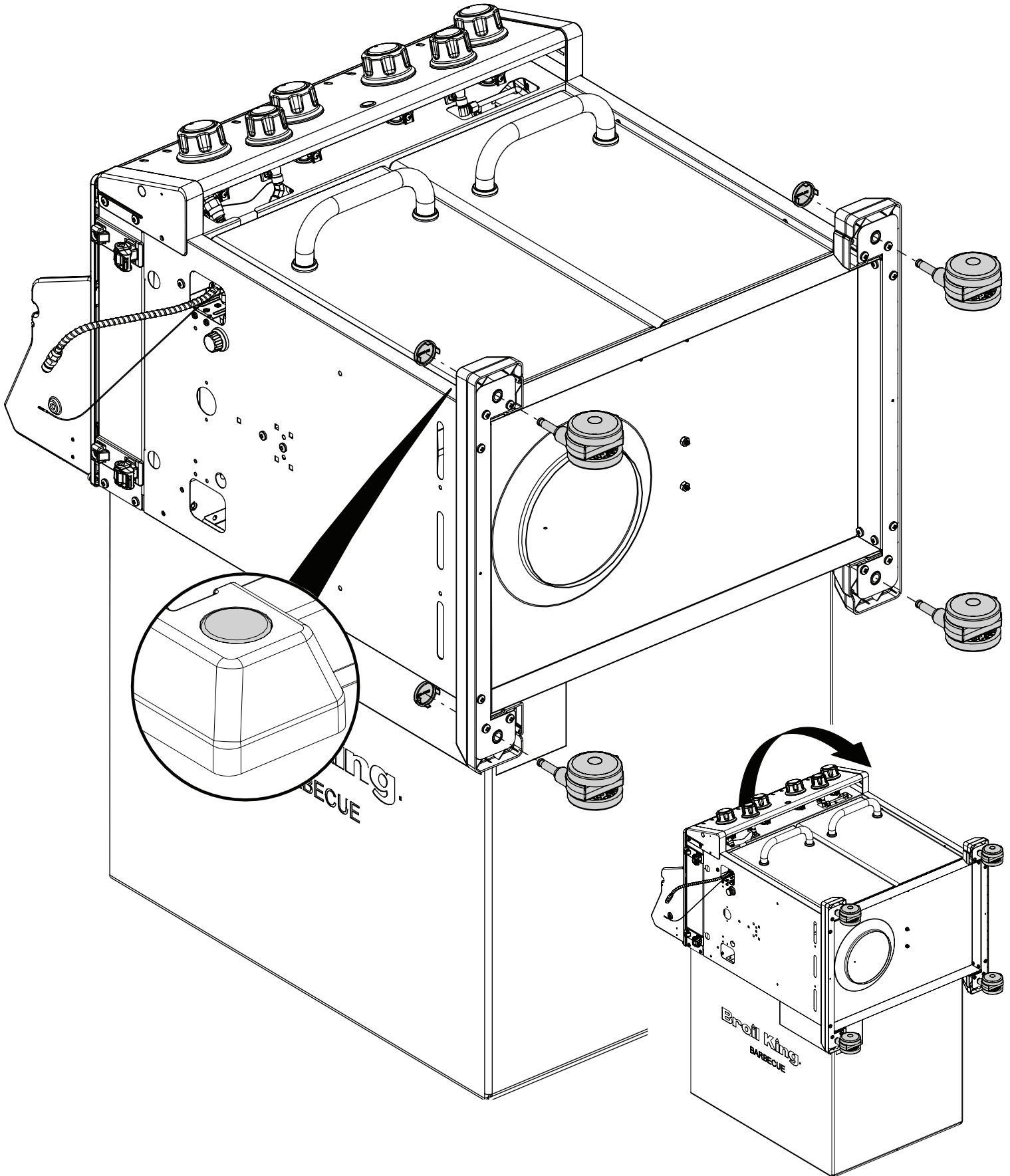
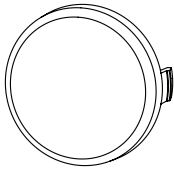
# 12





# 14

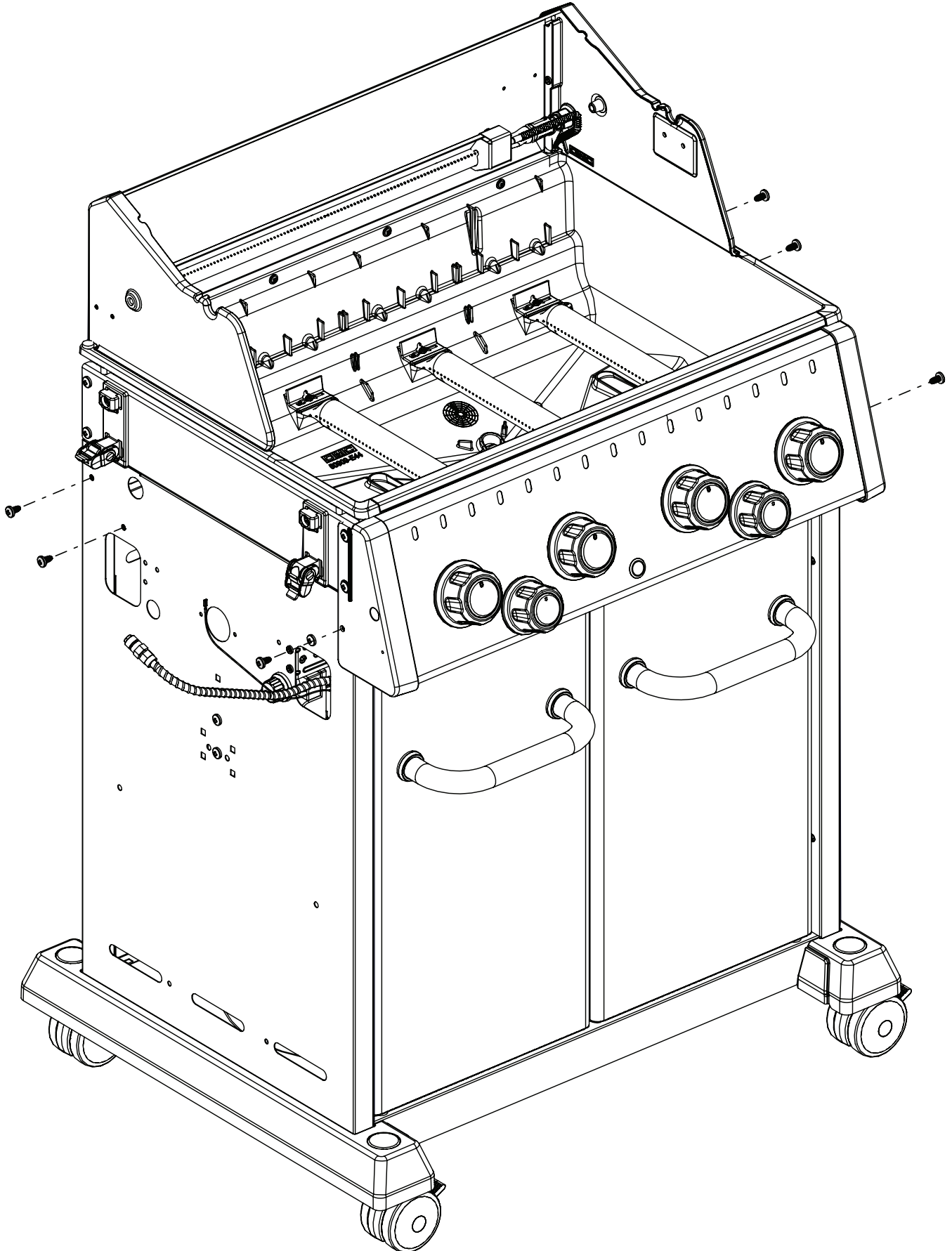
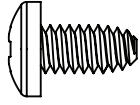
(4)



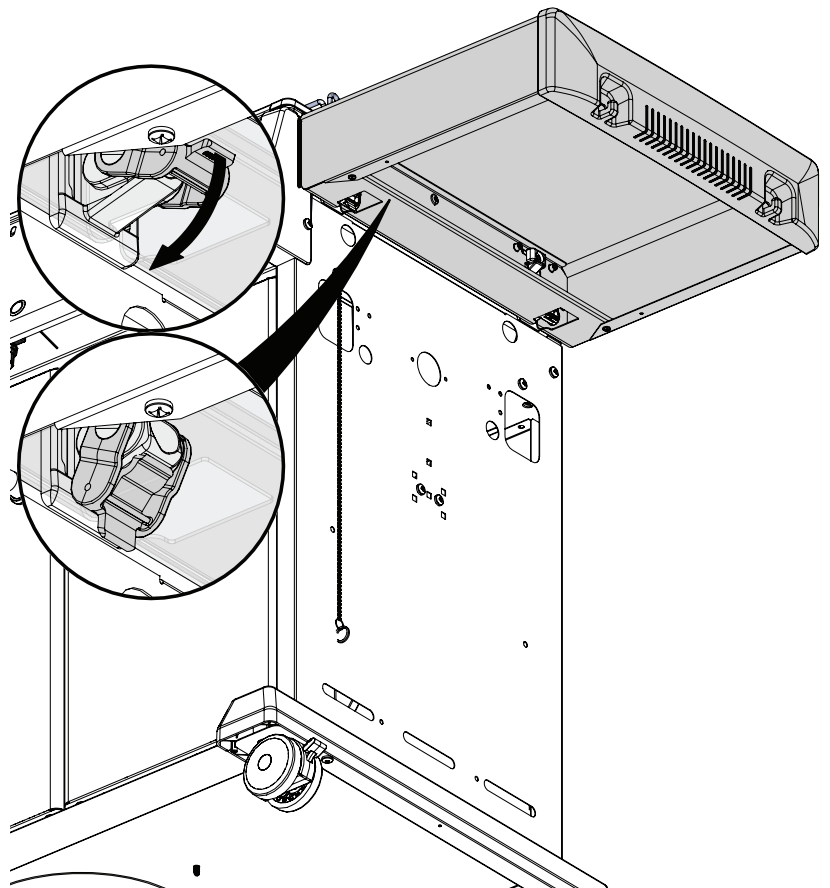
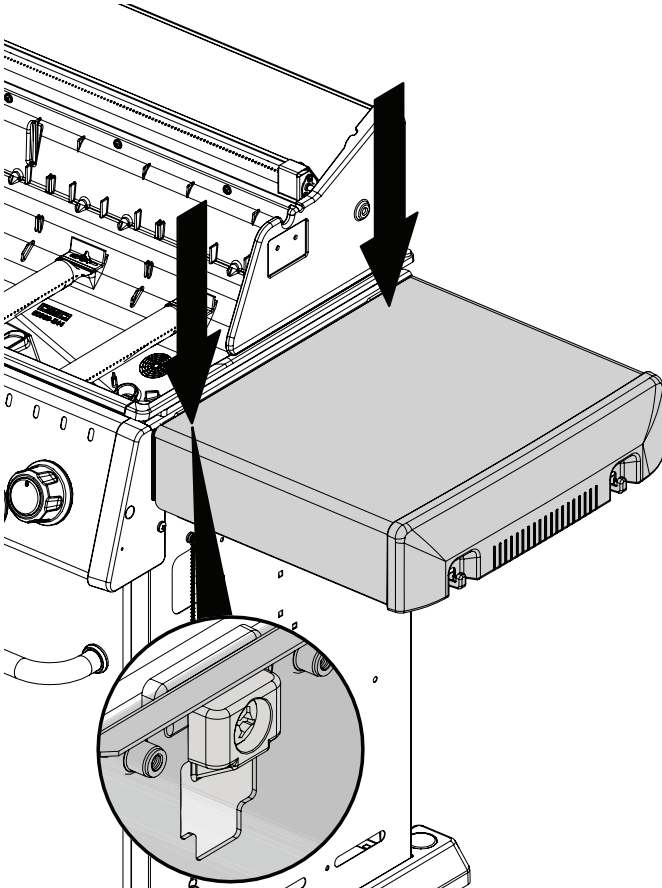
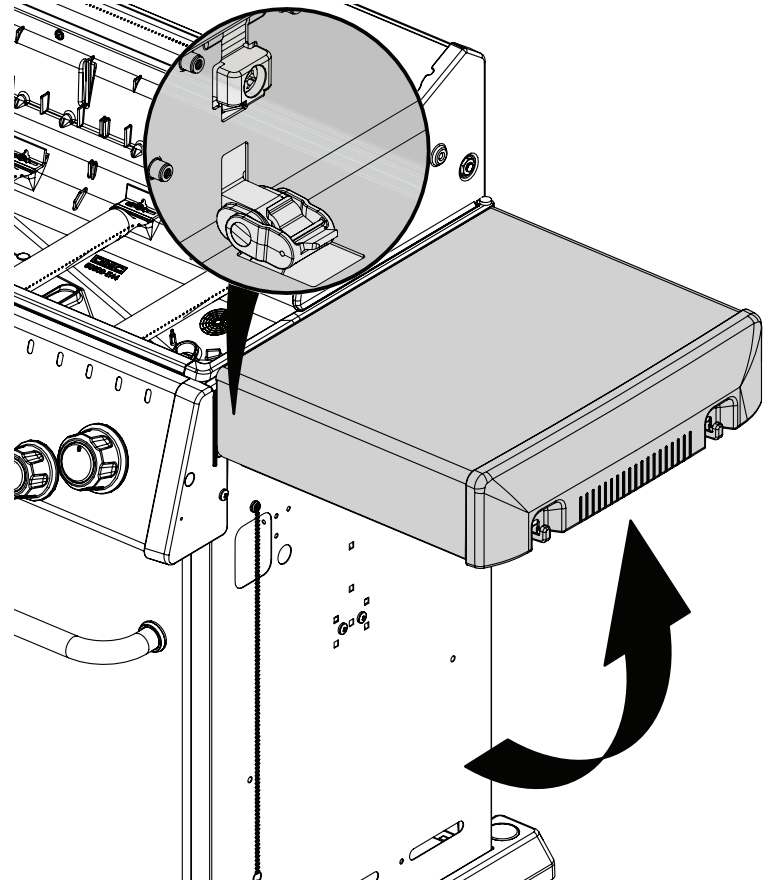
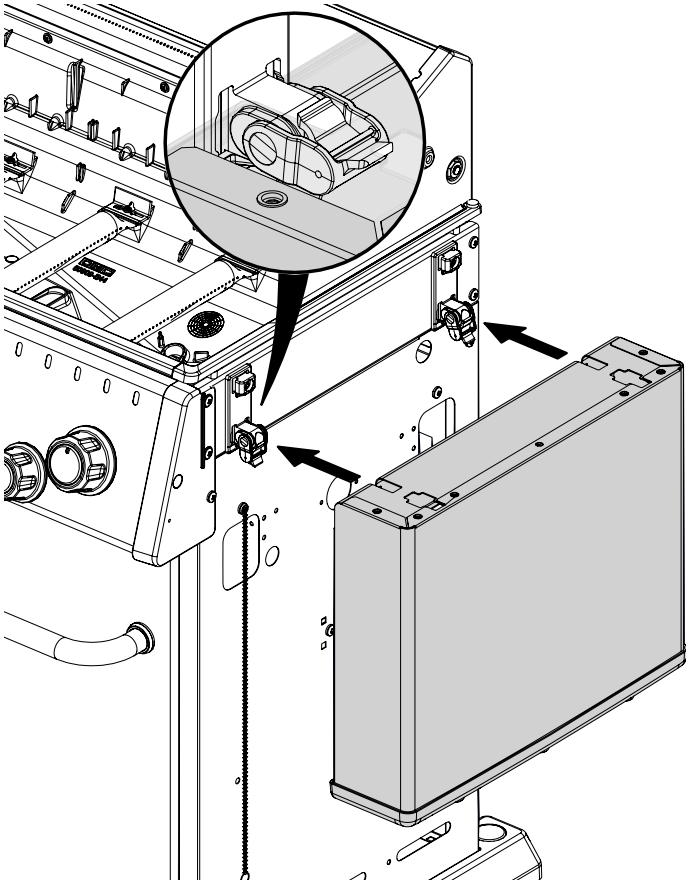


# 15

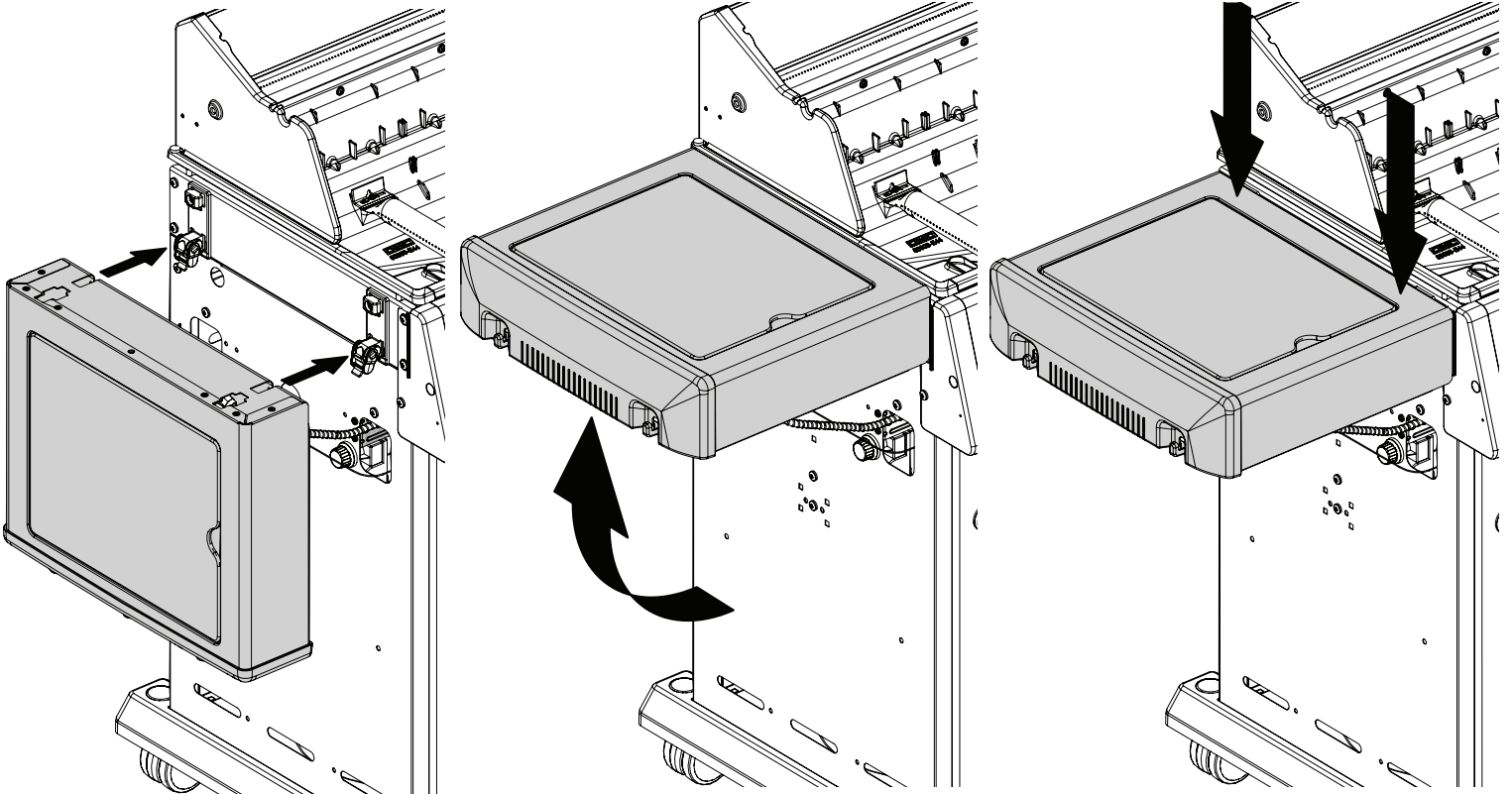
(6)



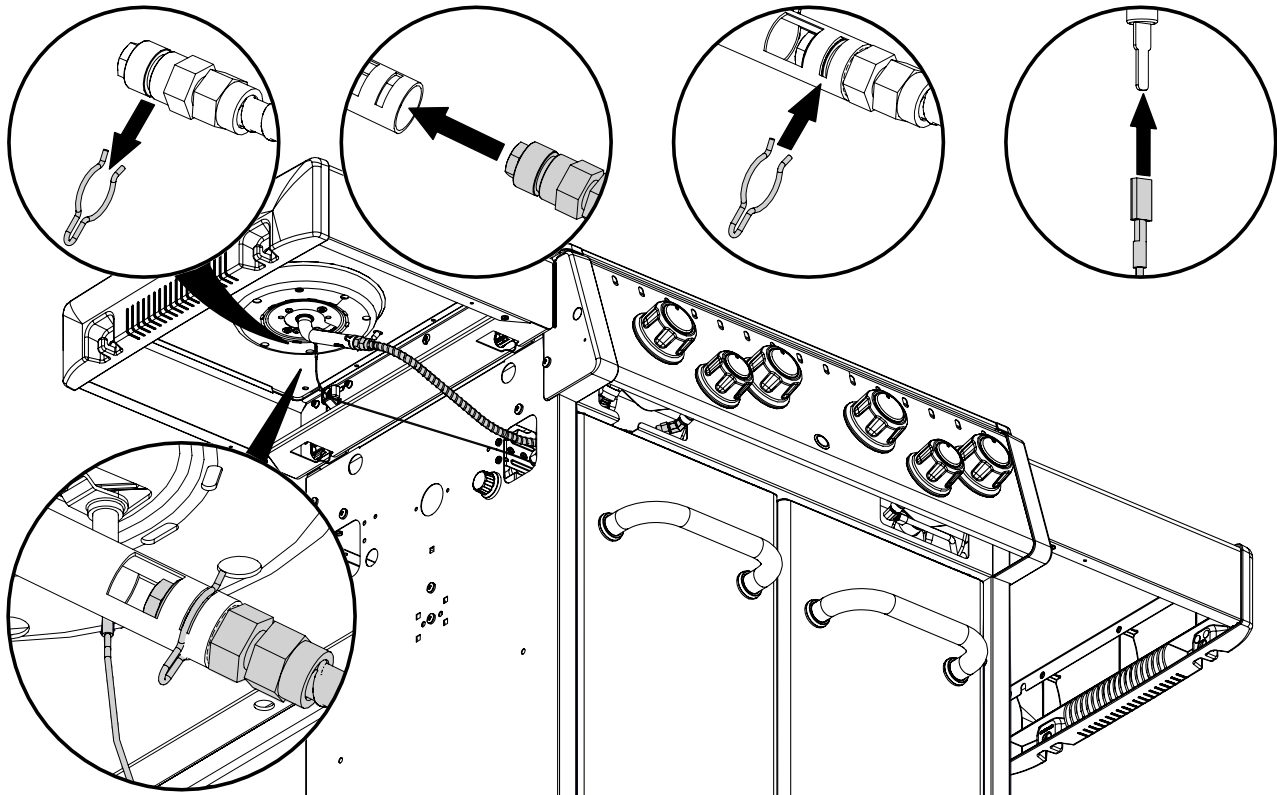
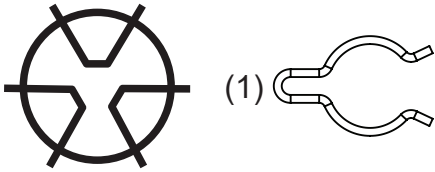
16



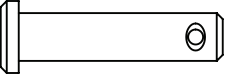
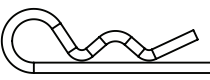
# 17

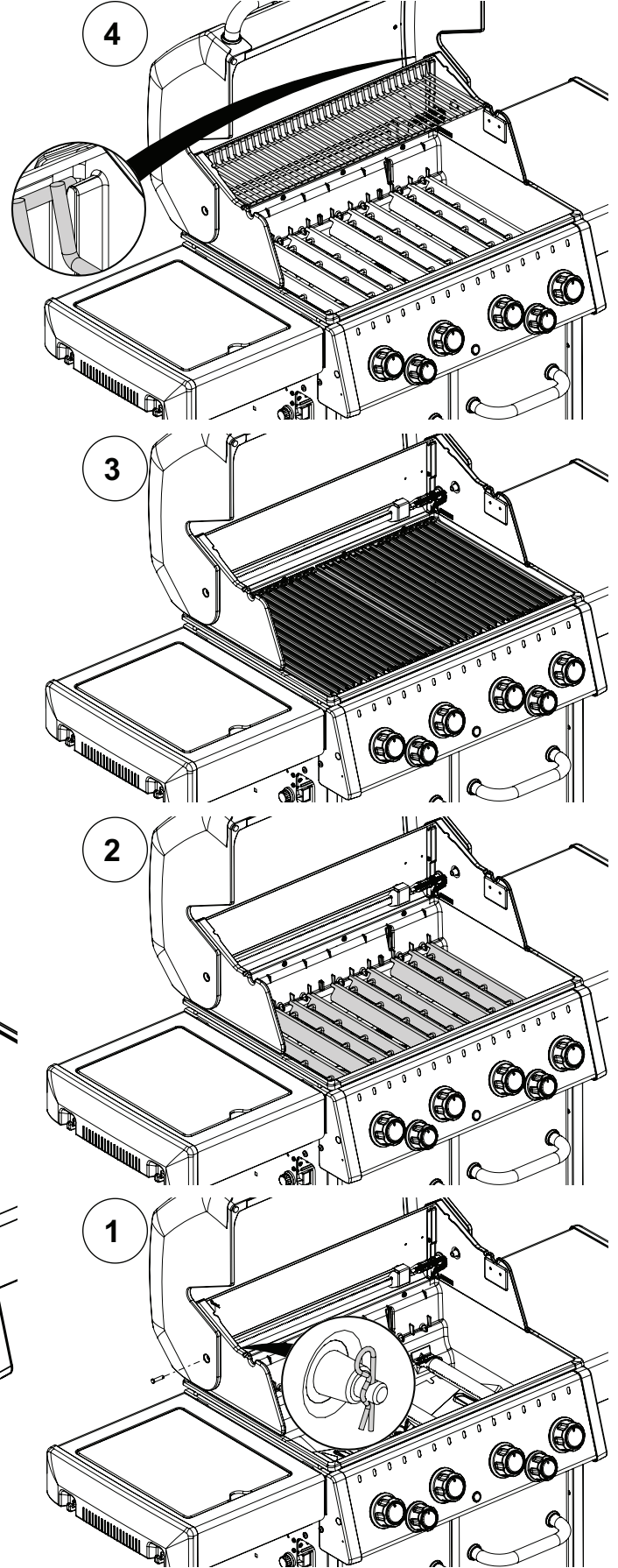
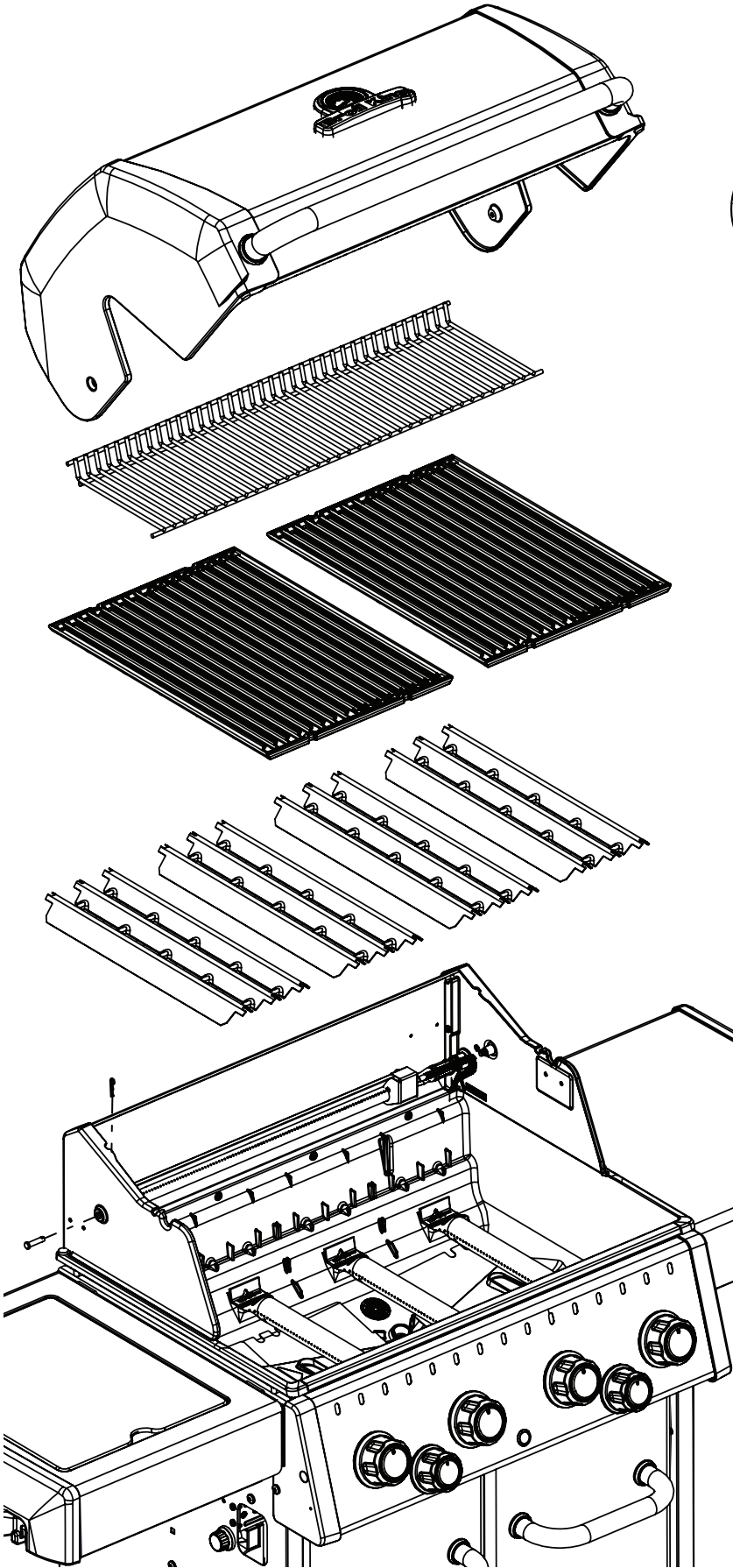


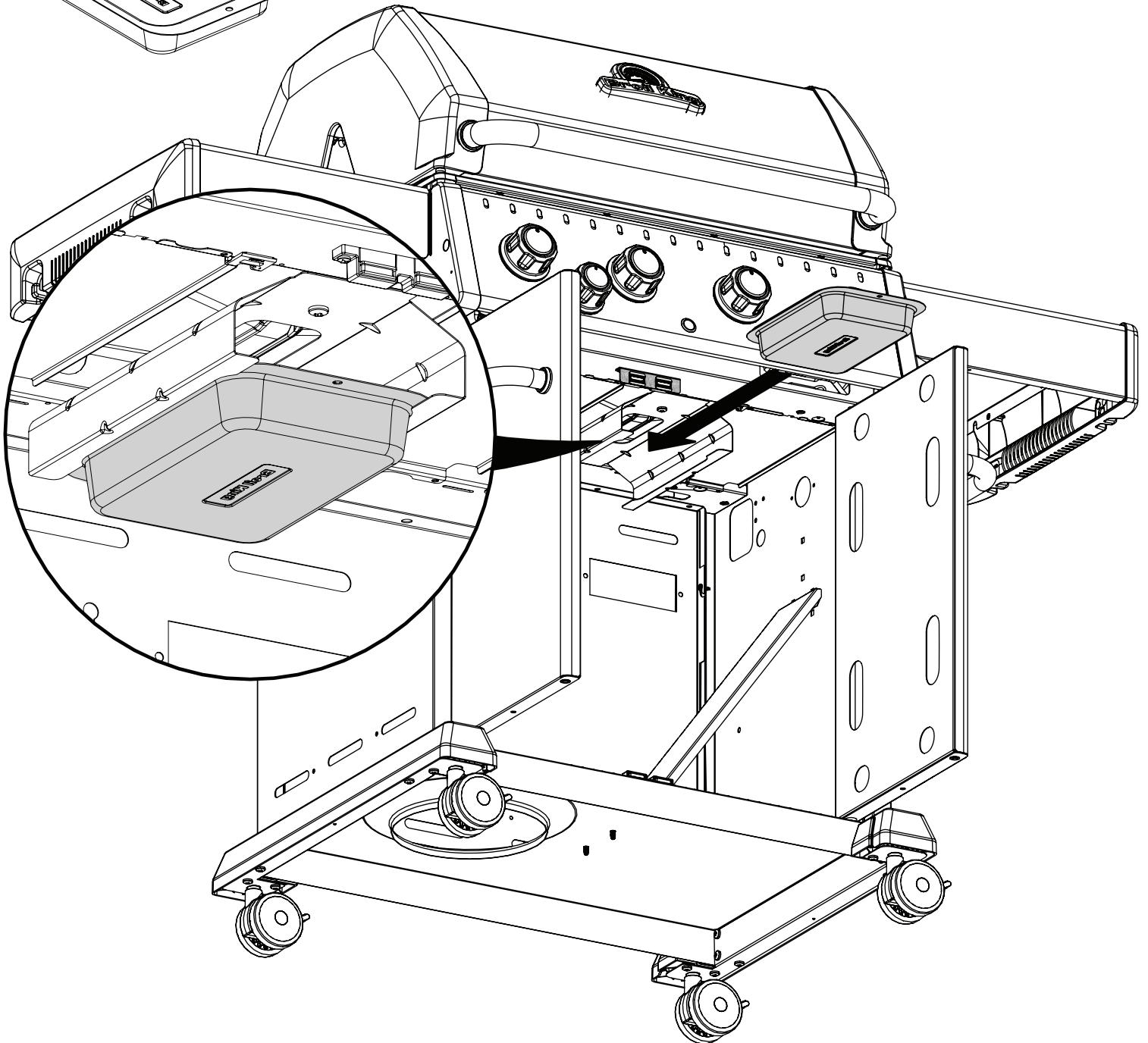
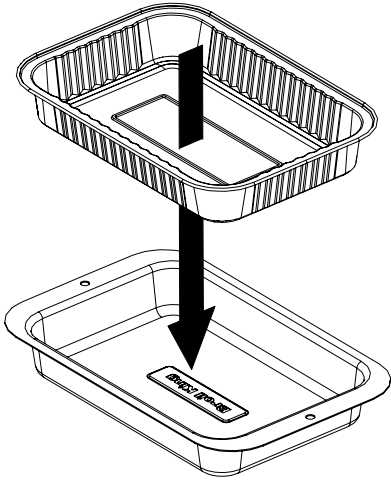
# 18



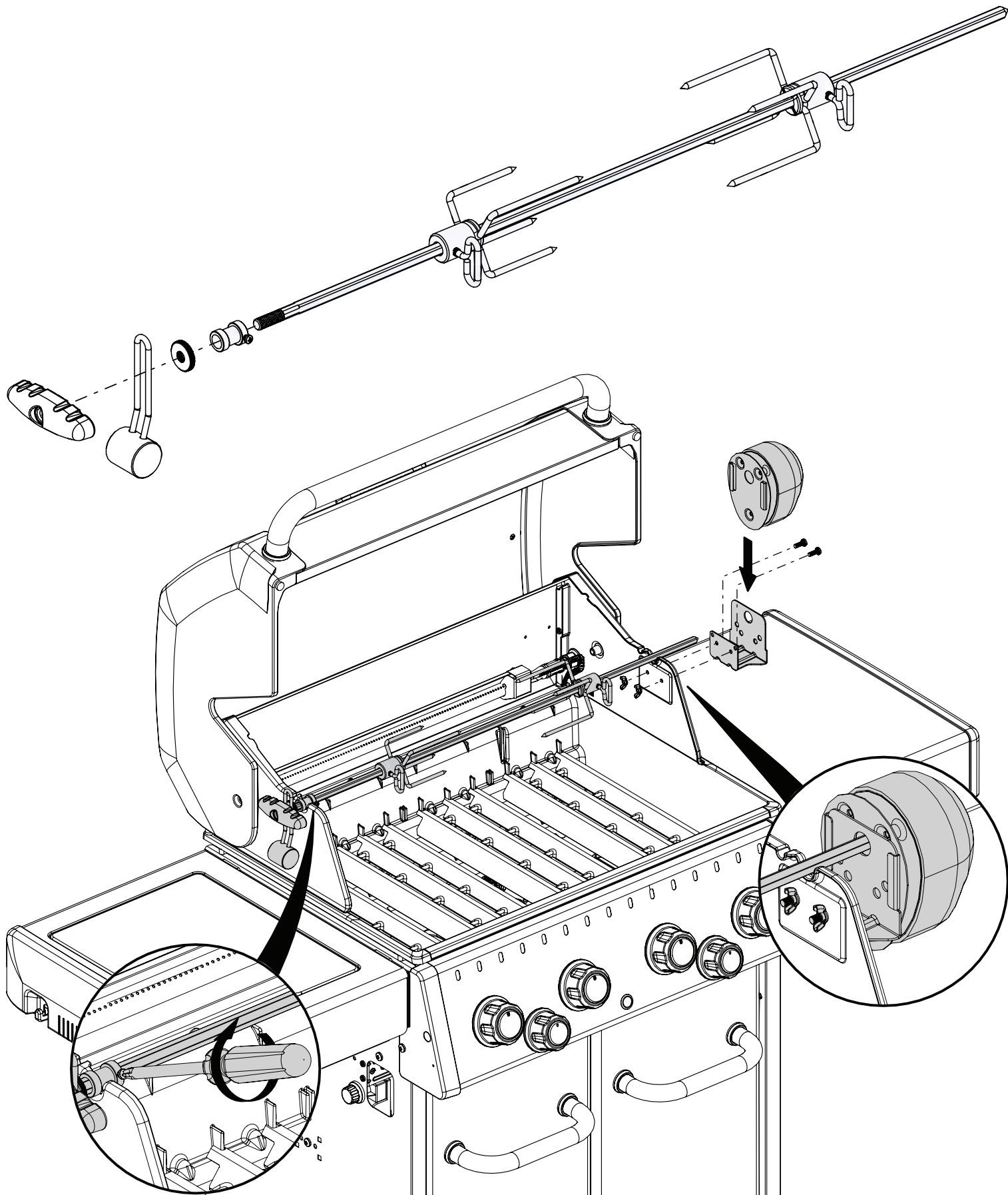
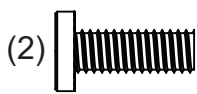
# 19

(2)  (2) 

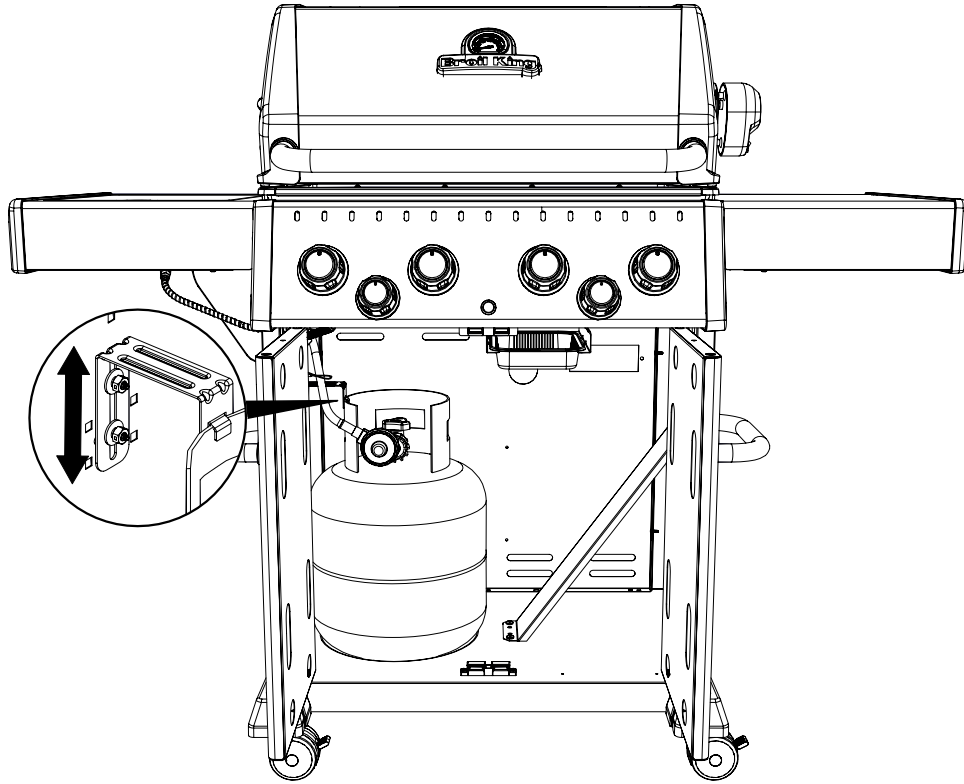




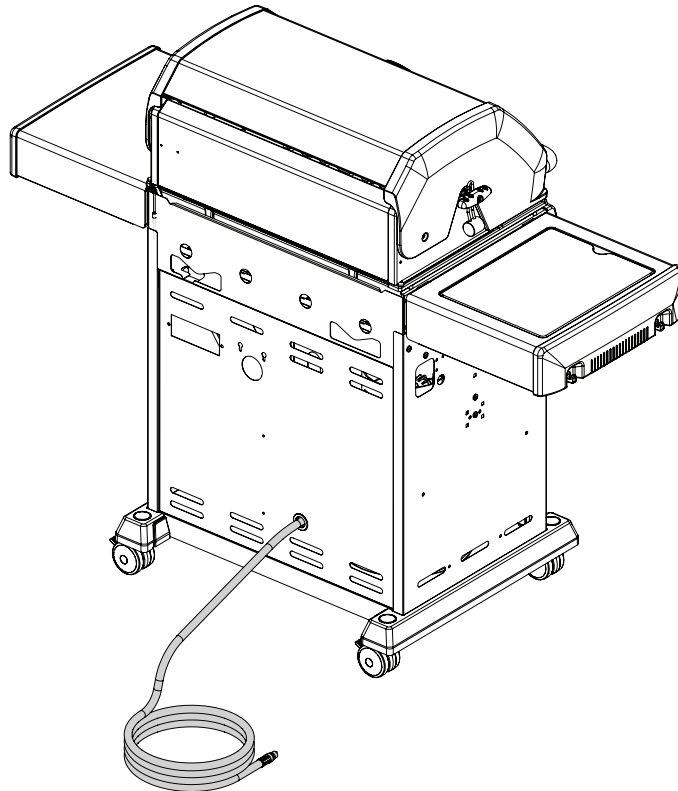
21



22



23



PARTS LIST / LISTE DES PIECES

| KEY # | ITEM #       | DESCRIPTION           | 8652-54 | 8652-64 | 8652-84 | 8653-54 | 8653-64 | 8653-84 |
|-------|--------------|-----------------------|---------|---------|---------|---------|---------|---------|
|       |              |                       | 8652-57 | 8652-67 | 8652-87 | 8653-57 | 8653-67 | 8653-87 |
| 1     | 50909-E441   | CASTING BOTTOM        | 1       | 1       | 1       | 1       | 1       | 1       |
| 2     | 56005-801    | LID ASSEMBLY          | 1       | 1       | 1       | •       | •       | •       |
|       | 56005-804    | LID ASSEMBLY          | •       | •       | •       | 1       | 1       | 1       |
| 3     | 56104-831    | FIRE BOX END CAP - LH | 1       | 1       | 1       | 1       | 1       | 1       |
| 4     | 56104-811    | FIRE BOX END CAP - RH | 1       | 1       | 1       | 1       | 1       | 1       |
| 5     | 52049-042    | HEAT SHIELD           | 4       | 4       | 4       | 4       | 4       | 4       |
| 7     | Y-11544S     | SCREW - BURNER        | 4       | 4       | 4       | 4       | 4       | 4       |
| 8     | S21242       | BURNER CLIP           | 4       | 4       | 4       | 4       | 4       | 4       |
| 12    | 52315-151    | HOOD PANEL            | 1       | 1       | 1       | 1       | 1       | 1       |
| 13    | 52035-914    | FIRE BOX FRONT TRIM   | 1       | 1       | 1       | 1       | 1       | 1       |
| 18    | 52002-981    | COOKING GRID          | 2       | 2       | 2       | 2       | 2       | 2       |
| 20    | 52005-991    | GRID - WARMING RACK   | 1       | 1       | 1       | 1       | 1       | 1       |
| 21    | 59805-014    | CONTROL ASSEMBLY      | 1       | •       | •       | •       | •       | •       |
|       | 59805-017    | CONTROL ASSEMBLY      | •       | 1       | •       | •       | •       | •       |
|       | 59805-034    | CONTROL ASSEMBLY      | •       | •       | 1       | •       | •       | •       |
|       | 59805-037    | CONTROL ASSEMBLY      | •       | •       | •       | •       | •       | •       |
|       | 59805-074    | CONTROL ASSEMBLY      | •       | •       | •       | •       | •       | •       |
|       | 59805-077    | CONTROL ASSEMBLY      | •       | •       | •       | •       | •       | •       |
| 22    | 22025-904    | COLLECTOR BOX         | 1       | 1       | 1       | 1       | 1       | 1       |
| 24    | 10111-16A    | CONNECTOR HOSE        | 1       | 1       | 1       | 1       | 1       | 1       |
| 25    | 52929-104LP  | BURNER                | 1/0     | 1/0     | 1/0     | 1/0     | 1/0     | 1/0     |
|       | 52929-104NG  | BURNER                | 0/1     | 0/1     | 0/1     | 0/1     | 0/1     | 0/1     |
| 26    | 52002-298A   | CONTROL KNOB          | 4       | 4       | 4       | 4       | 4       | 4       |
| 27    | 52001-298A   | CONTROL KNOB          | •       | 1       | 2       | •       | 1       | 2       |
| 28    | 52025-124CRO | CONTROL COVER         | 1       | •       | •       | 1       | •       | •       |
|       | 52025-244CRO | CONTROL COVER         | •       | 1       | •       | •       | 1       | •       |
|       | 52025-304CRO | CONTROL COVER         | •       | •       | 1       | •       | •       | 1       |
| 31    | 52009-918    | EDGE CAP - LH         | 1       | 1       | 1       | 1       | 1       | 1       |
| 32    | 52009-938    | EDGE CAP - RH         | 1       | 1       | 1       | 1       | 1       | 1       |
| 34    | S13473-091   | HOSE-SIDE BURNER      | •       | 1/0     | 1/0     | •       | 1/0     | 1/0     |
|       | S13473-132   | HOSE-SIDE BURNER      | •       | 0/1     | 0/1     | •       | 0/1     | 0/1     |
| 34A   | Y-11230      | COTTER PIN            | •       | 1       | 1       | •       | 1       | 1       |
| 35    | 52039-101    | SIDE BRACE            | 2       | 2       | 2       | 2       | 2       | 2       |
| 36    | 52809-957    | TUBE-REAR BURNER ASSY | •       | •       | 1       | •       | •       | 1       |
| 37    | 53139-908    | SHELF BRACKET SUPPORT | 4       | 4       | 4       | 4       | 4       | 4       |
| 38    | Y-12620      | SHELF LOCK CLIP       | 4       | 4       | 4       | 4       | 4       | 4       |
| 39    | 52045-111    | BRACE - FRONT / REAR  | 2       | 2       | 2       | 2       | 2       | 2       |
| 40    | 10114-16     | HOSE & REGULATOR      | 1/0     | 1/0     | 1/0     | 1/0     | 1/0     | 1/0     |
|       | 10111-K45    | HOSE NATURAL GAS      | 0/1     | 0/1     | 0/1     | 0/1     | 0/1     | 0/1     |
| 41    | 10342-E13    | ELECTRODE             | 1       | 1       | 1       | 1       | 1       | 1       |
| 42    | 10342-E22    | ELECTRODE             | 1       | 1       | 1       | 1       | 1       | 1       |



**PARTS LIST / LISTE DES PIÈCES**

| <u>KEY #</u> | <u>ITEM #</u> | <u>DESCRIPTION</u>     | <u>DESCRIPTION</u>           | <u>8652-54</u> | <u>8652-57</u> | <u>8652-64</u> | <u>8652-67</u> | <u>8652-84</u> | <u>8652-87</u> | <u>8653-54</u> | <u>8653-57</u> | <u>8653-64</u> | <u>8653-67</u> | <u>8653-84</u> |
|--------------|---------------|------------------------|------------------------------|----------------|----------------|----------------|----------------|----------------|----------------|----------------|----------------|----------------|----------------|----------------|
| 44           | 10342-42      | ELECTRONIC IGNITOR     | ALLUMAGE ÉLECTRONIQUE        | 1              |                |                |                |                |                | 1              |                |                |                |                |
|              | 10342-43      | ELECTRONIC IGNITOR     | ALLUMAGE ÉLECTRONIQUE        |                |                | 1              |                |                |                |                |                |                |                | 1              |
|              | 10342-44      | ELECTRONIC IGNITOR     | ALLUMAGE ÉLECTRONIQUE        |                |                |                |                | 1              |                |                |                |                |                | 1              |
| 44A          | 25070-925     | WIRE - IGNITOR         | FIL ÉLECTRIQUE - ALLUMAGE    | 1              |                | 1              |                | 1              |                | 1              |                |                |                | 1              |
| 44B          | 25070-91      | BUTTON - IGNITOR       | BOUTON - ALLUMAGE            | 1              |                | 1              |                | 1              |                | 1              |                |                |                | 1              |
| 48           | 52004-007     | DRIP PAN               | CUVETTE A GRAISSE            | 1              |                | 1              |                | 1              |                | 1              |                |                |                | 1              |
| 49           | 51009-007     | GREASE PAN             | PLATEAU A GRAISSE            | 1              |                | 1              |                | 1              |                | 1              |                |                |                | 1              |
| 50           | 52059-101     | GREASE RAIL            | SUPPORT DE PLATEAU A GRAISSE | 1              |                | 1              |                | 1              |                | 1              |                |                |                | 1              |
| 51           | 52009-104     | FLAV-R-WAVE ®          | FLAV-R-WAVE ®                | 4              |                | 4              |                | 4              |                | 4              |                |                |                | 4              |
| 56           | 24005-12A     | HANDLE                 | POIGNÉE                      | 1              |                | 1              |                | 1              |                | 1              |                |                |                | 1              |
| 58           | 24009-936     | BEZEL                  | MONTURE                      | 2              |                | 2              |                | 2              |                | 2              |                |                |                | 2              |
| 59           | 10081-BK630   | NAMEPLATE              | PLAQUE D'IDENTIFICATION      | 1              |                | 1              |                | 1              |                | 1              |                |                |                | 1              |
| 60           | 10571-6       | HEAT INDICATOR         | INDICATEUR DE CHALEUR        | 1              |                | 1              |                | 1              |                | 1              |                |                |                | 1              |
| 65           | 20005-000     | MATCH LIGHT - STICK    | ALLUMETTES                   | 1              |                | 1              |                | 1              |                | 1              |                |                |                | 1              |
| 68           | 51275-111A    | DOOR                   | PORTE                        | 1              |                | 1              |                | 1              |                |                |                |                |                | 1              |
|              | 51275-114A    | DOOR                   | PORTE                        |                |                |                |                |                |                | 1              |                |                |                | 1              |
| 69           | 51275-131A    | DOOR                   | PORTE                        | 1              |                | 1              |                | 1              |                |                |                |                |                | 1              |
|              | 51275-134A    | DOOR                   | PORTE                        |                |                |                |                |                |                | 1              |                |                |                | 1              |
| 70           | 21071-13      | HANDLE                 | POIGNÉE                      | 2              |                | 2              |                | 2              |                | 2              |                |                |                | 2              |
| 71           | 21070-13      | BEZEL                  | MONTURE                      | 4              |                | 4              |                | 4              |                | 4              |                |                |                | 4              |
| 78           | 56039-211     | MAGNET BRACKET         | SUPPORT - CROCHET DE PORTE   | 1              |                | 1              |                | 1              |                | 1              |                |                |                | 1              |
| 80           | 51189-101     | SIDE PANEL             | PANNEAU LATÉRALE             | 2              |                | 2              |                | 2              |                | 2              |                |                |                | 2              |
| 81           | Y-11992       | SCREW 1/4-20 x 2 1/4   | VIS 1/4-20 x 2 1/4           | 4              |                | 4              |                | 4              |                | 4              |                |                |                | 4              |
| 83           | 51239-901     | CABINET BRACKET        | SUPPORT DE CABINET           | 1              |                | 1              |                | 1              |                | 1              |                |                |                | 1              |
| 87           | Y-11793       | NUT 1/4-20             | ÉCROU 1/4-20                 | 2              |                | 2              |                | 2              |                | 2              |                |                |                | 2              |
| 88           | 21305-921     | PANEL - REAR           | PANNEAU - ARRIÈRE            | 1              |                | 1              |                | 1              |                | 1              |                |                |                | 1              |
| 90           | 51625-141     | BASE                   | TABLETTE INFÉRIEURE          | 1/0            |                | 1/0            |                | 1/0            |                | 1/0            |                |                |                | 1/0            |
|              | 51625-171     | BASE                   | TABLETTE INFÉRIEURE          | 0/1            |                | 0/1            |                | 0/1            |                | 0/1            |                |                |                | 0/1            |
| 99           | 32001-151     | CASTOR BRACKET CAP     | CASQUETTE                    | 4              |                | 4              |                | 4              |                | 4              |                |                |                | 4              |
| 100          | 51639-108     | CASTOR BRACKET         | SUPPORT DE ROULETTE          | 2              |                | 2              |                | 2              |                | 2              |                |                |                | 2              |
| 101          | 51039-101     | CASTOR BRACKET SUPPORT | SUPPORT                      | 2              |                | 2              |                | 2              |                | 2              |                |                |                | 2              |
| 102          | 10892-286     | CASTOR                 | ROULETTES                    | 4              |                | 4              |                | 4              |                | 4              |                |                |                | 4              |
| 103          | 21009-951     | TANK BRACKET           | SUPPORT DU RESERVOIR         | 1/0            |                | 1/0            |                | 1/0            |                | 1/0            |                |                |                | 1/0            |
| 107          | Y-12870       | WASHER                 | RONDELLE                     | 8              |                | 8              |                | 8              |                | 8              |                |                |                | 8              |
| 113          | 10342-T14     | SIDE BURNER ELECTRODE  | ELECTRODE                    | 1              |                | 1              |                | 1              |                | 1              |                |                |                | 1              |
| 114          | 53151-611     | SHELF - RIGHT          | PLANCHETTE LATÉRALE          | 1              |                | 1              |                | 1              |                | 1              |                |                |                | 1              |
| 115          | 53151-611     | SHELF - LEFT           | PLANCHETTE LATÉRALE          | 1              |                |                |                |                |                | 1              |                |                |                | 1              |
|              | 53151-651     | SHELF - SB - LEFT      | PLANCHETTE LATÉRALE          |                |                | 1              |                | 1              |                | 1              |                |                |                | 1              |
| 123          | Y-12117       | BUSHING                | DOUILLE                      |                |                | 2              |                | 2              |                | 2              |                |                |                | 2              |
| 124          | 23000-271     | SIDE BURNER BODY       | SUPPORT DE BRULEUR DE COTE   |                |                | 1              |                | 1              |                | 1              |                |                |                | 1              |
| 125          | 23000-251     | SIDE BURNER COVER      | COUVERCLE LATÉRAL            |                |                | 1              |                | 1              |                | 1              |                |                |                | 1              |
| 126          | 10390-E10     | SIDE BURNER            | BRULEUR DE COTE              |                |                | 1              |                | 1              |                | 1              |                |                |                | 1              |





