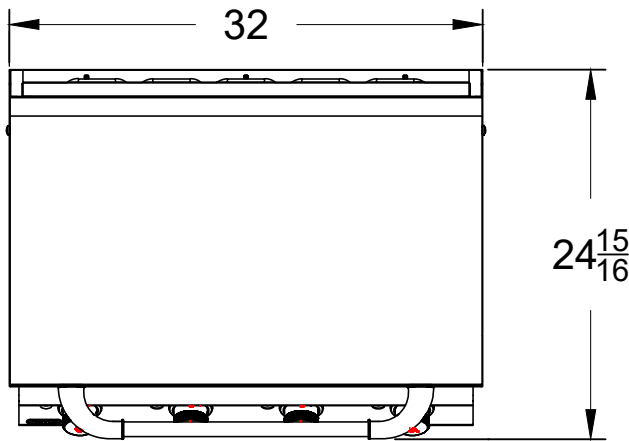


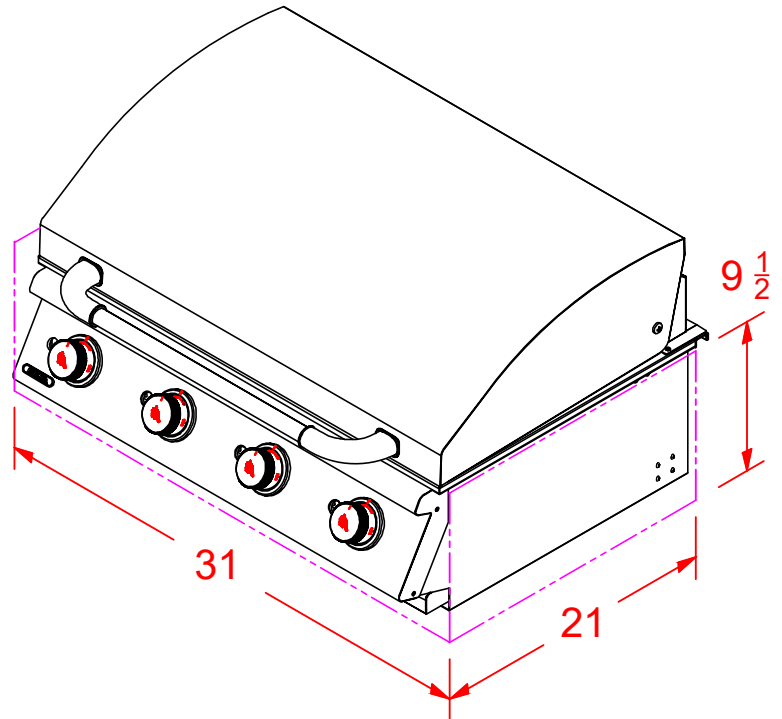


WWW.BULLBBQ.COM

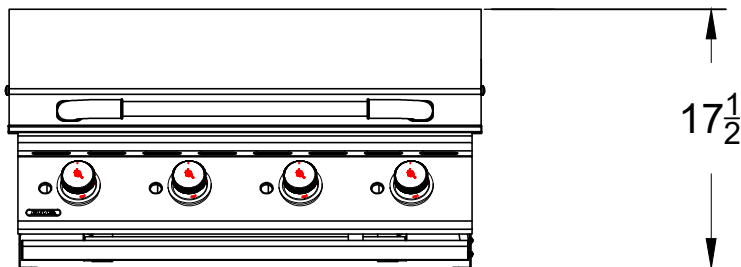
SPEC SHEET
ITEM # 92008 LP & 92009 NG
30" COMMERCIAL GRIDDLE



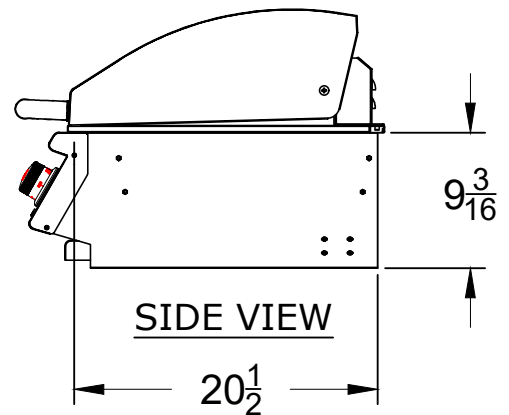
TOP VIEW



PERSPECTIVE VIEW
WITH INSTALLATION
CUT OUT DIMENSIONS



FRONT VIEW



SIDE VIEW

NOTES:

- 1) ALL DIMENSIONS ARE IN INCH UNITS
- 2) REFER TO PERSPECTIVE VIEW FOR INSTALLATION CUTOUT DIMENSIONS.
- 3) FINISHING FRAME CAN BE PURCHASED FROM BULL REFER TO ITEM# 49328